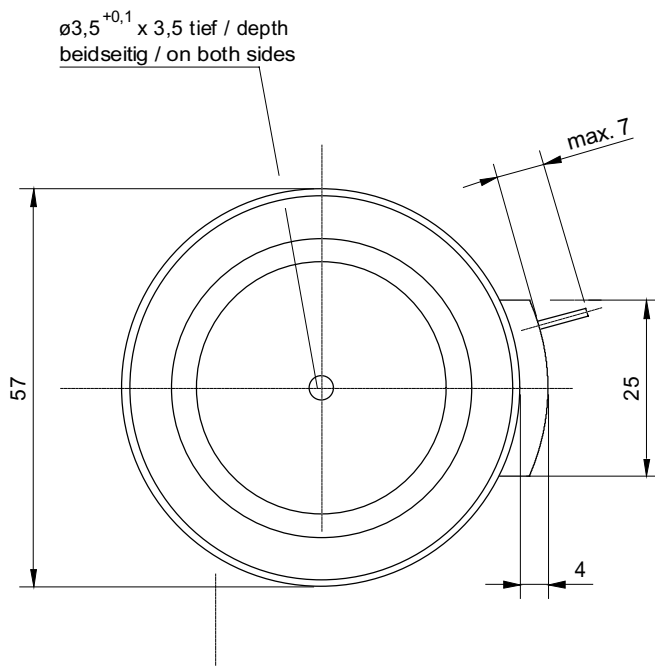
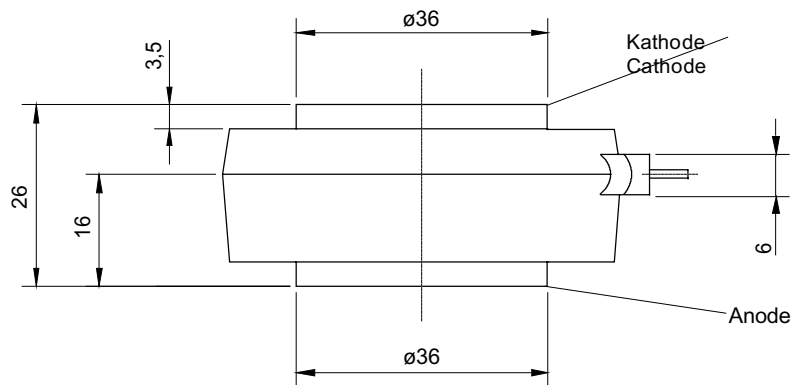


European Power-Semiconductor and Electronics Company GmbH + Co. KG

Leistungsgleichrichterdioden Power Rectifier Diodes D 1029 N



D 1029 N

Elektrische Eigenschaften

Electrical properties

Höchstzulässige Werte

Maximum rated values

Periodische Spitzensperrspannung	repetitive peak reverse voltage	$t_{vj} = -40^{\circ}\text{C} \dots t_{vj \max}$	V_{RRM}	1800, 2000, 2200 2400, 2600	V V
Stoßspitzensperrspannung	non-repetitive peak reverse voltage	$t_{vj} = +25^{\circ}\text{C} \dots t_{vj \max}$	$V_{RSM} = V_{RRM}$	+ 100	V
Durchlaßstrom-Grenzeffektivwert	RMS forward current		I_{FRMSM}	2,04	kA
Dauergrenzstrom	mean forward current	$t_c = 100^{\circ}\text{C}$ $t_c = 75^{\circ}\text{C}$	I_{FAVM}	1,03 1,3	kA kA
Stoßstrom-Grenzwert	surge forward current	$t_{vj} = 25^{\circ}\text{C}, t_p = 10 \text{ ms}$ $t_{vj} = t_{vj \max}, t_p = 10 \text{ ms}$	I_{FSM}	17 14,5	kA kA
Grenzlastintegral	$I^2 t$ -value	$t_{vj} = 25^{\circ}\text{C}, t_p = 10 \text{ ms}$ $t_{vj} = t_{vj \max}, t_p = 10 \text{ ms}$	$I^2 t$	1445 1051	kA^2s kA^2s

Charakteristische Werte

Characteristic values

Durchlaßspannung	on-state voltage	$t_{vj} = t_{vj \max}, i_F = 4 \text{ kA}$	V_T	max.	2,05	V
Schleusenspannung	threshold voltage	$t_{vj} = t_{vj \max}$	$V_{T(TO)}$		0,82	V
Ersatzwiderstand	slope resistance	$t_{vj} = t_{vj \max}$	r_T		0,28	m Ω
Sperrstrom	reverse current	$t_{vj} = t_{vj \max}, V_R = V_{RRM}$	i_R	max.	40	mA

Thermische Eigenschaften

Thermal properties

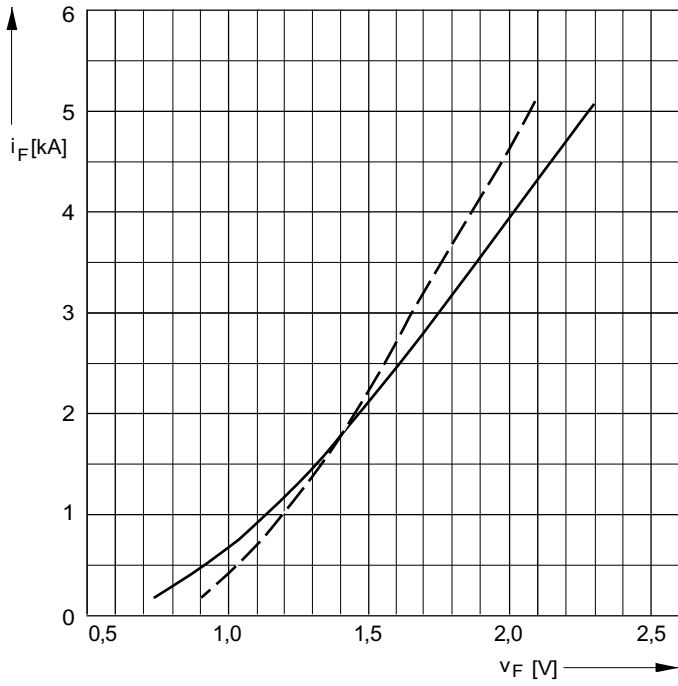
Innerer Widerstand	thermal resistance, junction to case	beidseitig/two-sided, $\Theta = 180^{\circ} \sin$	R_{thJC}	max.	0,038	$^{\circ}\text{C/W}$
		beidseitig/two sided, DC		max.	0,035	$^{\circ}\text{C/W}$
		Anode/anode, $\Theta = 180^{\circ} \sin$		max.	0,064	$^{\circ}\text{C/W}$
		Anode/anode, DC		max.	0,061	$^{\circ}\text{C/W}$
		Kathode/cathode, $\Theta = 180^{\circ} \sin$		max.	0,085	$^{\circ}\text{C/W}$
		Kathode/cathode, DC		max.	0,082	$^{\circ}\text{C/W}$
Übergangs-Wärmewiderstand	thermal resistance, case to heatsink	beidseitig /two-sided	R_{thCK}	max.	0,005	$^{\circ}\text{C/W}$
		einseitig /single-sided		max.	0,010	$^{\circ}\text{C/W}$
Höchstzul. Sperrschichttemperatur	max. junction temperature		$t_{vj \max}$		160	$^{\circ}\text{C}$
Betriebstemperatur	operating temperature		$t_{c \text{ op}}$		-40...+150	$^{\circ}\text{C}$
Lagertemperatur	storage temperature		t_{stg}		-40...+150	$^{\circ}\text{C}$

Mechanische Eigenschaften

Mechanical properties

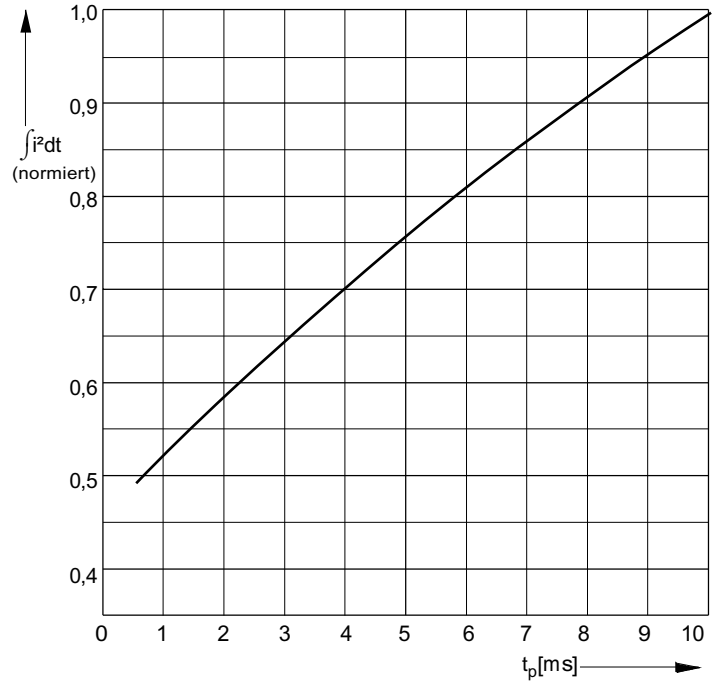
Si-Element mit Druckkontakt	Si-pellet with pressure contact	$\varnothing = 36 \text{ mm}$				
Anpreßkraft	clamping force	Gehäuseform/case design T	F		10...24	kN
Gewicht	weight		G	typ.	280	g
Kriechstrecke	creepage distance				36	mm
Feuchteklasse	humidity classification	DIN 40040				C
Schwingfestigkeit	vibration resistance	$f = 50 \text{ Hz}$			50	m/s^2
Maßbild	outline					

D 1029 N



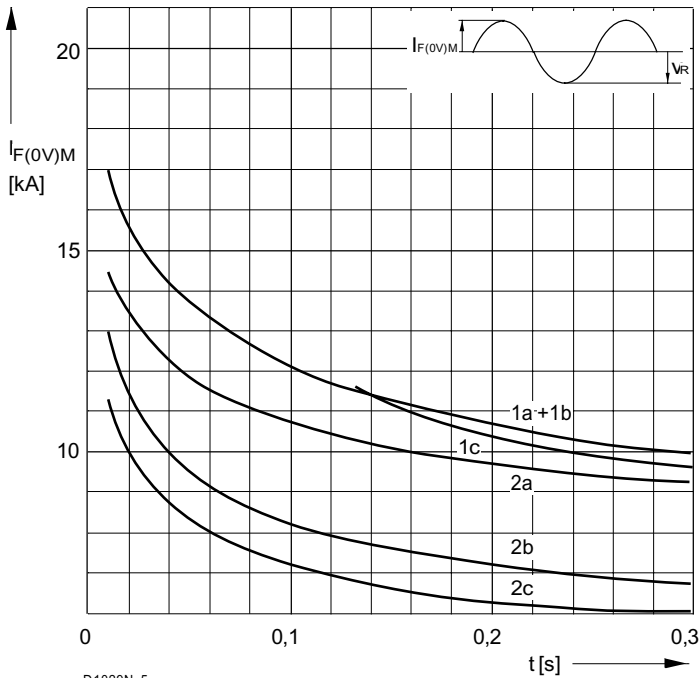
D1029N_1

Bild / Fig. 1
Grenzdurchlaßkennlinie
Limiting forward characteristic $i_F = f(v_F)$
— $t_{vj} = 160^\circ\text{C}$
- - - $t_{vj} = 25^\circ\text{C}$



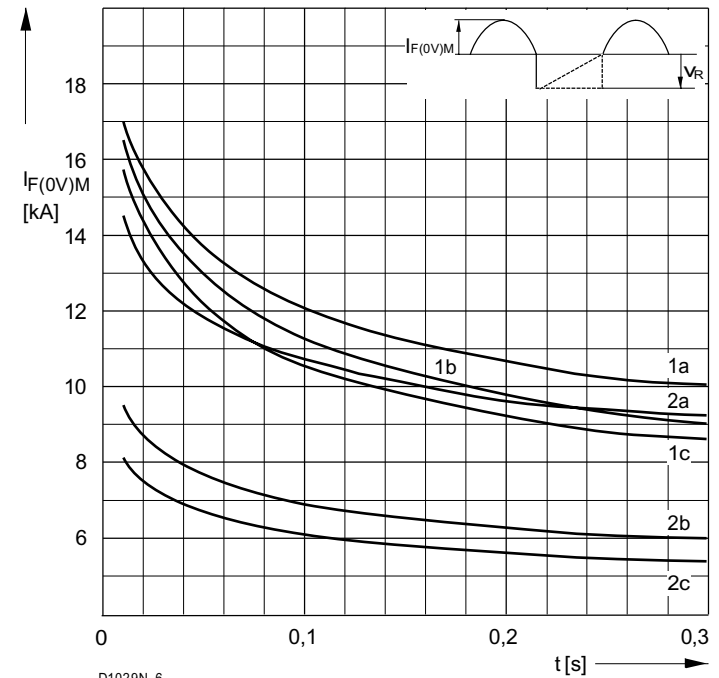
D1029N_4

Bild / Fig. 2
Normiertes Grenzlasterintegral / Normalized $i^2 t$
 $\int i^2 dt = f(t_p)$



D1029N_5

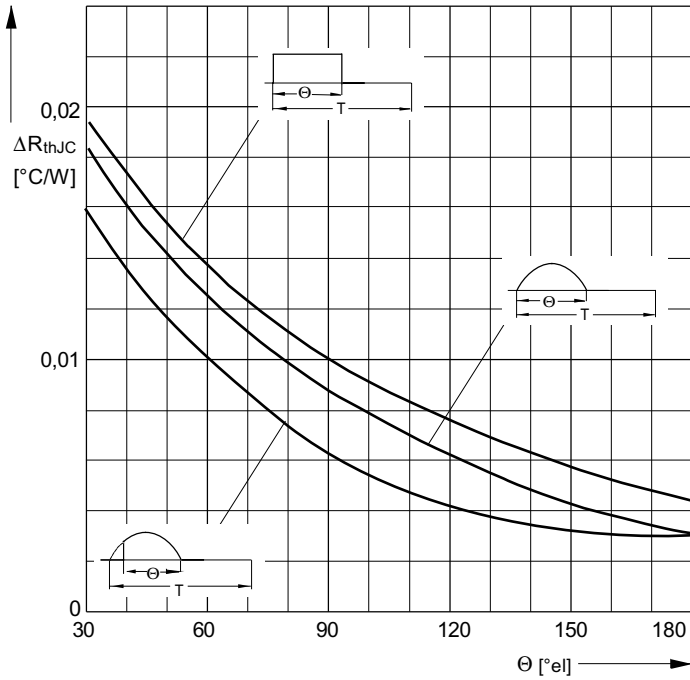
Bild / Fig. 3
Grenzstrom / Maximum overload forward current $I_{F(0V)M} = f(t)$
1 - $I_{FAV(vor)} = 0\text{ A}$; $t_{vj} = t_c = 25^\circ\text{C}$
2 - $I_{FAV(vor)} = 1030\text{ A}$; $t_c = 100^\circ\text{C}$; $t_{vj} = 160^\circ\text{C}$
a - $v_R \leq 50\text{ V}$
b - $v_R = 0,5\text{ VRRM}$
c - $v_R = 0,8\text{ VRRM}$



D1029N_6

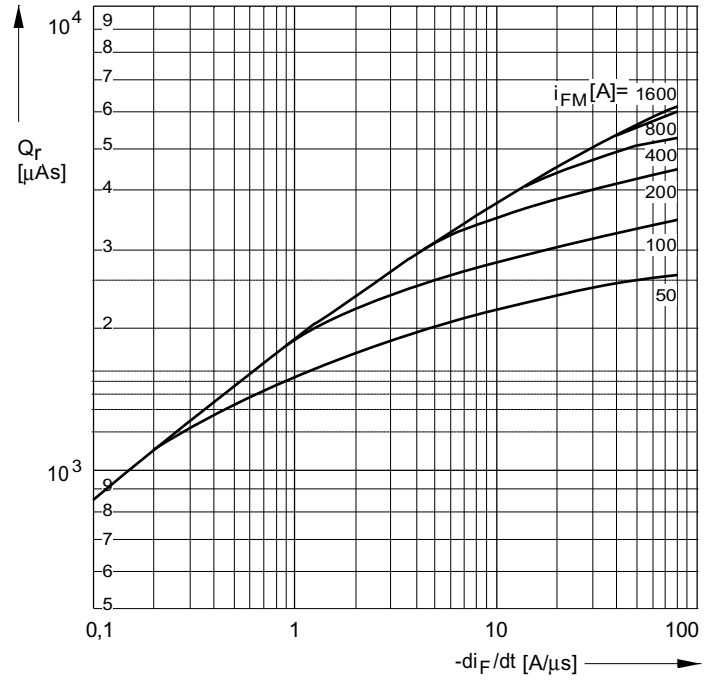
Bild / Fig. 4
Grenzstrom / Maximum overload forward current $I_{F(0V)M} = f(t)$
1 - $I_{FAV(vor)} = 0\text{ A}$; $t_{vj} = t_c = 25^\circ\text{C}$
2 - $I_{FAV(vor)} = 1030\text{ A}$; $t_c = 100^\circ\text{C}$; $t_{vj} = 160^\circ\text{C}$
a - $v_R \leq 50\text{ V}$
b - $v_R = 0,5\text{ VRRM}$
c - $v_R = 0,8\text{ VRRM}$

D 1029 N



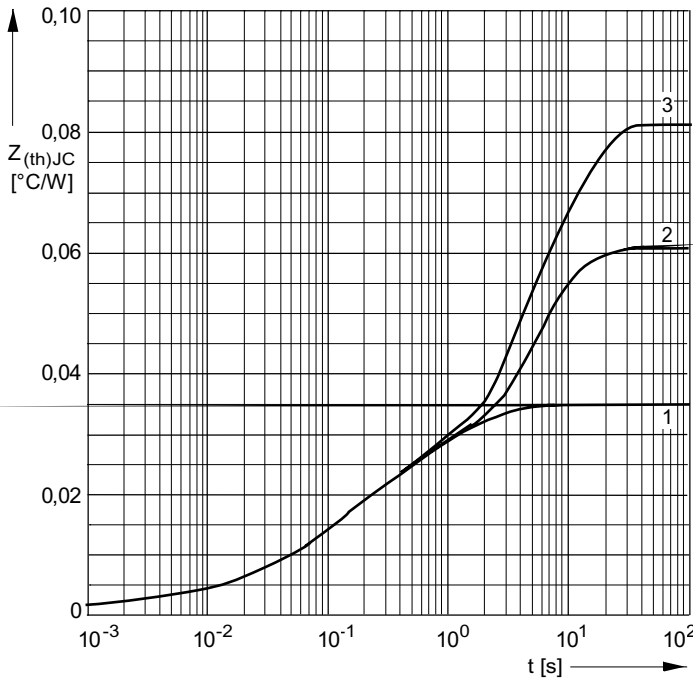
D1029N_3

Bild / Fig. 5
 Differenz zwischen den Wärmewiderständen für Pulsstrom und DC
 Difference between the values of thermal resistance for pulse current and DC
 Parameter: Stromkurvenform / Current waveform



D1029N_7

Bild / Fig. 6
 Sperrverzögerungsladung / Recovered charge $Q_r = f(-di_F/dt)$
 $t_{vj} \leq t_{vjmax}$; $V_R \leq 0,5 V_{RRM}$; $V_{RM} = 0,8 V_{RRM}$
 Beschaltung / Snubber: $C = 1 \mu F$; $R = 3,9 \Omega$
 Parameter: Durchlaßstrom / Forward current i_{FM}



D1029N_2

Bild / Fig. 7
 Transienter innerer Wärmewiderstand
 Transient thermal impedance $Z_{thJC} = f(t)$, DC
 1 - Beidseitige Kühlung / Two-sided cooling
 2 - Anodenseitige Kühlung / Anode-sided cooling
 3 - Kathodenseitige Kühlung / Cathode-sided cooling

Analytische Elemente des transienten Wärmewiderstandes Z_{thJC} für DC
 Analytical elements of transient thermal impedance Z_{thJC} for DC

Kühlg. Cooling	Pos. n	1	2	3	4	5	6	7
1	R_{thn} °C/W	0,00017	0,00338	0,00429	0,0131	0,01406		
	τ_n [s]	0,000272	0,00261	0,0417	0,173	0,999		
2	R_{thn} °C/W	0,000221	0,003179	0,00357	0,01713	0,0369		
	τ_n [s]	0,00033	0,0026	0,0297	0,182	5,83		
3	R_{thn} °C/W	0,000218	0,003052	0,00216	0,0169	0,00537	0,0543	
	τ_n [s]	0,00032	0,00254	0,01790	0,146	6,65	6,82	

- 1 - Beidseitige Kühlung / Two-sided cooling
- 2 - Anodenseitige Kühlung / Anode-sided cooling
- 3 - Kathodenseitige Kühlung / Cathode-sided cooling

Analytische Funktion / Analytical function:

$$Z_{thJC} = \sum_{n=1}^{n_{max}} R_{thn} (1 - \exp(-t/\tau_n))$$

Terms & Conditions of Usage

Attention

The present product data is exclusively subscribed to technically experienced staff. This Data Sheet is describing the specification of the products for which a warranty is granted exclusively pursuant the terms and conditions of the supply agreement. There will be no guarantee of any kind for the product and its specifications. Changes to the Data Sheet are reserved.

You and your technical departments will have to evaluate the suitability of the product for the intended application and the completeness of the product data with respect to such application. Should you require product information in excess of the data given in the Data Sheet, please contact your local Sales Office via "www.eupec.com / sales & contact".

Warning

Due to technical requirements the products may contain dangerous substances. For information on the types in question please contact your local Sales Office via "www.eupec.com / sales & contact".