



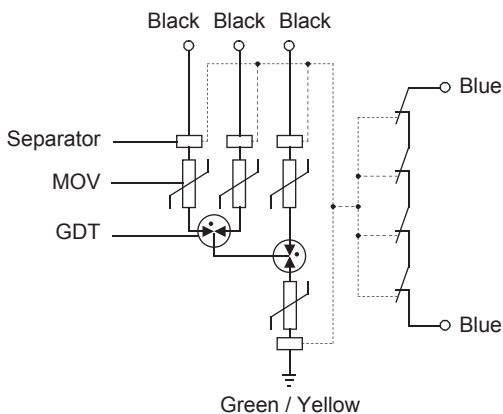
Features

- SPD with a fail safe function to prevent short-circuit (separation of circuit and alarm contact that is easily to found the timing of changing the products)
- Compliance with IEC 61643-1 that meets the new JIS standards
- Against indirect lightning surge for three phase power supplies
- Quick response for surge
- Impulse current capacity: 8/20 μ s-5,000A
- Impulse test category: Class II (Type II)
- Every pathway consists of same elements. Between line and line/between lines and ground can protect as the same level.

Applications

- Power conditioner for solar photovoltaic system
- Electrical vehicle charger
- LED exterior illumination
- Tapping machine, NC machine, other machine tools
- Lithography equipment, Washing device, IC tester
- Injection molding machine, Winding machine, Surface mounter
- Vehicle air conditioner
- Servo amplifier
- Electric facility, Industrial equipment

Circuit

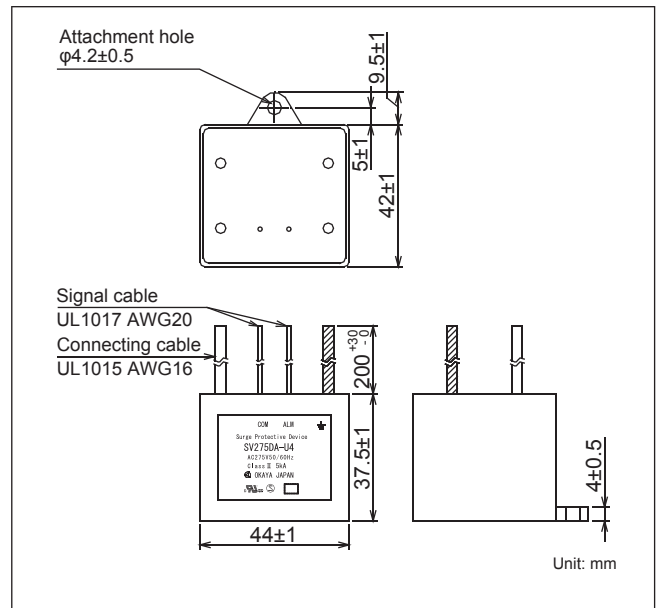


Safety Standard		File No.
UL	:UL1449 *	E322107
cUL	:C22.2 No.8	
SEMKO	:IEC61643-1:2005 2nd :EN61643-11:2002 +A11	SE-65070 1026500

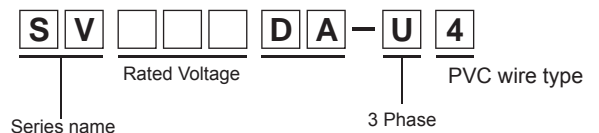
* SCCR=5kA



Dimensions



Model numbering system



Electrical Specifications

Safety Standard	Model Number	Rated Voltage 50/60Hz	DC Operating Voltage (V)	Voltage Protection Level (V)	Normal Discharge Current 8/20 μ s (A)	Max. Discharge Current 8/20 μ s (A)	Surge Current Life 8/20 μ s-1,000A
cUL US S	SV275DA-U4	AC275V	800 \pm 25%	1,500	2,500	5,000	Approx. 500 times