



PARA LIGHT ELECTRONICS CO., LTD.

4F, No.1, Lane 93, Chien Yi Road, Chung Ho City, Taipei, Taiwan
Tel: 886-2-2225-3733 Fax: 886-2-2225-4800
E-mail: para@para.com.tw <http://www.para.com.tw>

DATA SHEET

PART NO. : EP501W4L040WHR

REV : A/1

CUSTOMER'S APPROVAL : _____

DCC : _____

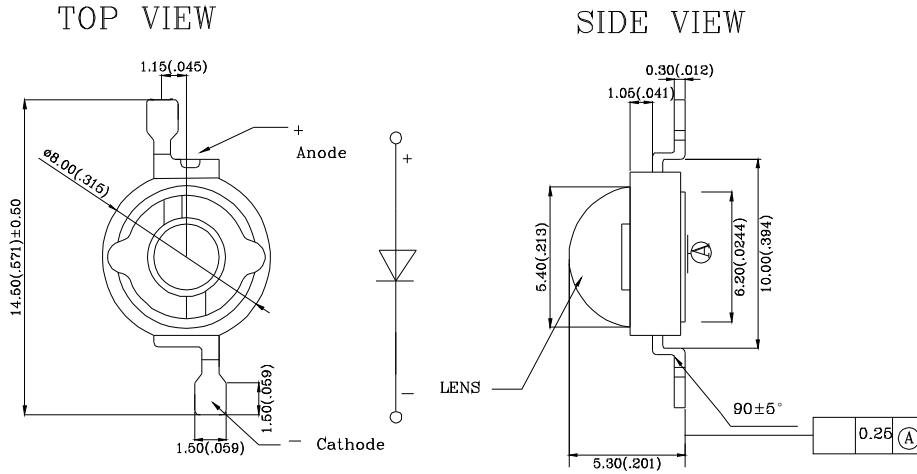


Enhance Power LED

EP501W4L040WHR

REV:A/0

●Package Dimension



Note:

1. All dimensions are in millimeters.
2. Tolerance is ± 0.25mm (.010") unless otherwise noted.

●Features

1. Long operating life.
2. Low voltage DC operated.
3. Instant light (Less than 100NS).
4. RoHS Compliant.
5. Compatible to assemble, lead free reflow soldering process.
6. No UV emission.
7. The led can withstand the max static level when assembling or operation (HBM) .



Enhance Power LED

EP501W4L040WHR

REV:A/0

●Chip Material

1. Dice Material : InGaN
2. Light Color : Neutral White
3. Lens Color : Water Clear

●Absolute Maximum Rating(Ta=25°C)

Symbol	Parameter	Rating	Unit
IF	DC Forward Current	350	mA
I _{pulse}	Peak Pulse Current (t _p ≤ 100us, duty cycle=0.25)	500	mA
VR	Reverse Voltage	5	V
IR	Reverse Current(VR=5V)	50	uA
T _j	LED Junction Temperature(at IF=350mA)	115	°C
*T _{opr}	Operating Temperature	-30 ~ +100	°C
*T _{stg}	Storage Temperature	-40 ~ +100	°C
T _{sol}	Manual Soldering Time at 260°C(Max.)	5	seconds
ESD	ESD Sensitivity (Human Body Model)	2000	V

Note :

* : Temperature for using with aluminum board.

●Electro-Optical Characteristic(Ta=25°C, T_{opr}=100ms)

Parameter	Symbol	Min.	Typ.	Max.	Unit	Test Condition
Luminous Flux	Φ _V		95		lm	IF=350mA
Viewing Angle	2θ _{1/2}		130		deg	
Color Temperature	CCT		3800		K	IF=350mA
Forward Voltage	V _F		3.3	3.6	V	IF=350mA
Reverse Current	IR			50	μA	VR = 5V
Color Rending Index	CRI	80			Ra	IF=350mA

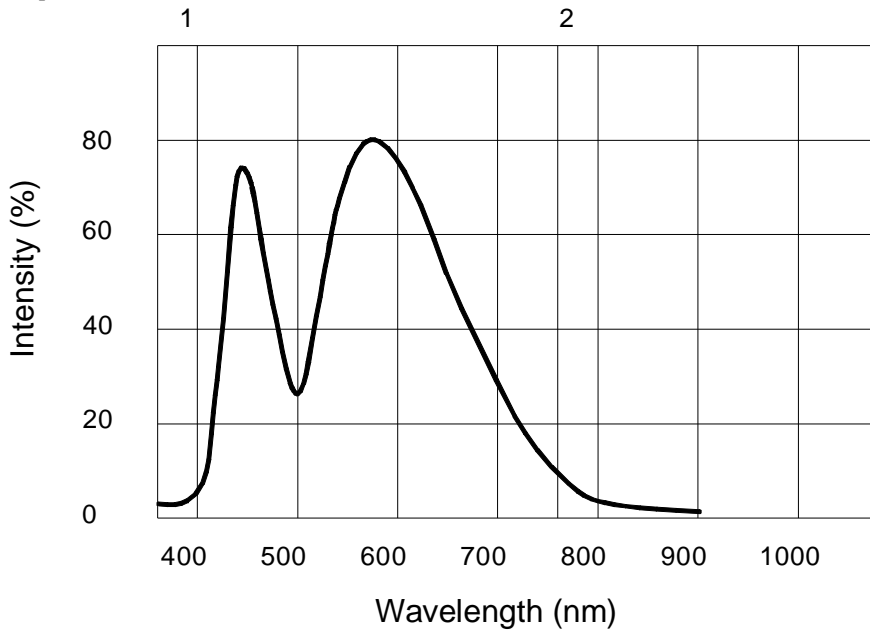


Enhance Power LED

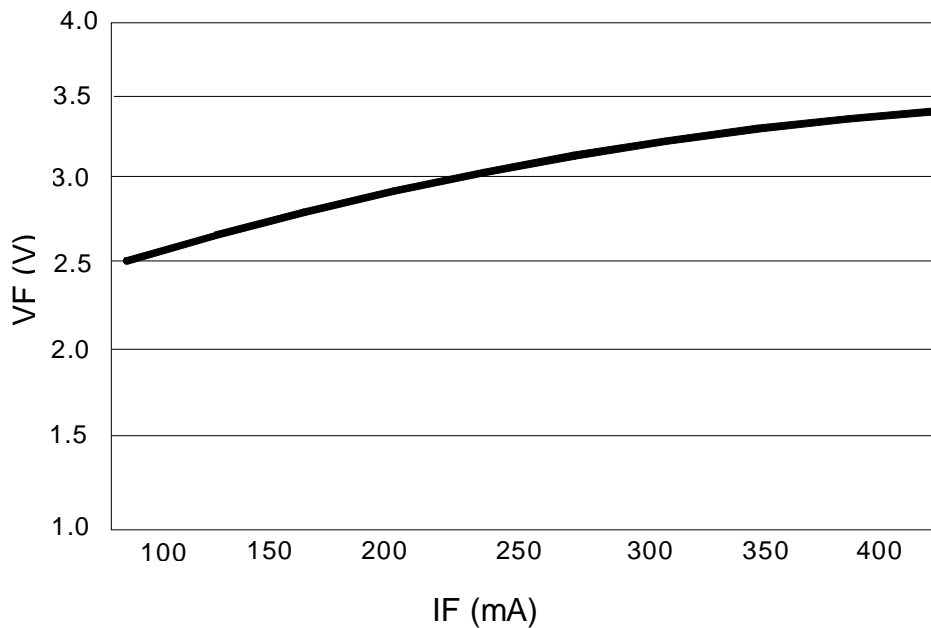
EP501W4L040WHR

REV:A/0

• Typical Optical and Electrical



Relative Intensity VS Wavelength



Forward Current VS Forward Voltage

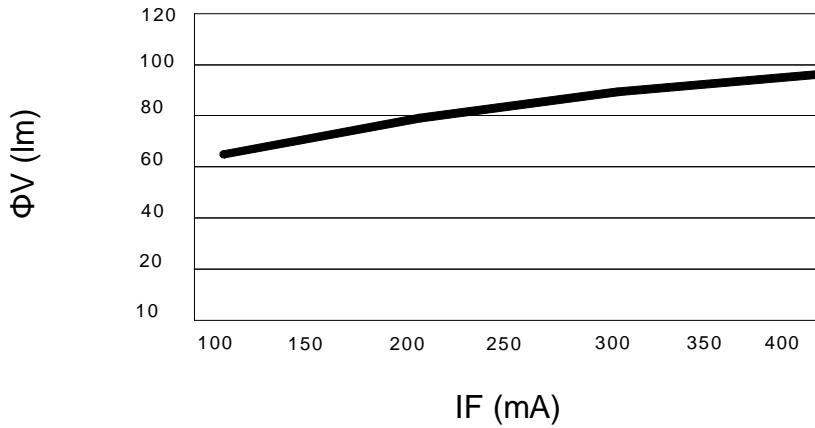


Enhance Power LED

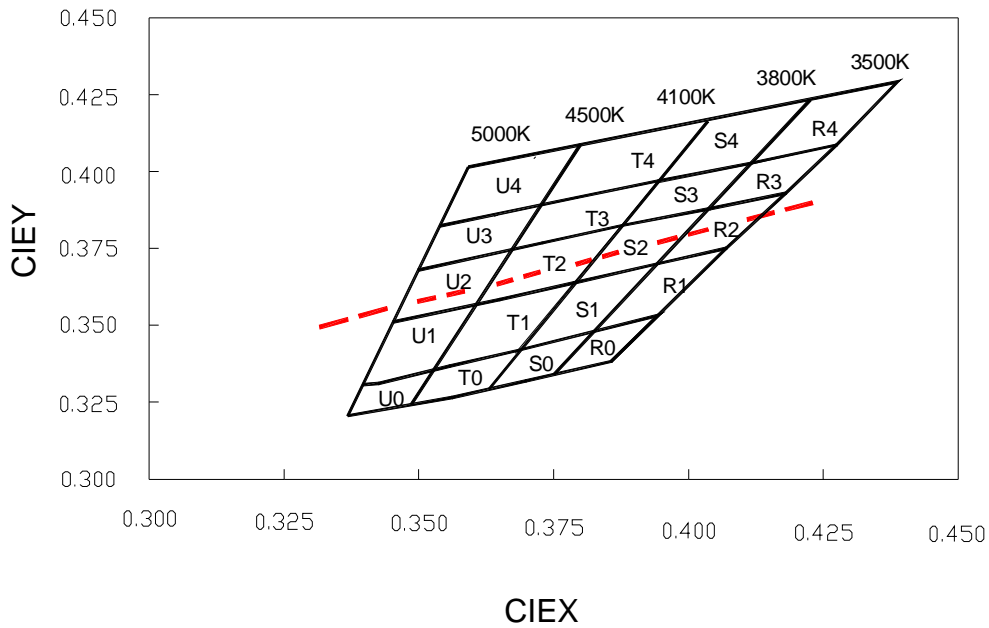
EP501W4L040WHR

REV:A/0

•Typical Optical and Electrical



Forward Current VS Luminous Flux



Neutral-white Bin Structure



Enhance Power LED

EP501W4L040WHR

REV:A/0

Group/ CCT(Typ)	X	Y	Group/ CCT(Typ)	X	Y
R0 3650K	0.39656	0.36728	S0 3900K	0.38259	0.35951
	0.39165	0.35300		0.37850	0.34600
	0.37850	0.34600		0.36700	0.33770
	0.38260	0.35952		0.37058	0.35195
R1 3650K	0.38707	0.37390	S1 3900K	0.37407	0.36582
	0.40211	0.38126		0.38707	0.37389
	0.39656	0.36728		0.38259	0.35951
	0.38260	0.35952		0.37058	0.35193
R2 3650K	0.39237	0.39093	S2 3900K	0.37826	0.38425
	0.38707	0.37390		0.39236	0.39093
	0.40211	0.38126		0.38707	0.37389
	0.40859	0.39953		0.37407	0.36582
R3 3650K	0.40859	0.39953	S3 3900K	0.37826	0.38245
	0.39237	0.39093		0.38110	0.39374
	0.39628	0.40351		0.39267	0.40350
	0.41478	0.41610		0.39236	0.39093
R4 3650K	0.40227	0.42278	S4 3900K	0.38595	0.41299
	0.42094	0.43262		0.40227	0.42277
	0.41478	0.41610		0.39627	0.40350
	0.39268	0.40351		0.38110	0.39374
T0 4300K	0.37058	0.35195	U0 4750K	0.35707	0.34258
	0.36700	0.33770		0.35480	0.32900
	0.35480	0.32900		0.34250	0.32080
	0.35707	0.34285		0.34335	0.33203
T1 4300K	0.35940	0.35569	U1 4750K	0.34444	0.34423
	0.35707	0.34258		0.34335	0.33203
	0.37058	0.35195		0.35707	0.34258
	0.37407	0.36582		0.35940	0.35569
T2 4300K	0.36221	0.37161	U2 4750K	0.36221	0.37161
	0.37826	0.38245		0.35940	0.35569
	0.37407	0.36582		0.34444	0.34423
	0.35940	0.35569		0.34578	0.35919
T3 4300K	0.36421	0.38287	U3 4750K	0.36421	0.38287
	0.38110	0.39374		0.36221	0.37161
	0.38726	0.38245		0.34578	0.35919
	0.36221	0.37161		0.34690	0.37174
T4 4300K	0.36729	0.40029	U4 4750K	0.36421	0.38287
	0.38959	0.41299		0.36729	0.40029
	0.38110	0.39374		0.34814	0.38562
	0.46421	0.38287		0.34690	0.37174



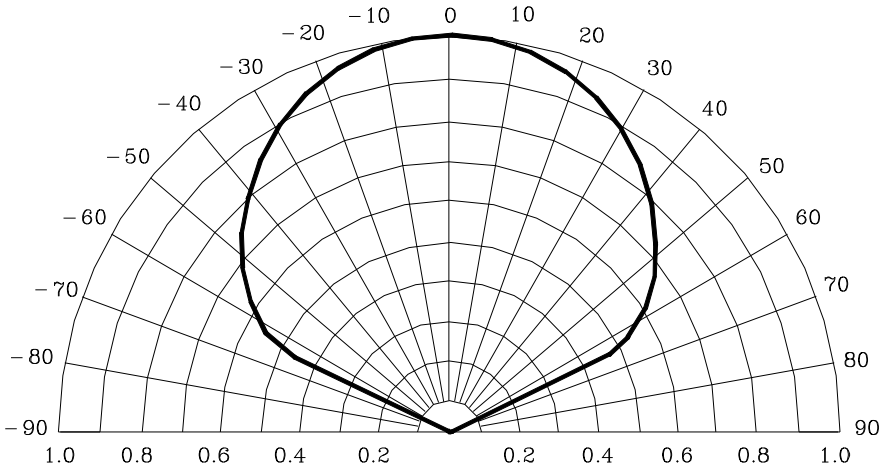
Enhance Power LED

EP501W4L040WHR

REV:A/0

Typical Optical and Electrical

typical polar radiation pattern for lambertian



●Bin Code List

Luminous Flux (IV),(Unit: lm ,IF=350Ma)		
Bin Code	Min	Max
P	80	85
Q	85	90
R	90	100
S	100	110

Including test tolerance $\pm 10\%$

Forward Voltage(VF),(Unit: V, IF=350mA)		
Bin Code	Min	Max
V8	3.00	3.20
V9	3.20	3.40
V10	3.40	3.60

Including test tolerance ± 0.1

色温 CCT, (Unit: K, IF=350mA)		
Bin Code	Min	Max
CCT1	3500	3700
CCT2	3700	3900
CCT3	3900	4100
CCT4	4100	4300



Enhance Power LED

EP501W4L040WHR

REV:A/0

●Label Explanation

P/N:	EP501W4L040WHR	
QTY:	XXXX	PCS
LOT NO.:	LEM1001001	
BIN NO.:	O/V10	

PART NO: EP501W4L040WHR

LOT NO: L E M 10 1 001
A B C D E F

- A---L: Local F: Foreign
- B---E: E-power
- C---M: For series number
- D---Year
- E---Month
- F---Spec.
- BIN NO: Bin Code

●Caution

(1).Handling note: Do not touch LED's lens.





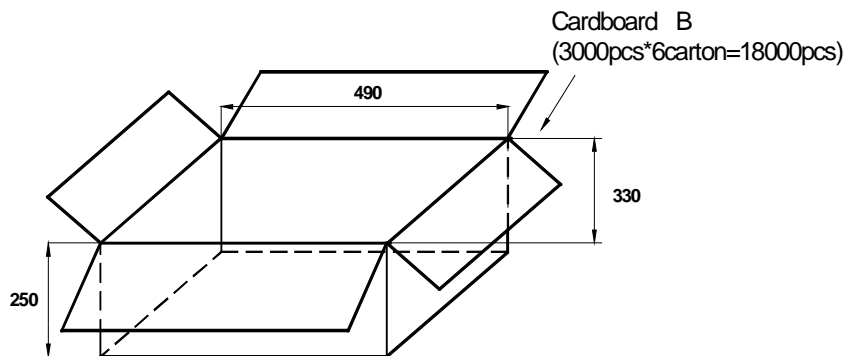
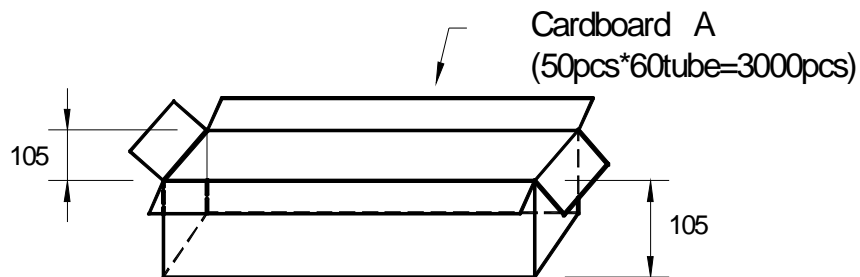
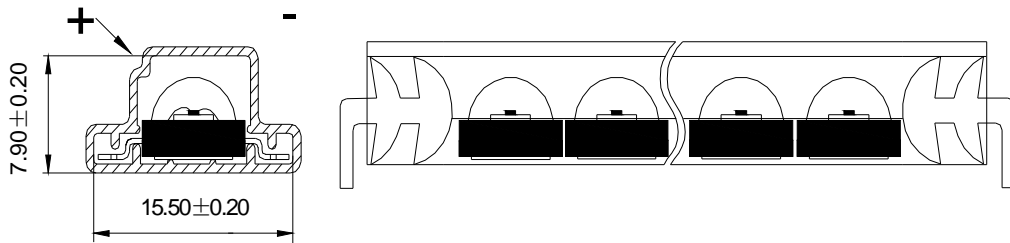
Enhance Power LED
EP501W4L040WHR

REV:A/0

(2) Please wear anti-static wrist strap and gloves to prevent ESD damage when handling.



●Packing Specification



Note:

1. All dimensions are in millimeters.
2. Normal packing Quantity:3000pcs.
3. The carton B contains 6 cartons A at maximum.

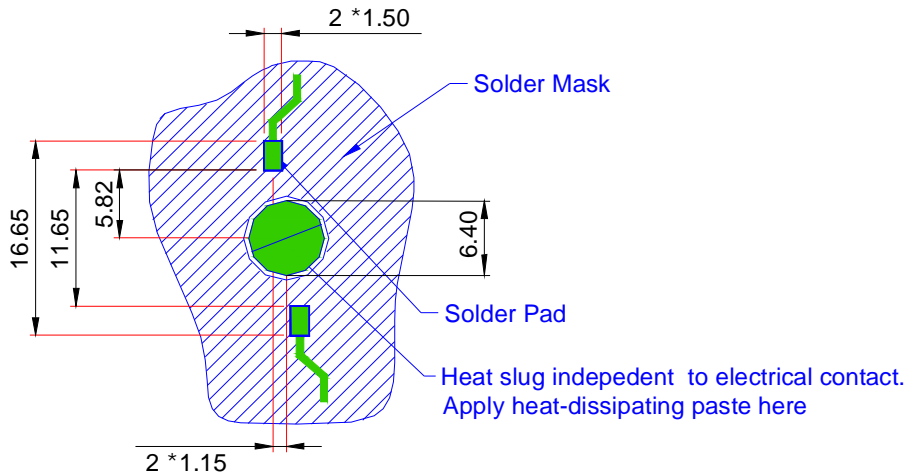


Enhance Power LED

EP501W4L040WHR

REV: A/0

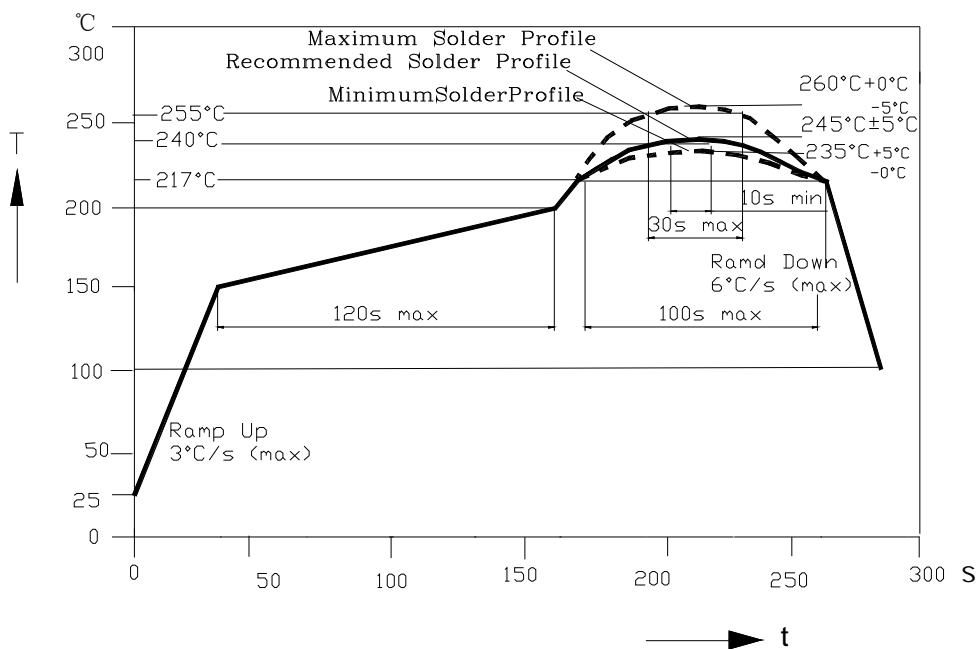
●Suggest Soldering Pad Dimension



Note:

1. All dimensions are in millimeters.
2. The drawings are not to scale.
3. Solder pad can't be connected to slug.

●IR Reflow soldering profile for lead free soldering(J-STD-020C)





Enhance Power LED

EP501W4L040WHR

REV:A/0

●Storage

1. Do not open the moisture proof bag before the devices are ready to use.
2. Before the package is opened, LED should be stored at temperatures less than 30°C and humidity less than 50%.
3. LED may be stored for 6 months. When the storage time has reached more than 6 months, LED should be stored in a sealed container filled with Nitrogen gas.
4. After the package is opened, LED should be stored at temperatures less than 30°C and humidity less than 30%.
5. LED should be used within 168 hours (7 days) after the package is opened.
6. Before using LED, baking treatment should be implemented based on the following condition: pre-curing at 60±5°C for 24 hours.

●E-Power Operating Procedure

1. E-power 350 series products should be operated at 350 mA for ideal performance, but not more than 350mA.
2. E-power 350 series products must be used in conjunction with heat-sinking devices. Soldering on Al PCB with mid-connection point while keeping the layout pattern (∅ 19.9mm, thickness 2.5mm) is another way to help heat dissipation. Thermal Resistance for aluminum board must be less than 0.65 °C/W.
3. E-power 350 series products are sensitive to static. Operators must wear static wristband (wireless static wristband is prohibited) and be well grounded while working in the environment with an ionizing air blower. Anti-static requirement should be under ESD 2000V.
4. A non-conductive heat-dissipating paste should be applied between E-power and heat-sinking device.
5. Sufficient thermal management must be applied. Large LED forward current will cause high junction temperature and reduce LED life.



Enhance Power LED

EP501W4L040WHR

REV:A/0

●Reliability Test

Test Item	number	Test Condition	Stress duration	result
Reflow	100pcs	Tsol=260°C,10sec	3 times	No Failure
Temperature Cycle	20pcs	H:+100±5°C 15mins L: -40±5°C	300 Cycles	No Failure
High Temperature High Humidity Operation	20pcs	Ta=85°C±5°C RH= 90~95% IF=350mA	500 hours	No Failure
High Temperature High Humidity Storage	20pcs	Ta:65°C±5°C RH:90~95%RH	1000hours	No Failure
Room Temperature Operation	20pcs	Ta= 25±5°C IF =350mA	1000hours	No Failure
Low Temperature Operation	20pcs	Ta= -40±5°C IF=350mA	1000hours	No Failure
High Temperature Operation	20pcs	Ta= 110±5°C IF=350mA	1000hours	No Failure
Salt Spray	20pcs	Ta=35°C	48 hours	No Failure

Temperature for using with aluminum board, in a good thermal-exchange surrounding.

Failure Criteria:

1. LED are open or shorted,
2. Luminous flux attenuate difference(1000hours)>30%,
3. Forward voltage difference(1000hours) >20%.



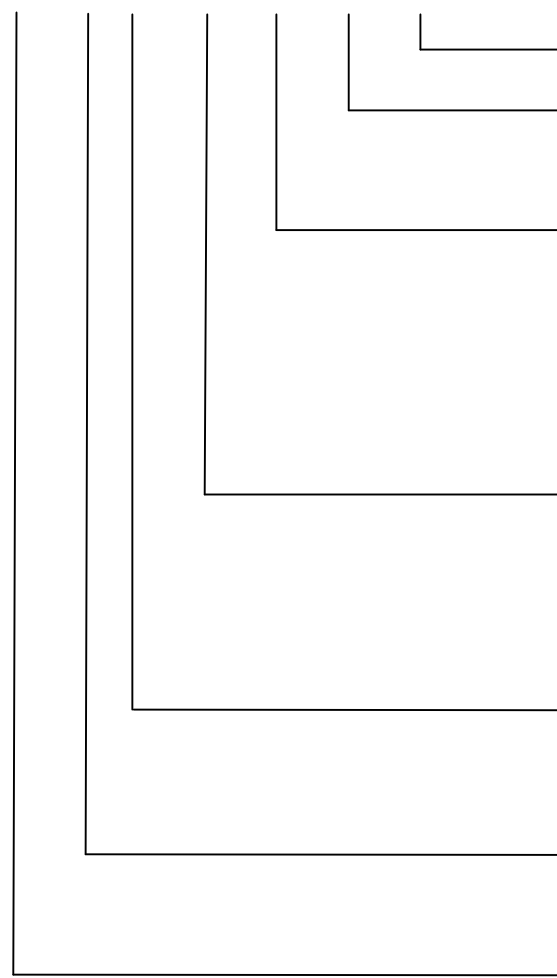
Enhance Power LED

EP501W4L040WHR

REV:A/0

● Part NO. System of E-Power LED

EP 5 01 W2 L 001 W HR



R:75-80CRI	HR: 80-85CRI
Special mark: W:white, B:black	
Series Number	
View Angle:	
2: 2*5=10°	L: L*5=130°
3: 3*5=15°	M: M*5=160°
6 : 6*5=30°	
C: C*5=60°	
R1: λ d=625nm	Y1: λ d=590nm
G1: λ d=525nm	B1: λ d= 460nm
IR: λ p=850nm	A1: λ d=615nm
W1: white	WY: warm white
W2: neutral white	
Power:	
01—1W , 03—3W , 05—5W,.....	
0A-100W	
Slug material:	
1—Al,2—silicon,3—Fe,4—ceramic,	
5—Cu	
EP: Enhance Power	