

Resistors

- Operating temperature -40°C to +200°C
- 1W to 10W
- Flame Proof and High Power

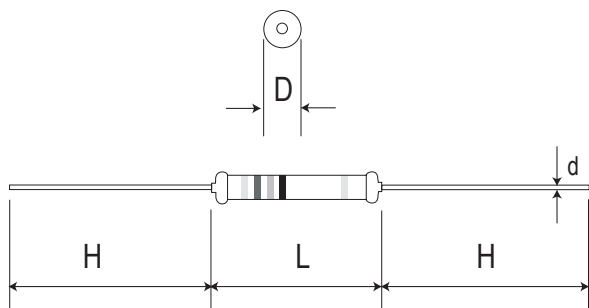
The DWR series is available in power ratings from 1W to 10W
With tolerances of 5% and 10%

The resistors are coated in green lacquer of flameproof silicone,
The 5th colour band is violet to represent power wire wound
Resistors. High power dissipation in small volume

Power Wire Wound Resistors



OUTLINE DRAWING



STYLE	Dimension			
	L	ØD	H	Ød
DWR01	10±1.0	4.3±0.5	26±2.0	0.8±0.05
DWR03	13±1.0	5.5±0.5	34±2.0	0.8±0.05
DWR04	17±1.0	5.5±0.5	32±2.0	0.8±0.05
DWR05	17±1.0	7.5±0.5	32±2.0	0.8±0.05
DWR07	25±1.0	7.5±0.5	38±2.0	0.8±0.05
DWR10	44±1.0	8.0±0.5	28±2.0	0.8±0.05

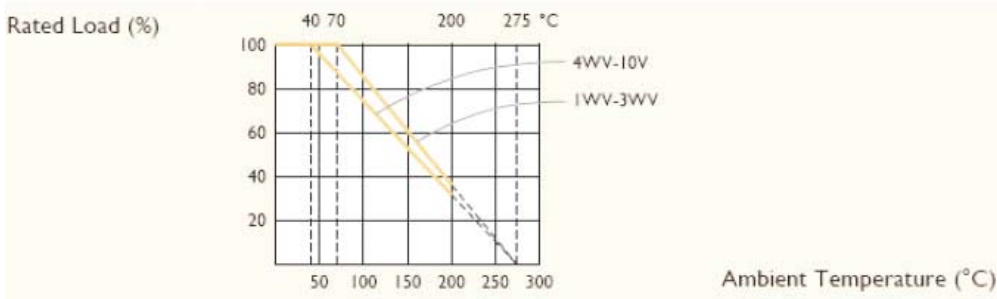
RANGE

Style	DWR01	DWR03	DWR04	DWR05	DWR07	DWR10
Power Rating at 70°C	1W	3W	4W	5W	7W	10W
Dielectric Withstand Voltage	300V					
Resistance Range	0.1R~2k	0.1R~2k	0.1R~3.9k	0.1R~3.9k	1R~10k	0.43R~5.6k
Operating Temperature Range	-40°C to +200°C					
Temperature Coefficient	±100 ppm/°C, ±300 ppm/°C					

ORDERING INFORMATION

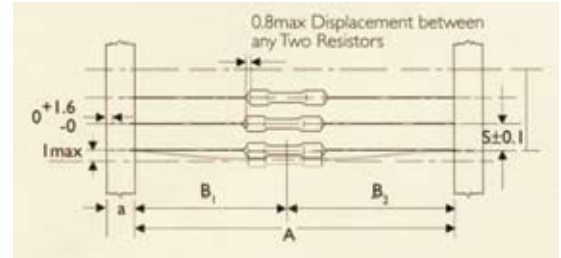
DWR	01	J	75R	T	--
	Power Rating	Tolerance	Value in ohms	Packaging	Packaging Option
	01 = 1W 02 = 2W	5% = J 10% = F		T = Tape and Ammo Blank=Bulk	52=52.4mm 73=73mm 91=91mm

Derating Curve



Packing Methods

STYLE	DIMENSIONS				Unit: mm T (max. deviation of spacing)
	a	A	B1-B2	S (spacing)	
DWR01	6 ± 0.5	73 ± 1.5	1.5	10	1mm per 10 spacing 0.5mm per 5 spacing
		52.4 ± 1.0	1.2		
DWR03	6 ± 0.5	73 ± 1.5	1.5	10	
		52.4 ± 1.0	1.2		
DWR04	6 ± 0.5	73 ± 1.5	1.5	10	
		52.4 ± 1.0	1.2		
DWR05	6 ± 0.5	73 ± 1.5	1.5	10	
		52.4 ± 1.0	1.2		
DWR07	6 ± 0.5	91.0 ± 1.5	1.5	10	
		73 ± 1.5	1.2		
DWR10	6 ± 0.5	91.0 ± 1.5	1.5	10	
		73 ± 1.5	1.2		



STYLE	Standard Lead Length			Qty Per Box
	W (A)	H (B)	L (C)	
Normal				
DWR01	73	45	258	1000
DWR03	103	94	260	1000
DWR04	103	94	260	1000
DWR05	103	94	260	250
DWR07	115	70	263	250
DWR10	115	70	263	200

