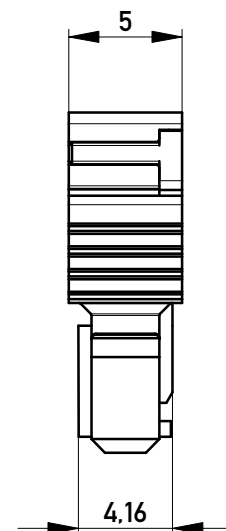
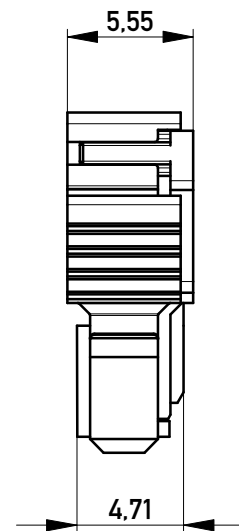
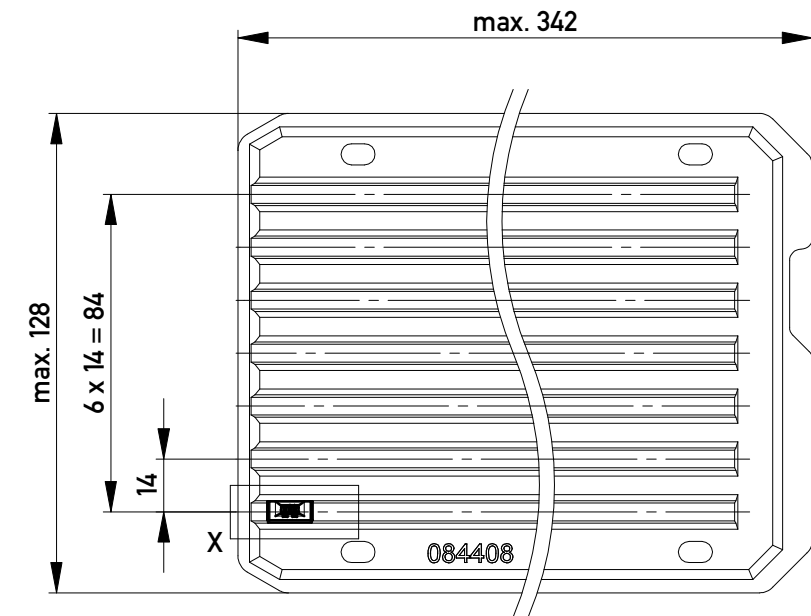


Abdeckung vorverrastet  
cover loose mounted

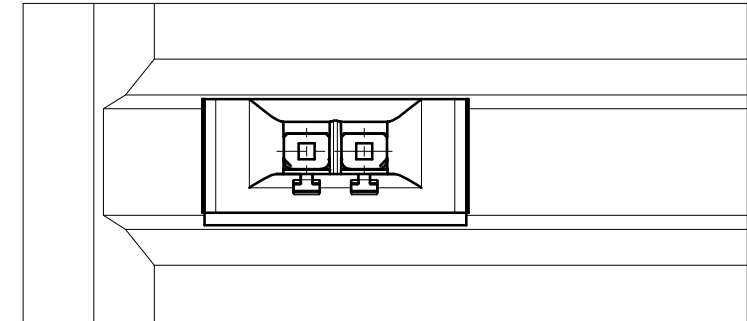
Abdeckung verpresst  
cover pressed on



Verpackt in Tray - tray packaging  
Verpackungseinheit 182 Stück - packaging unit 182



Einzelheit X  
detail X



Copyright by ERNI GmbH  
Proprietary notice pursuant to ISO 16016 to be observed.

Information: Codierung schwarz - coding black		Tolerances		Scale	3:1
All rights reserved. Only for Information. To ensure that this is the latest version of this drawing, please contact one of the ERNI companies before using.		Subject to modification without prior notice. Drawing will not be updated.		Designation <b>F 2.54 SRC-A, 2-polig BA 2</b>	
a		08.10.2013		www.ERNI.com <b>100202480004</b>	
Index	Date				
				Class	SRCBUG