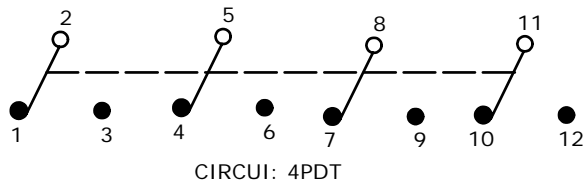


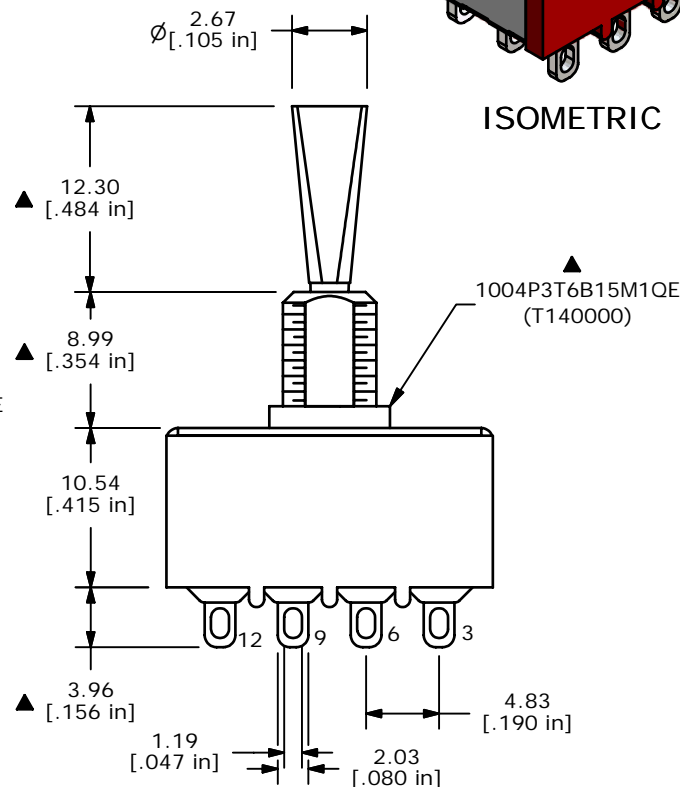
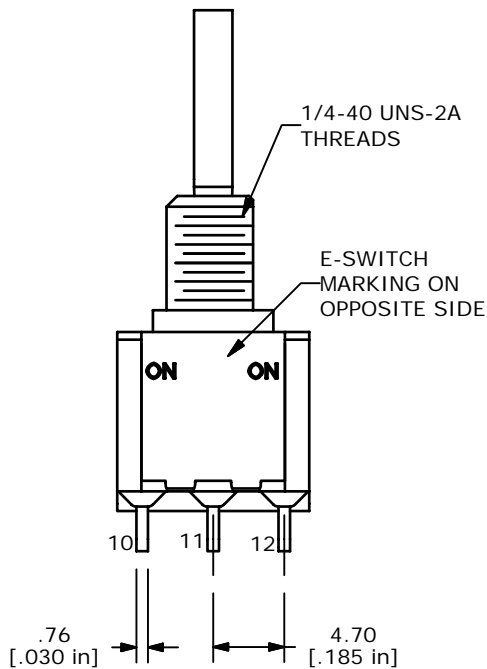
B ▲

| SWITCH FUNCTION | | |
|----------------------|--------|----------------------|
| POS. 1 | POS. 2 | POS. 3 |
| | | |
| ON | OFF | ON |
| 2-3, 5-6, 8-9, 11-12 | OPEN | 2-1, 5-4, 8-7, 11-10 |



NOTE:

1. ALL DIMENSIONS IN MM [INCH]
2. GENERAL TOLERANCE: X.X=±0.4
X.XX=±0.25
3. TERMINAL NUMBERS FOR REF ONLY
- ▲ 4. PLATING MATERIAL: SILVER
5. RATING: 2A @250VAC
5A @120VAC OR 28 VDC
6. ELECTRIC LIFE: 40,000 MAKE-AND-BREAK CYCLES AT FULL LOAD.
7. INSULATION RESISTANCE: 1,000 MEGA-OHM MIN.
8. DIELECTRIC STRENGTH: 1,000 V RMS @SEA LEVEL.
9. OPERATING TEMP.: -30°C to 85°C
- ▲ 10. HARDWARE TO BE SHIPPED BULK
T100000 - HEXNUT - QTY 2
T100011 - LOCKWASHER - QTY 1
T100002 - LOCKRING - QTY 1
11. ▲ DENOTES CRITICAL PARAMETER.



E-SWITCH®

| | | | | |
|-----|--------|------------------------------|---------|----|
| B | 14899 | CHANGED SWITCH POSITION TEXT | 5/10/05 | JB |
| A | 14871 | RELEASED FOR PRODUCTION | 4/20/05 | JB |
| REV | PCR NO | DESCRIPTION | DATE | BY |

| | | | | |
|------------------------|----------------|-------|--------------|-------|
| TITLE 1004P3T6B15M1QEH | | | | |
| SCALE 2:1 | DATE 4/20/2005 | DR JB | DWG ST140000 | REV B |