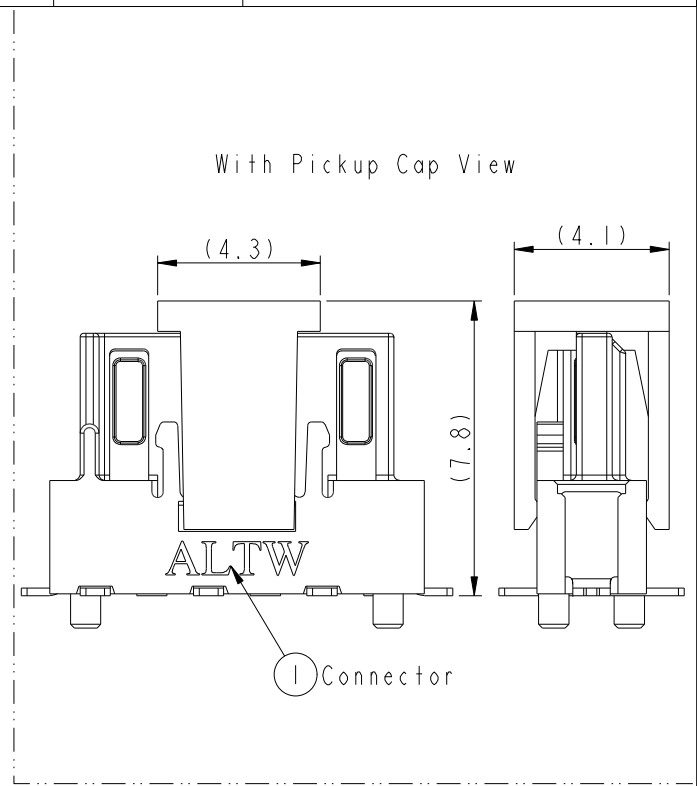
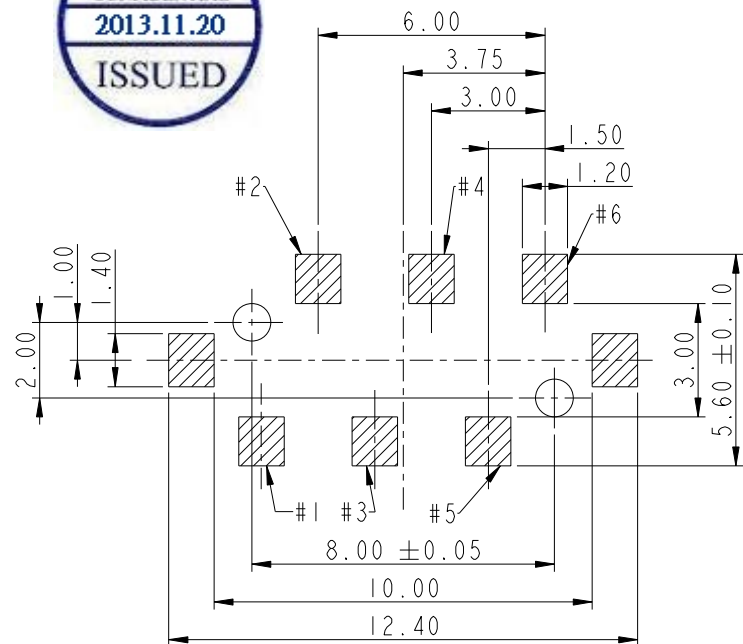
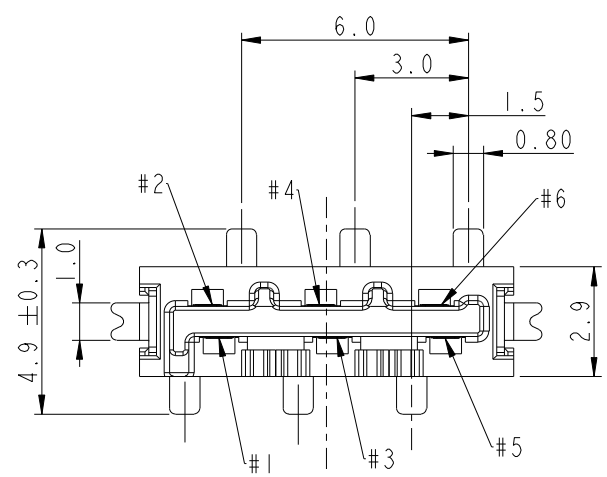
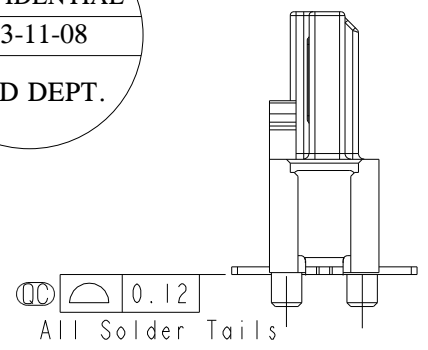
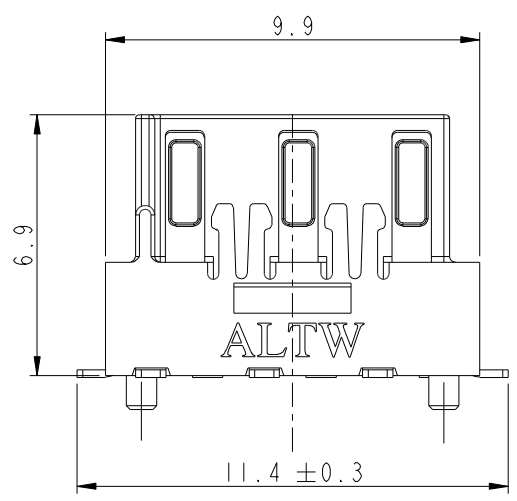
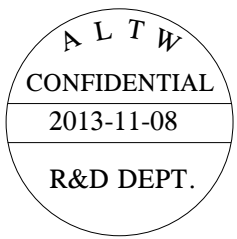


THIS DOCUMENT IS SUBJECT TO CHANGE WITHOUT NOTICE. IT IS CONFIDENTIAL AND A PROPERTY OF Amphenol LTW. DISCLOSURE TO THIRD PARTY HAS TO BE AUTHORIZED BY Amphenol LTW.

REV.	ECN NO.	DATE	SIGN	DESCRIPTION
A	Initial Release	2013-11-08	Fisher	Initial Release



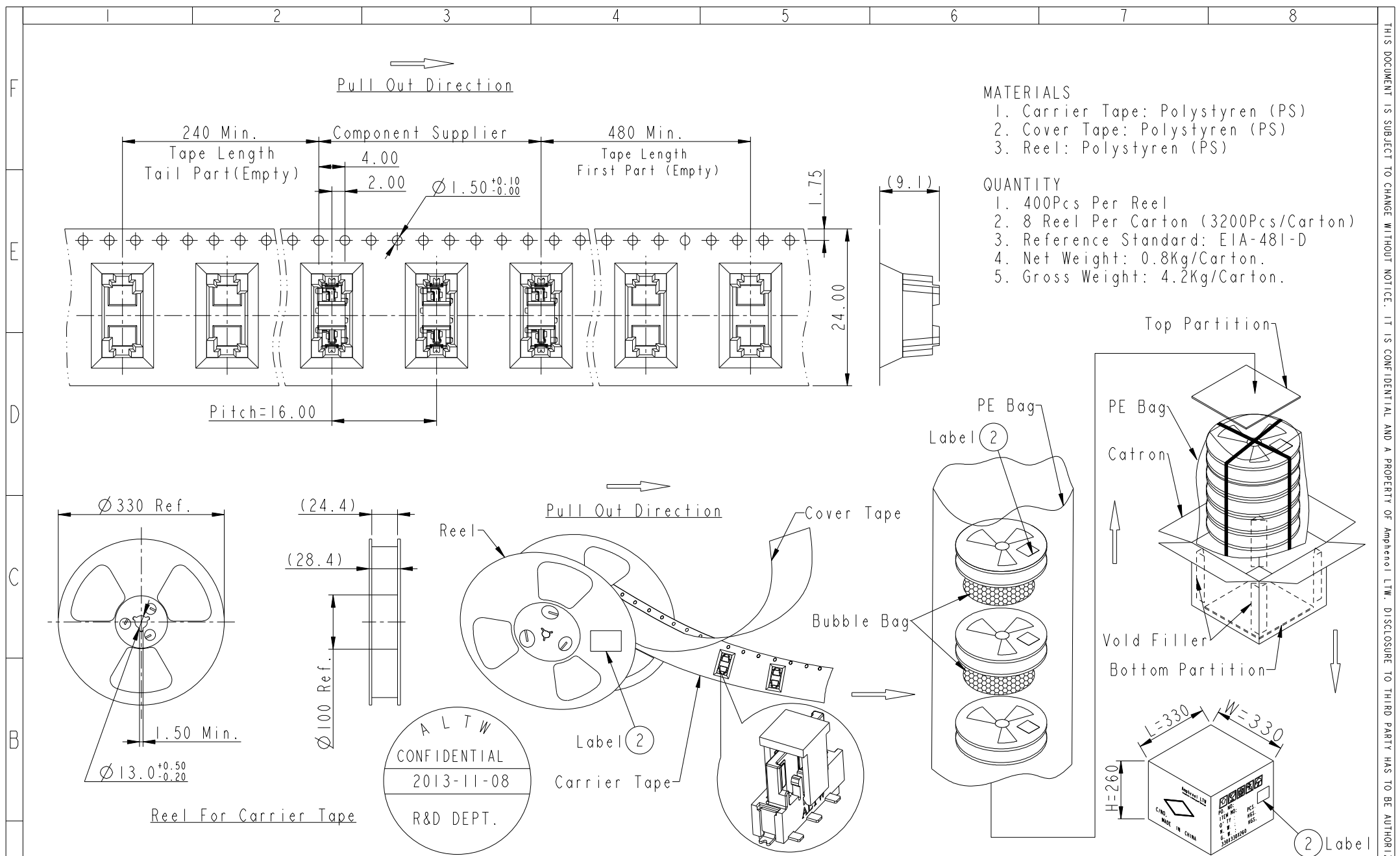
RECOMMENDED P.C.B. LAYOUT  
GENERAL TOLERANCE IS ±0.05



- Notes:
- \*  $\text{Ⓞ}$  Important Dimension To Check.
  - \* Housing: High temperature thermoplastic. UL94V-0, color is Natural white.
  - \* Pickup Cap: High temperature thermoplastic. UL94V-0, color is Black.
  - \* Terminal: Copper Alloy, Gold Plated on contact area. Tin plated on solder tails.
  - \* Solder Peg: Copper Alloy, Tin plated over Nickel.

UNIT: mm		TITLE SSL-1.1 DC 6P PLUG CONN, WITH POST, S/T, SMT TYPE		<h1>Amphenol LTW</h1> 安費諾亮泰企業股份有限公司		ITEM NO	DRAWN BY	DATE
		TOLERANCE .X ±0.25 .XX ±0.1 .XXX ±0.05 ANGLES ±1°	SCALE 5:1			SIZE A4	SHEET 1 OF 2	SSL11-P6A00-000001
REV. A	WC-REV. A.6	$\text{Ⓞ}$ : Inspection item		DWG NO	CHECKED BY	DATE		
				SSL11-P6A00-000001	Ivan_Lin	2013-11-08		
				CUSTOMER	APPROVED BY	DATE		
				ALTW	Kevin_Hu	2013-11-08		

THIS DOCUMENT IS SUBJECT TO CHANGE WITHOUT NOTICE. IT IS CONFIDENTIAL AND A PROPERTY OF Amphenol LTW. DISCLOSURE TO THIRD PARTY HAS TO BE AUTHORIZED BY Amphenol LTW.



**MATERIALS**

1. Carrier Tape: Polystyren (PS)
2. Cover Tape: Polystyren (PS)
3. Reel: Polystyren (PS)

**QUANTITY**

1. 400Pcs Per Reel
2. 8 Reel Per Carton (3200Pcs/Carton)
3. Reference Standard: EIA-481-D
4. Net Weight: 0.8Kg/Carton.
5. Gross Weight: 4.2Kg/Carton.

A L T W  
CONFIDENTIAL  
2013-11-08  
R&D DEPT.

UNIT:mm		TITLE SSL-1.1 DC 6P PLUG CONN, WITH POST,S/T,SMT TYPE			<b>Amphenol LTW</b>		ITEM NO SSL11-P6A00-000001	DRAWN BY Fisher_Wang	DATE 2013-11-08
		TOLERANCE .X ±0.25 .XX ±0.1 .XXX ±0.05 ANGLES ±1°	SCALE 5:1	SIZE A4	SHEET 2 OF 2	<b>安費諾亮泰企業股份有限公司</b>		DWG NO SSL11-P6A00-000001	CHECKED BY Ivan_lin
		REV. A	WC-REV. A.3	QC: Inspection item		CUSTOMER ALTW	APPROVED BY Kevin_Hu	DATE 2013-11-08	

Label 2