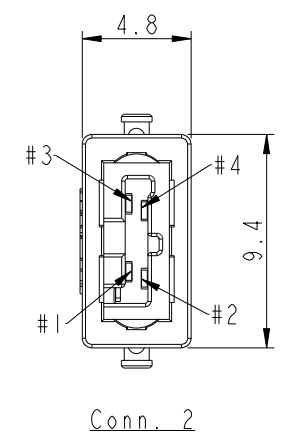
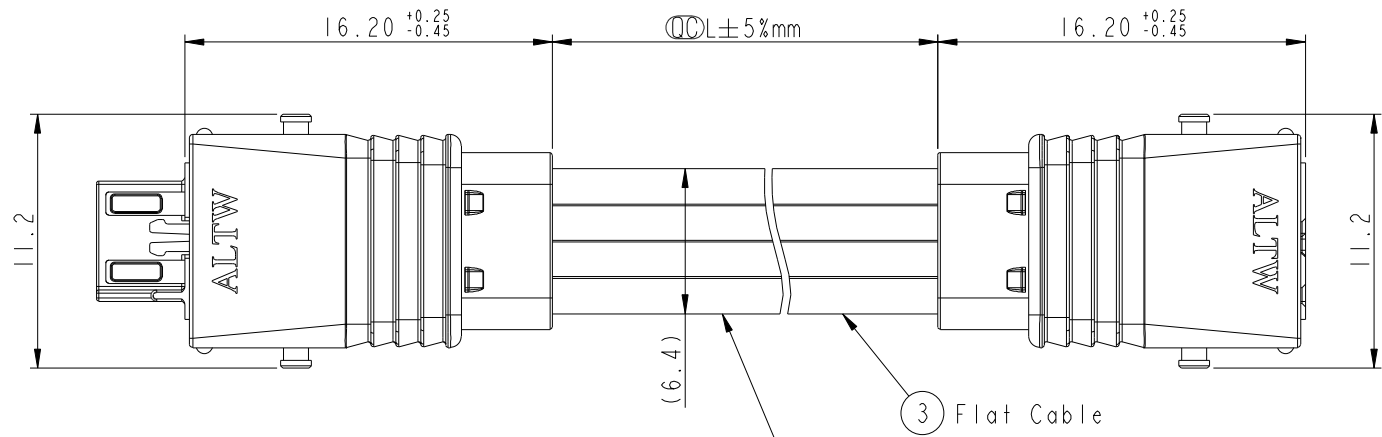
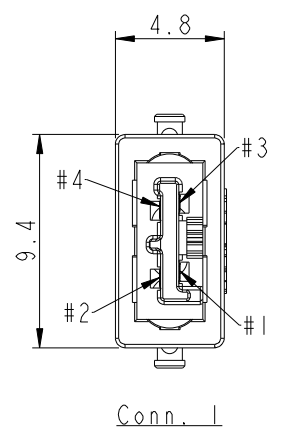
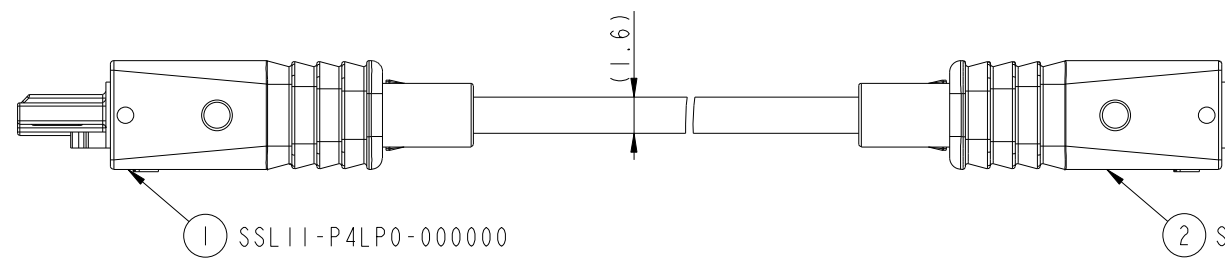
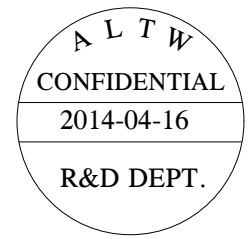


REV.	ECN NO.	DATE	SIGN	DESCRIPTION
A	Initial Release	2014-04-16	Fisher	Initial Release



SSL11-P4LJP-022DXX

06: L=600mm.
Cable Length Range(L): 100~9900 mm

22: 22AWG
LOCK&LATCH OPTION
0: W/O LOCK



- Notes:
- * \varnothing Important Dimensions To Check.
 - * Housing: Thermoplastic, UL94V-0, Natural White.
 - * Terminal: Copper Alloy, Gold Plated.
 - * Hood: Thermoplastic, UL94V-0, Natural White.
 - * SR Mold: PP, UL94V-0, Natural White.
 - * Flat Cable: UL21016, 4F * 22AWG, XLPE Insulation, White

4	White	白色	4
3	White	白色	3
2	White	白色	2
1	Blue Mark	藍色	1
Conn. 1	Wire Color		Conn. 2
Pin Out			

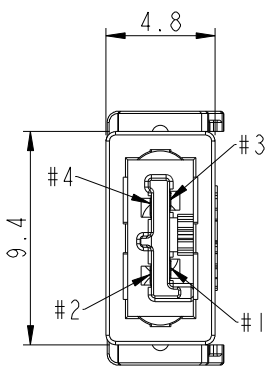
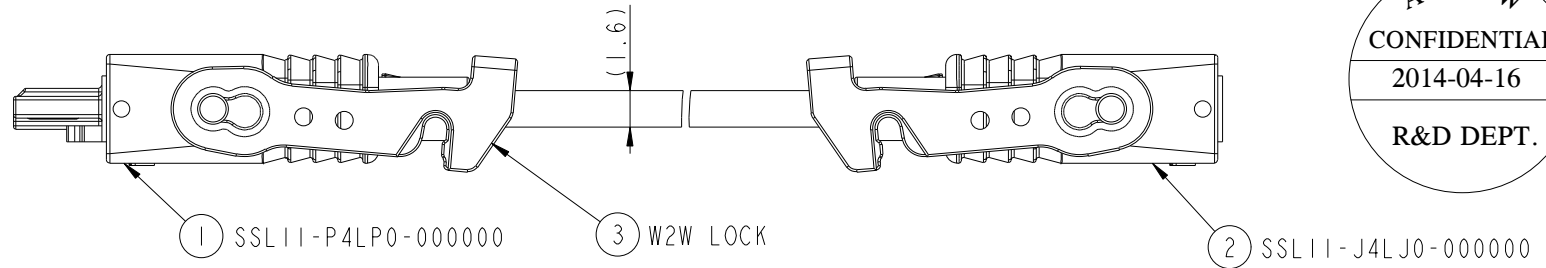
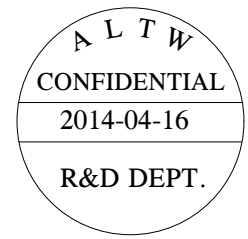
UNIT:mm			TITLE SSL11 Flat Cable, 4-Pos. W/O Lock, Plug to Jack
TOLERANCE .X ±0.25 .XX ±0.1 .XXX ±0.05 ANGLES ±1°	SCALE 3:1	SIZE A4	SHEET 1 OF 1
REV. A	WC-REV. A.2	\varnothing : Inspection item	

Amphenol LTW
安費諾亮泰企業股份有限公司

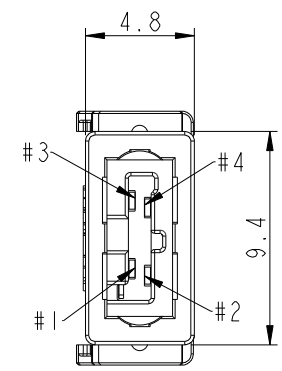
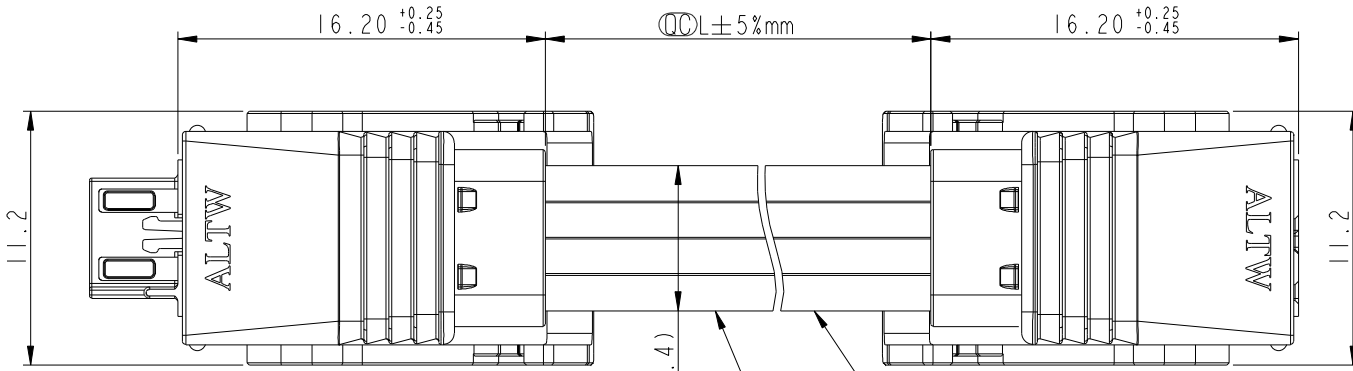
ITEM NO	DRAWN BY Fisher_Wang	DATE 2014-04-16
DWG NO SSL11-P4LJP-022DXX	CHECKED BY Ivan_Lin	DATE 2014-04-16
CUSTOMER ALTW	APPROVED BY Kevin_Hu	DATE 2014-04-16

THIS DOCUMENT IS SUBJECT TO CHANGE WITHOUT NOTICE. IT IS CONFIDENTIAL AND A PROPERTY OF Amphenol LTW. DISCLOSURE TO THIRD PARTY HAS TO BE AUTHORIZED BY Amphenol LTW.

REV.	ECN NO.	DATE	SIGN	DESCRIPTION
A	Initial Release	2014-04-16	Fisher	Initial Release



Conn. 1



Conn. 2

SSLII-P4LJP-T22DXX

06: L=600mm.
Cable Length Range(L): 100~9900 mm

22: 22AWG
LOCK&LATCH OPTION
T: W2W LOCK X 2

- Notes:
- * (CC) Important Dimensions To Check.
 - * Housing: Thermoplastic, UL94V-0, Natural White.
 - * Terminal: Copper Alloy, Gold Plated.
 - * Hood: Thermoplastic, UL94V-0, Natural White.
 - * SR Mold: PP, UL94V-0, Natural White.
 - * W2W Lock: Thermoplastic, UL94V-0, Natural White.
 - * Flat Cable: UL21016, 4F * 22AWG, XLPE Insulation, White

4	White	白色	4
3	White	白色	3
2	White	白色	2
1	Blue Mark	藍色	1
Conn. 1	Wire Color		Conn. 2
Pin Out			

UNIT:mm			TITLE SSLII Flat Cable, 4-Pos. W2W Lock X 2, Plug to Jack		
TOLERANCE	.X ±0.25	.XX ±0.1	SCALE 3:1	SIZE A4	SHEET 1 OF 1
ANGLES	.XXX ±0.05	±1°	REV. A	WC-REV. A.4	(CC): Inspection item

Amphenol LTW
安費諾亮泰企業股份有限公司

ITEM NO	DRAWN BY Fisher_Wang	DATE 2014-04-16
DWG NO SSLII-P4LJP-T22DXX	CHECKED BY Ivan_Lin	DATE 2014-04-16
CUSTOMER ALTW	APPROVED BY Kevin_Hu	DATE 2014-04-16

THIS DOCUMENT IS SUBJECT TO CHANGE WITHOUT NOTICE. IT IS CONFIDENTIAL AND A PROPERTY OF Amphenol LTW. DISCLOSURE TO THIRD PARTY HAS TO BE AUTHORIZED BY Amphenol LTW.