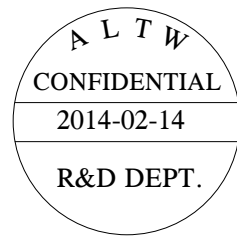
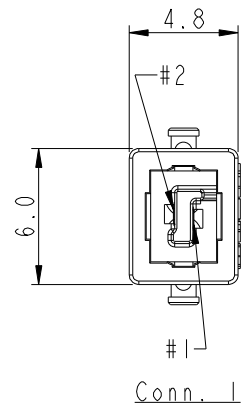
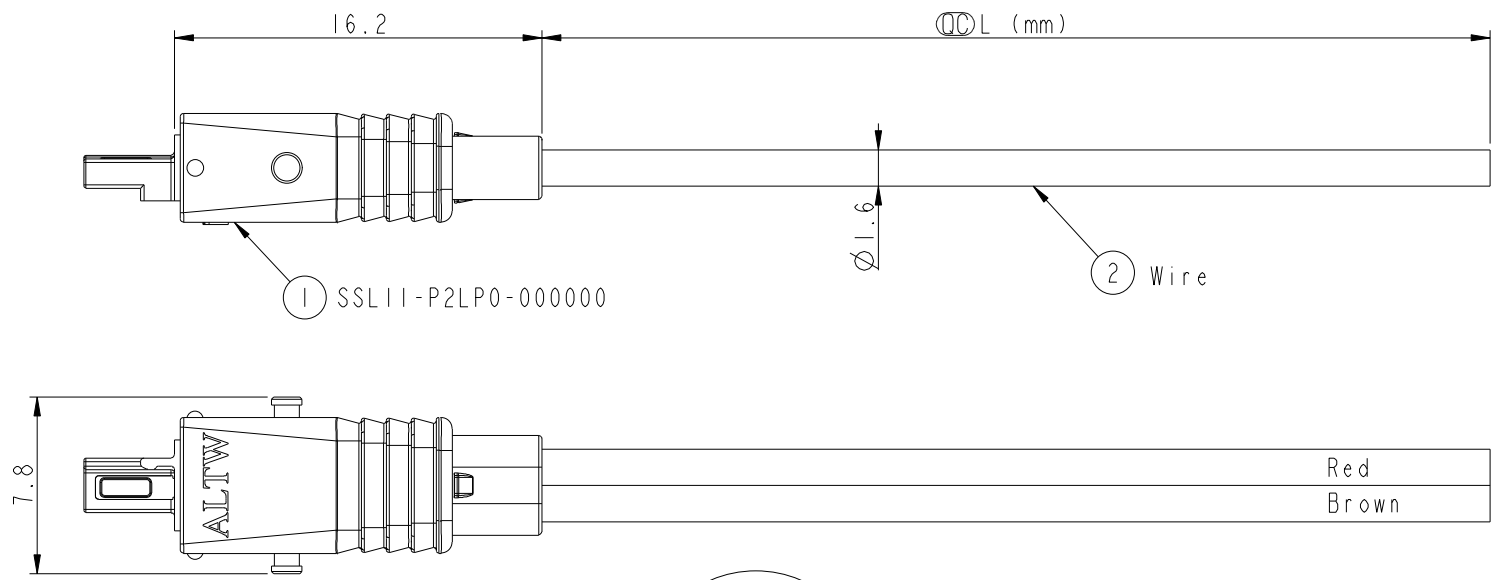


REV.	ECN NO.	DATE	SIGN	DESCRIPTION
A	Initial Release	2014-02-14	Fisher	Initial Release



SSL11-P2LP0-022AXX

- 01: L=100±20 mm.
- 02: L=200±20 mm.
- 04: L=400±25 mm.
- Standard Length is 400mm
- Wire Length Range(L): 100~9900mm
- 22: 22AWG
- LOCK&LATCH OPTION
- 0: W/O LOCK

- Notes:
- * \varnothing Important Dimensions To Check.
 - * Housing: Thermoplastic, UL94V-0, Natural White.
 - * Terminal: Copper Alloy, Gold Plated.
 - * Hood: Thermoplastic, UL94V-0, Natural White.
 - * SR Mold: PP, UL94V-0, Natural White.
 - * Wire: UL1430 22AWG, Brown/Red.
 - * Wire Length Tolerance: ±5%mm.

2	Red	紅
1	Brown	棕
Conn. 1	Wire Color	
Pin Out		

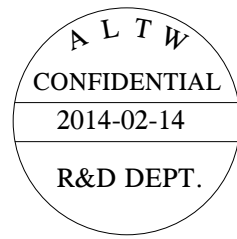
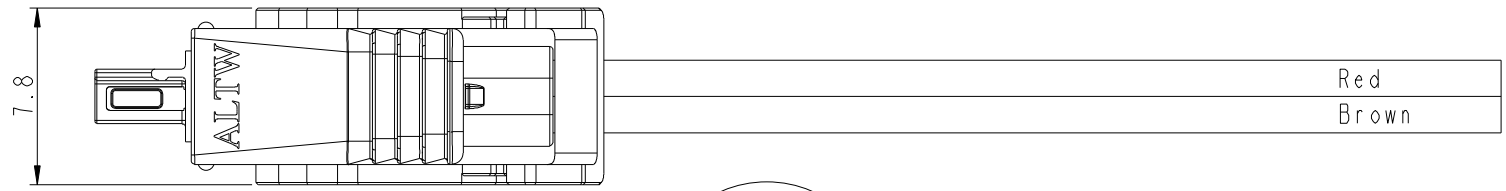
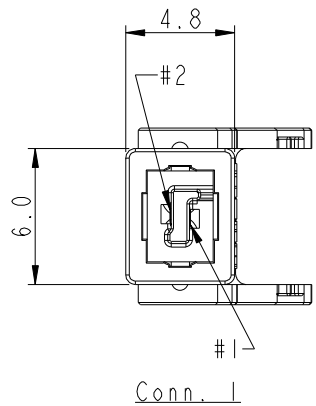
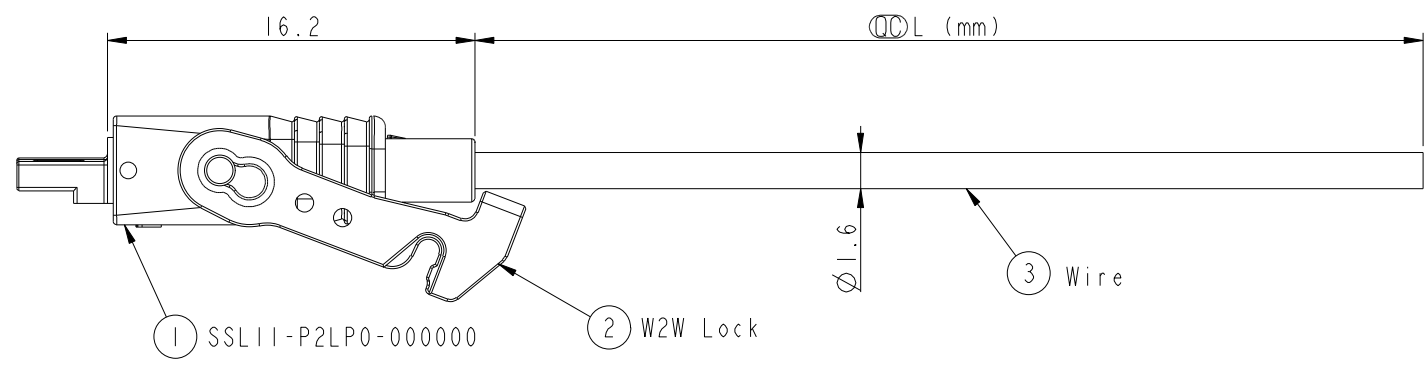
UNIT:mm			TITLE
TOLERANCE	.X ±0.25	.XX ±0.1	SSL11.1 WIRE ASS'Y, W/O LOCK
.XXX ±0.05	ANGLES ±1°	SCALE	2-POS, PLUG TO OPEN
REV.	A	SIZE	3:1
WC-REV.	A.2	SHEET	A4
		OF	1
		QC	Inspection item

Amphenol LTW
安費諾亮泰企業股份有限公司

ITEM NO	DRAWN BY	DATE
DWG NO	CHECKED BY	DATE
CUSTOMER	APPROVED BY	DATE
ALTW	Fisher_Wang	2014-02-14
	Ivan_Lin	2014-02-14
	Kevin_Hu	2014-02-14

THIS DOCUMENT IS SUBJECT TO CHANGE WITHOUT NOTICE. IT IS CONFIDENTIAL AND A PROPERTY OF AMPHENOL LTW. DISCLOSURE TO THIRD PARTY HAS TO BE AUTHORIZED BY AMPHENOL LTW.

REV.	ECN NO.	DATE	SIGN	DESCRIPTION
A	Initial Release	2014-02-14	Fisher	Initial Release



SSL11-P2LP0-W22AXX

- 01: L=100±20 mm.
- 02: L=200±20 mm.
- 04: L=400±25 mm.
- Standard Length is 400mm
- Wire Length Range(L): 100~9900mm
- 22: 22AWG
- LOCK&LATCH OPTION
- W: WITH W2W LOCK

- Notes:
- * Ⓞ Important Dimensions To Check.
 - * Housing: Thermoplastic, UL94V-0, Natural White.
 - * Terminal: Copper Alloy, Gold Plated.
 - * Hood: Thermoplastic, UL94V-0, Natural White.
 - * SR Mold: PP, UL94V-0, Natural White.
 - * W2W Lock: Thermoplastic, UL94V-0, Natural White.
 - * Wire: UL1430 22AWG, Brown/Red.
 - * Wire Length Tolerance: ±5%mm.

2	Red	紅
1	Brown	棕
Conn. 1	Wire Color	
Pin Out		

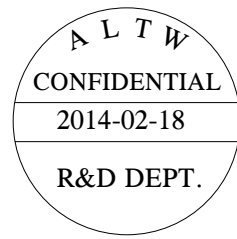
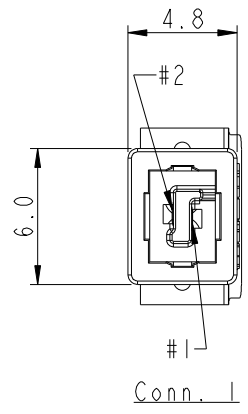
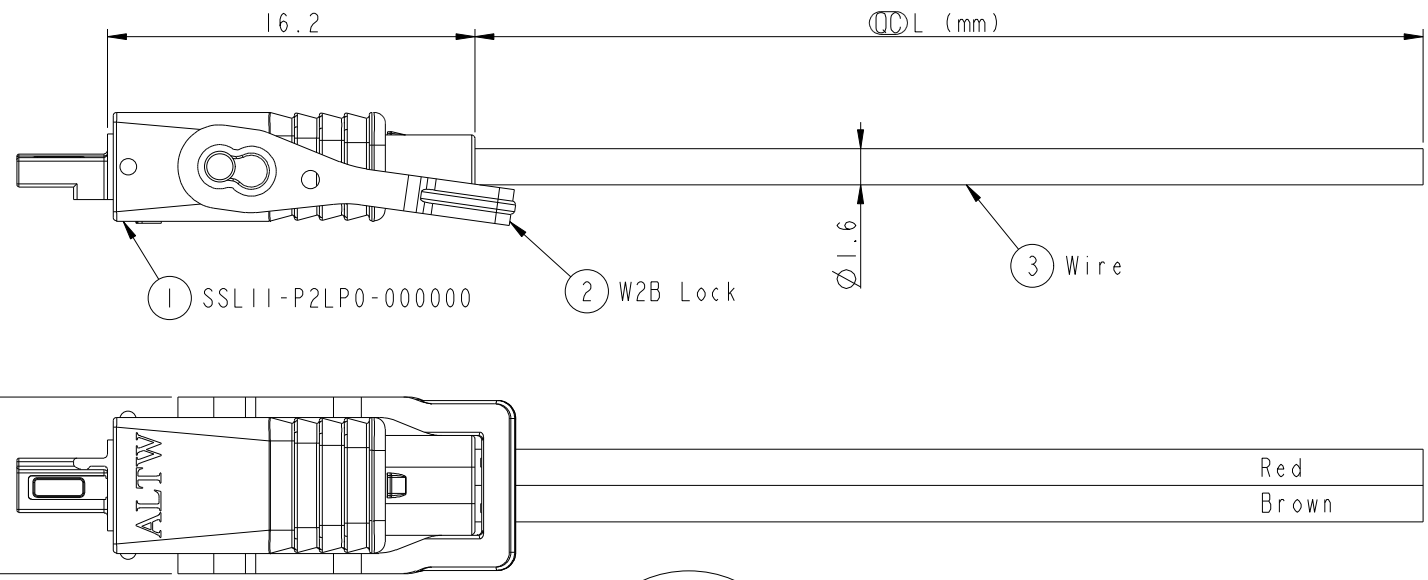
UNIT:mm			TITLE SSL11 WIRE ASS'Y, WITH W2W LOCK 2-POS, PLUG TO OPEN
TOLERANCE .X ±0.25 .XX ±0.1 .XXX ±0.05 ANGLES ±1°	SCALE 3:1	SIZE A4	SHEET 1 OF 1
REV. A	WC-REV. A.4	Ⓞ: Inspection item	

Amphenol LTW
安費諾亮泰企業股份有限公司

ITEM NO	DRAWN BY Fisher_Wang	DATE 2014-02-14
DWG NO SSL11-P2LP0-W22AXX	CHECKED BY Ivan_Lin	DATE 2014-02-14
CUSTOMER ALTW	APPROVED BY Kevin_Hu	DATE 2014-02-14

THIS DOCUMENT IS SUBJECT TO CHANGE WITHOUT NOTICE. IT IS CONFIDENTIAL AND A PROPERTY OF AMPHENOL LTW. DISCLOSURE TO THIRD PARTY HAS TO BE AUTHORIZED BY AMPHENOL LTW.

REV.	ECN NO.	DATE	SIGN	DESCRIPTION
A	Initial Release	2014-02-18	Fisher	Initial Release



SSLII-P2LP0-B22AXX

- 01: L=100±20 mm.
- 02: L=200±20 mm.
- 04: L=400±25 mm.
- Standard Length is 400mm
- Wire Length Range(L): 100~9900mm
- 22: 22AWG
- LOCK&LATCH OPTION
- B: WITH W2B LOCK

- Notes:
- * ⌀ Important Dimensions To Check.
 - * Housing: Thermoplastic, UL94V-0, Natural White.
 - * Terminal: Copper Alloy, Gold Plated.
 - * Hood: Thermoplastic, UL94V-0, Natural White.
 - * SR Mold: PP, UL94V-0, Natural White.
 - * W2B Lock: Thermoplastic, UL94V-0, Natural White.
 - * Wire: UL1430 22AWG, Brown/Red.
 - * Wire Length Tolerance: ±5%mm.

2	Red	紅
1	Brown	棕
Conn. 1	Wire Color	
Pin Out		

UNIT:mm			TITLE
TOLERANCE	.X ±0.25	.XX ±0.1	SSLII.1 WIRE ASS'Y, WITH W2B LOCK
.XXX ±0.05	ANGLES ±1°	SCALE 3:1	2-POS, PLUG TO OPEN
REV. A	WC-REV. A.2	SIZE A4	SHEET 1 OF 1
		⌀ Inspection item	

Amphenol LTW
安費諾亮泰企業股份有限公司

ITEM NO	DRAWN BY	DATE
DWG NO	CHECKED BY	DATE
CUSTOMER	APPROVED BY	DATE
ALTW	Fisher_Wang	2014-02-18
	Ivan_Lin	2014-02-18
	Kevin_Hu	2014-02-18

THIS DOCUMENT IS SUBJECT TO CHANGE WITHOUT NOTICE. IT IS CONFIDENTIAL AND A PROPERTY OF AMPHENOL LTW. DISCLOSURE TO THIRD PARTY HAS TO BE AUTHORIZED BY AMPHENOL LTW.