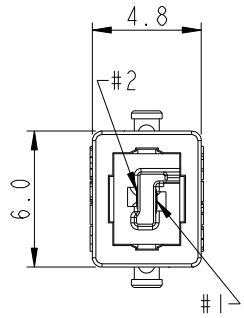
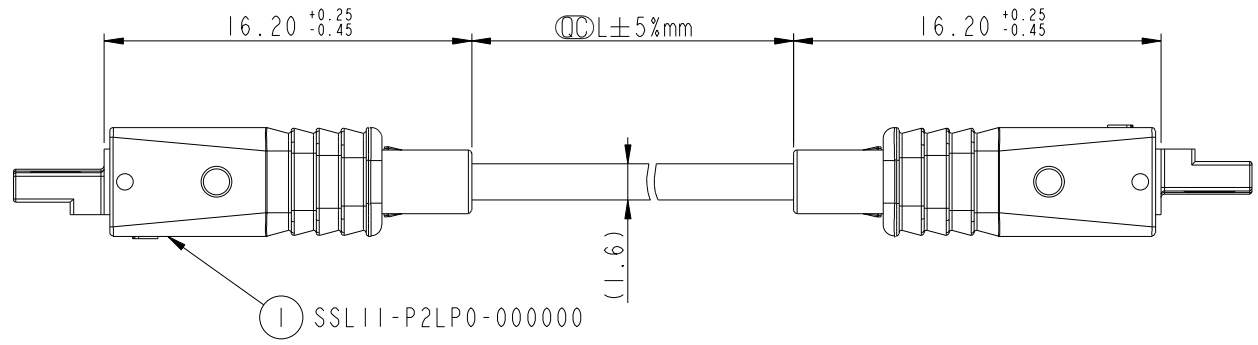
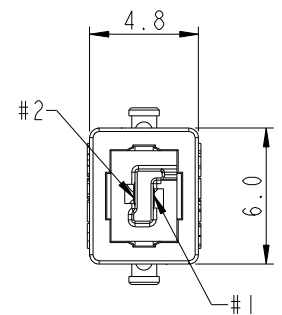
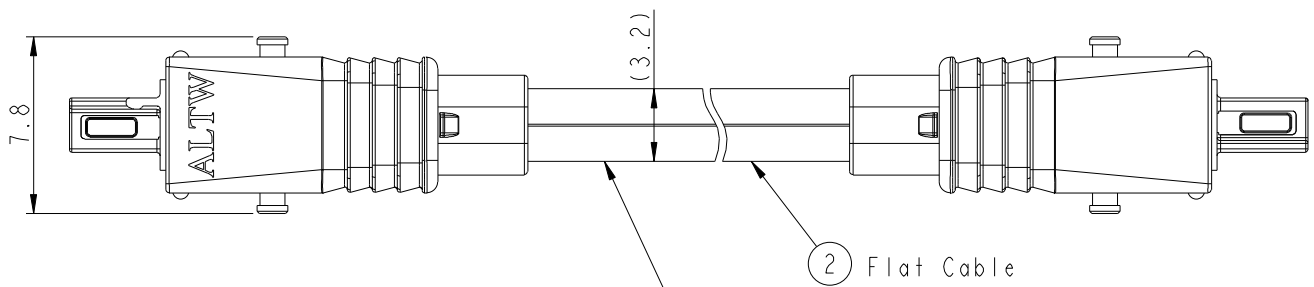


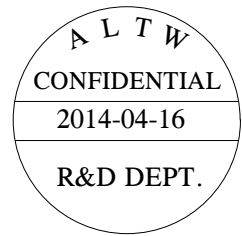
| | | | | |
|------|-----------------|------------|--------|-----------------|
| REV. | ECN NO. | DATE | SIGN | DESCRIPTION |
| A | Initial Release | 2014-04-16 | Fisher | Initial Release |



Conn. 1



Conn. 2



SSL11-P2L2P-022DXX
 06: L=600mm.
 Cable Length Range(L): 100~9900mm
 22: 22AWG
 LOCK&LATCH OPTION
 0: W/O LOCK

- Notes:
- * \varnothing Important Dimensions To Check.
 - * Housing: Thermoplastic, UL94V-0, Natural White.
 - * Terminal: Copper Alloy, Gold Plated.
 - * Hood: Thermoplastic, UL94V-0, Natural White.
 - * SR Mold: PP, UL94V-0, Natural White.
 - * Flat Cable: UL21016, 2F * 22AWG, XLPE Insulation, White

| | | |
|---------|--------------|---------|
| 2 | White | 2 |
| 1 | Blue Marking | 1 |
| Conn. 1 | Wire Color | Conn. 2 |
| Pin Out | | |

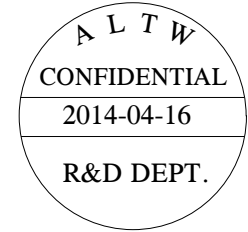
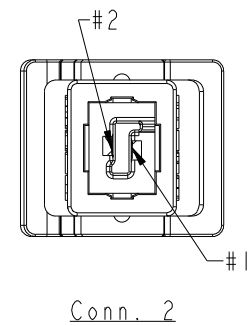
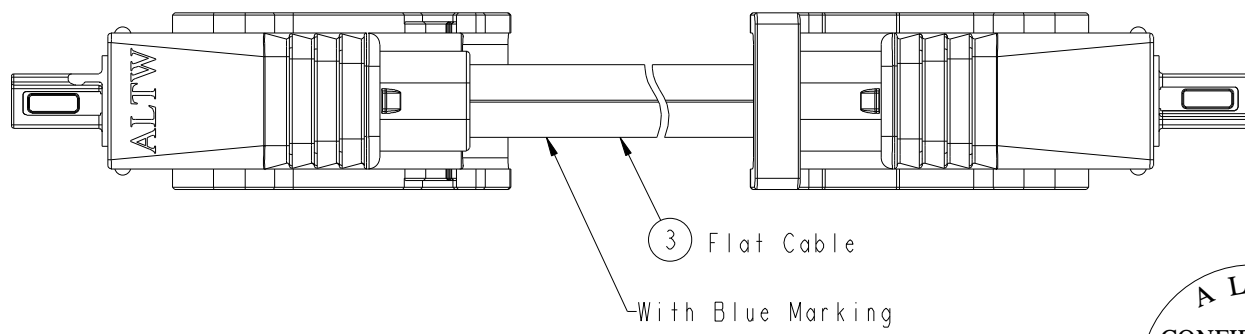
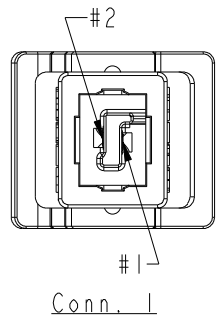
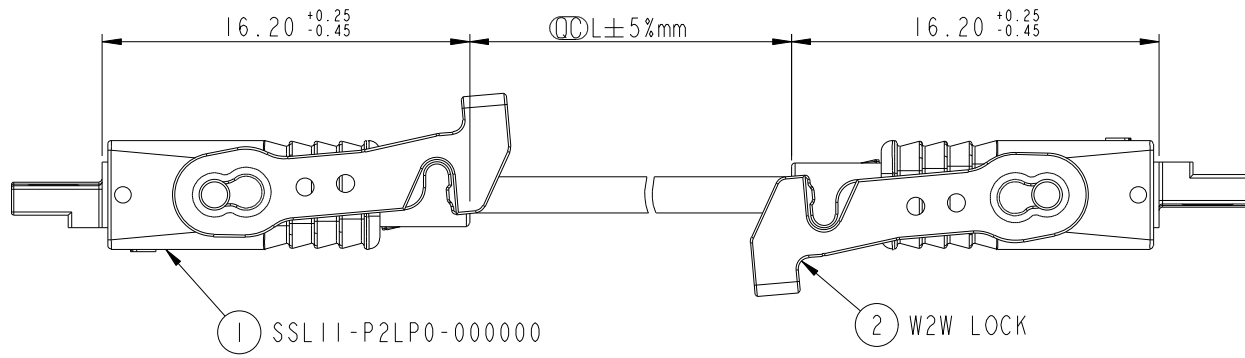
| | | |
|------------|--|---|
| UNIT:mm | | TITLE |
| TOLERANCE | | SSL1.1 Flat Cable, 2-Pos. W2W Lock X 2, Plug to Plug |
| .X ±0.25 | | SCALE 3:1 |
| .XX ±0.1 | | SIZE A4 |
| .XXX ±0.05 | | SHEET 1 OF 1 |
| ANGLES ±1° | | REV. A |
| | | WC-REV. A.1 |
| | | \varnothing : Inspection item |

Amphenol LTW
 安費諾亮泰企業股份有限公司

| | | |
|----------|-------------|------------|
| ITEM NO | DRAWN BY | DATE |
| DWG NO | CHECKED BY | DATE |
| CUSTOMER | APPROVED BY | DATE |
| ALTW | Fisher_Wang | 2014-04-16 |
| | Ivan_Lin | 2014-04-16 |
| | Kevin_Hu | 2014-04-16 |

THIS DOCUMENT IS SUBJECT TO CHANGE WITHOUT NOTICE. IT IS CONFIDENTIAL AND A PROPERTY OF Amphenol LTW. DISCLOSURE TO THIRD PARTY HAS TO BE AUTHORIZED BY Amphenol LTW.

| | | | | |
|------|-----------------|------------|--------|-----------------|
| REV. | ECN NO. | DATE | SIGN | DESCRIPTION |
| A | Initial Release | 2014-04-16 | Fisher | Initial Release |



SSL11-P2L2P-T22DXX
 06: L=600mm.
 Cable Length Range(L): 100~9900mm
 22: 22AWG
 LOCK&LATCH OPTION
 T: WITH W2W LOCK X 2

- Notes:
- * \varnothing Important Dimensions To Check.
 - * Housing: Thermoplastic, UL94V-0, Natural White.
 - * Terminal: Copper Alloy, Gold Plated.
 - * Hood: Thermoplastic, UL94V-0, Natural White.
 - * SR Mold: PP, UL94V-0, Natural White.
 - * W2W Lock: Thermoplastic, UL94V-0, Natural White.
 - * Flat Cable: UL21016, 2F * 22AWG, XLPE Insulation, White

| | | |
|---------|--------------|---------|
| 2 | White | 2 |
| 1 | Blue Marking | 1 |
| Conn. 1 | Wire Color | Conn. 2 |
| Pin Out | | |

| | | |
|------------|--|---|
| UNIT:mm | | TITLE |
| TOLERANCE | | SSL1.1 Flat Cable, 2-Pos. W2W Lock X 2, Plug to Plug |
| .X ±0.25 | | SCALE 3:1 |
| .XX ±0.1 | | SIZE A4 |
| .XXX ±0.05 | | SHEET 1 OF 1 |
| ANGLES ±1° | | REV. A |
| | | WC-REV. A.1 |
| | | \varnothing : Inspection item |

Amphenol LTW
 安費諾亮泰企業股份有限公司

| | | |
|--------------------|-------------|------------|
| ITEM NO | DRAWN BY | DATE |
| | Fisher_Wang | 2014-04-16 |
| DWG NO | CHECKED BY | DATE |
| SSL11-P2L2P-T22DXX | Ivan_Lin | 2014-04-16 |
| CUSTOMER | APPROVED BY | DATE |
| ALTW | Kevin_Hu | 2014-04-16 |

THIS DOCUMENT IS SUBJECT TO CHANGE WITHOUT NOTICE. IT IS CONFIDENTIAL AND A PROPERTY OF Amphenol LTW. DISCLOSURE TO THIRD PARTY HAS TO BE AUTHORIZED BY Amphenol LTW.