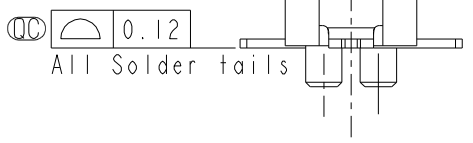
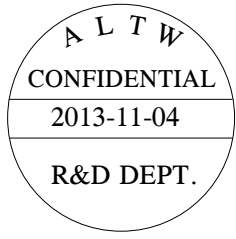
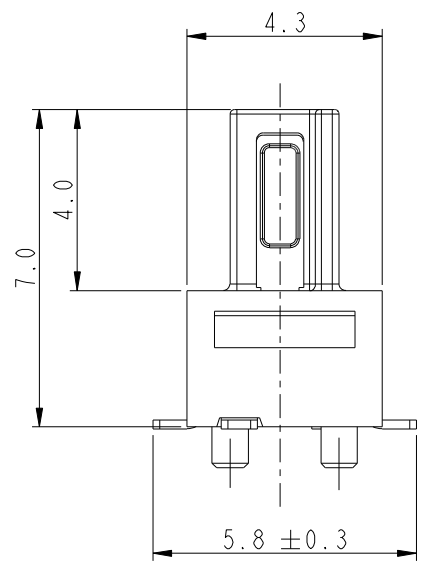
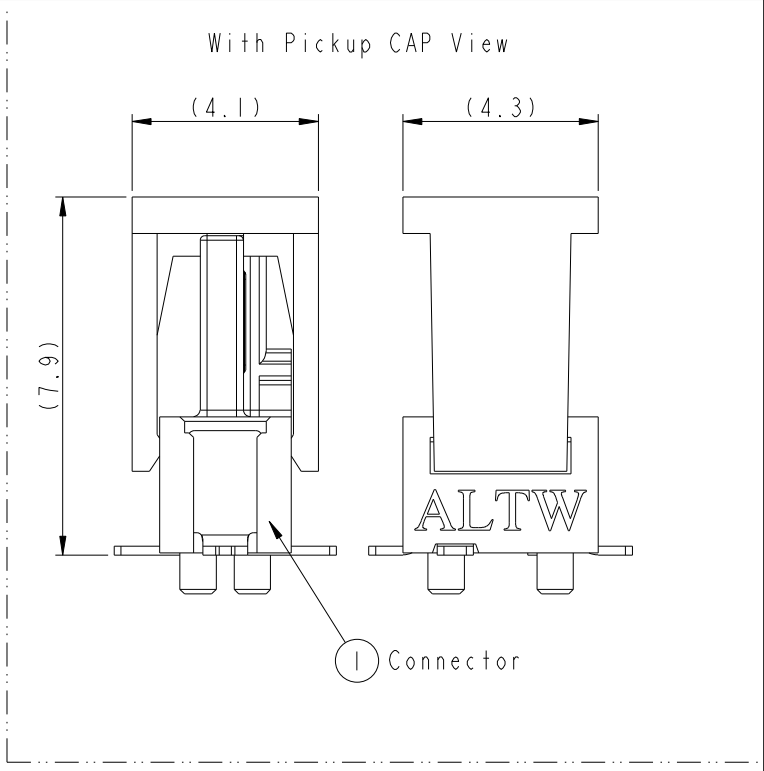
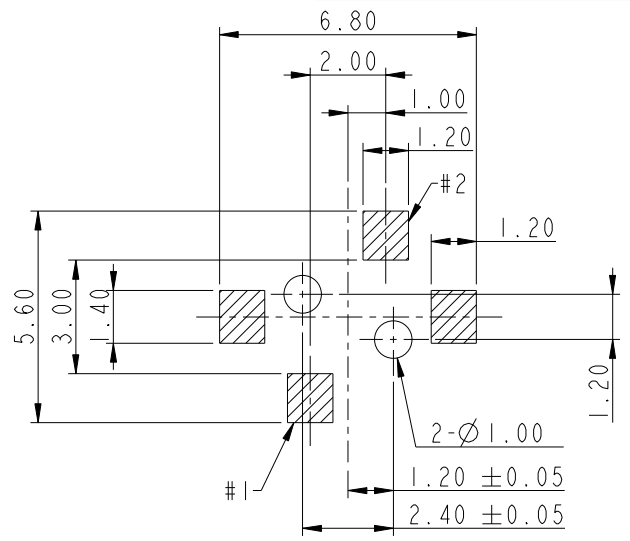
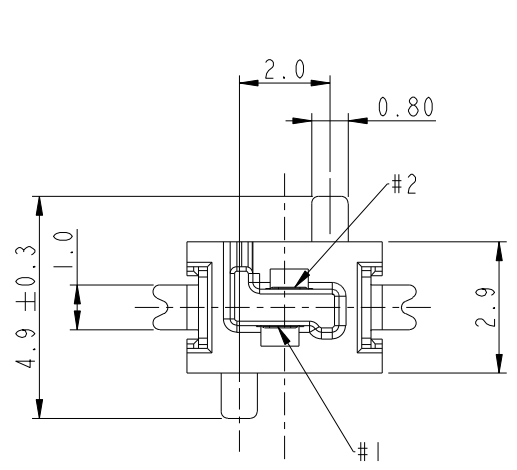


REV.	ECN NO.	DATE	SIGN	DESCRIPTION
A	Initial Release	2013-11-04	Fisher	Initial Release



- Notes:
- \* (M) Important Dimension To Check.
  - \* Housing: High temperature thermoplastic. UL94V-0, color is Natural white.
  - \* Pickup Cap: High temperature thermoplastic. UL94V-0, color is Black.
  - \* Terminal: Copper Alloy, Gold Plated on contact area. Tin plated on solder tails.
  - \* Solder Peg: Copper Alloy, Tin plated over Nickel.

UNIT: mm		
TOLERANCE	.X ± 0.25	
.XX	± 0.1	
.XXX	± 0.05	
ANGLES	± 1°	

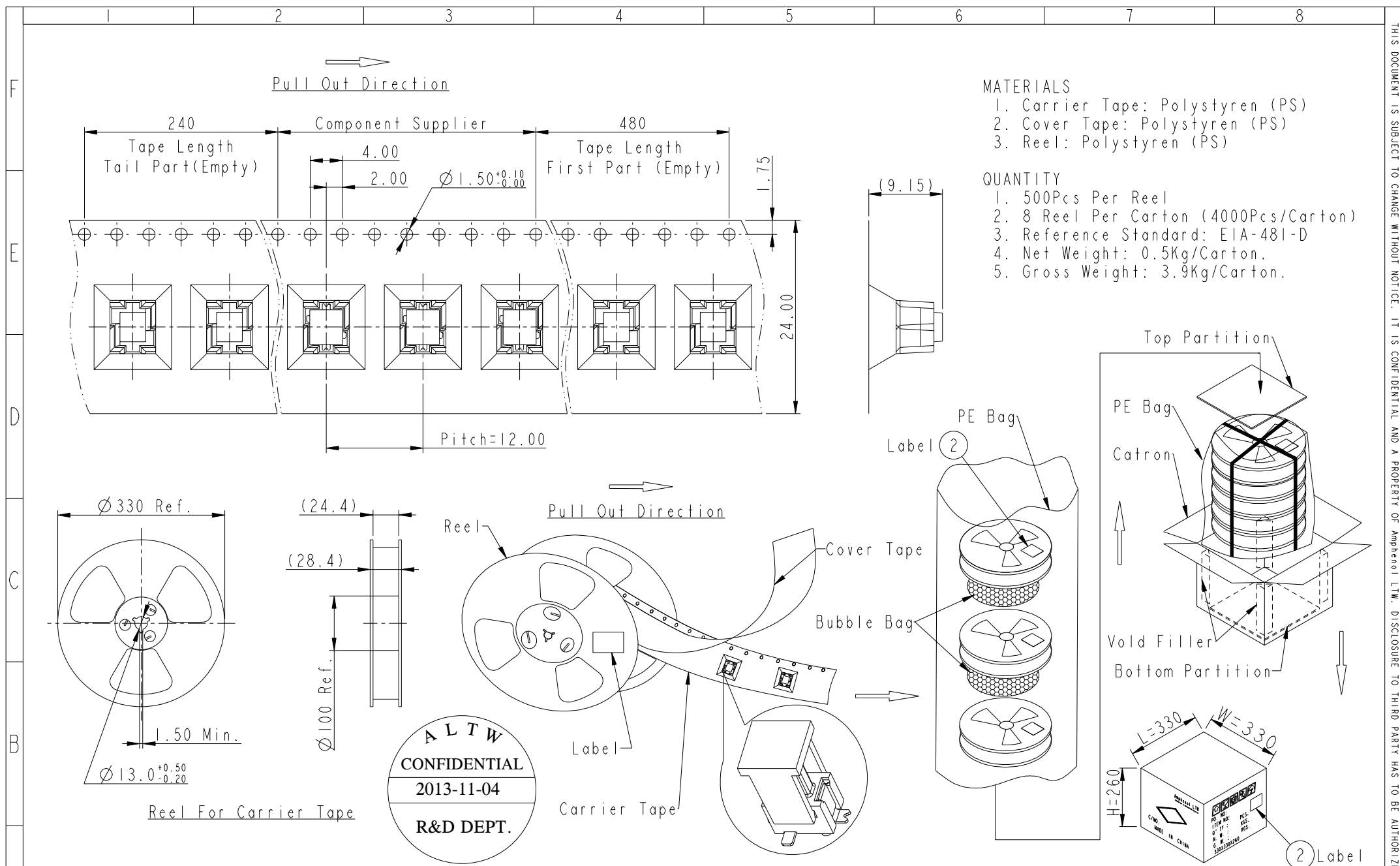
TITLE SSL1.1 DC 2P PLUG CONN, WITH POST, S/T, SMT TYPE			
SCALE 6:1	SIZE A4	SHEET 1 OF 2	
REV. A	WC-REV. A.7	QC: Inspection item	

**Amphenol LTW**  
安費諾亮泰企業股份有限公司

ITEM NO. SSL11-P2A00-000001	DRAWN BY Fisher_Wang	DATE 2013-11-04
DWG NO. SSL11-P2A00-000001	CHECKED BY Ivan_Lin	DATE 2013-11-04
CUSTOMER ALTW	APPROVED BY Kevin_Hu	DATE 2013-11-04

THIS DOCUMENT IS SUBJECT TO CHANGE WITHOUT NOTICE. IT IS CONFIDENTIAL AND A PROPERTY OF AMPHENOL LTW. DISCLOSURE TO THIRD PARTY HAS TO BE AUTHORIZED BY AMPHENOL LTW.

THIS DOCUMENT IS SUBJECT TO CHANGE WITHOUT NOTICE. IT IS CONFIDENTIAL AND A PROPERTY OF Amphenol LTW. DISCLOSURE TO THIRD PARTY HAS TO BE AUTHORIZED BY Amphenol LTW.



- MATERIALS**
1. Carrier Tape: Polystyren (PS)
  2. Cover Tape: Polystyren (PS)
  3. Reel: Polystyren (PS)
- QUANTITY**
1. 500Pcs Per Reel
  2. 8 Reel Per Carton (4000Pcs/Carton)
  3. Reference Standard: EIA-481-D
  4. Net Weight: 0.5Kg/Carton.
  5. Gross Weight: 3.9Kg/Carton.

**ALTW**  
 CONFIDENTIAL  
 2013-11-04  
 R&D DEPT.

UNIT: mm		
TOLERANCE	.X	±0.25
	.XX	±0.1
	.XXX	±0.05
ANGLES		±1°

TITLE SSL-1.1 DC 2P PLUG CONN, WITH POST,S/T,SMT TYPE			
SCALE	1:1	SIZE	A4
REV.	A	WC-REV.	A.7
		SHEET	2 OF 2
QC: Inspection item			

**Amphenol LTW**  
 安費諾亮泰企業股份有限公司

ITEM NO	SSL11-P2A00-000001	DRAWN BY	Fisher_Wang	DATE	2013-11-04
DWG NO	SSL11-P2A00-000001	CHECKED BY	Ivan_lin	DATE	2013-11-04
CUSTOMER	ALTW	APPROVED BY	Kevin_Hu	DATE	2013-11-04