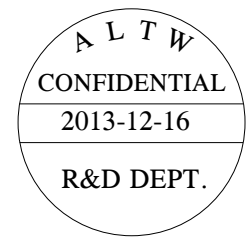
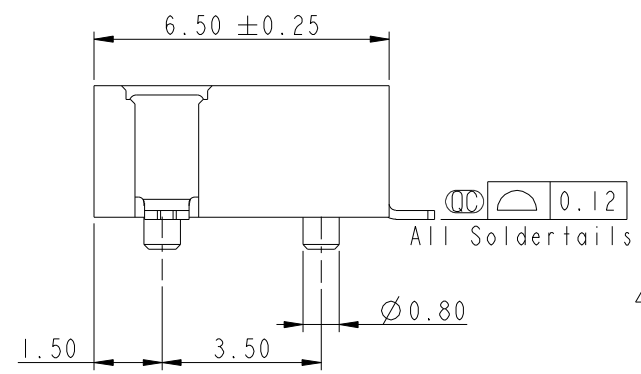
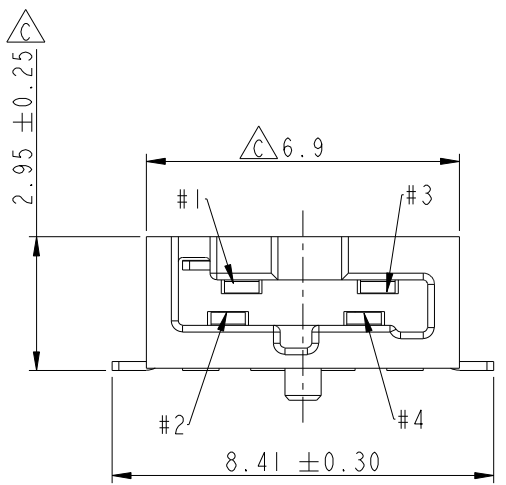
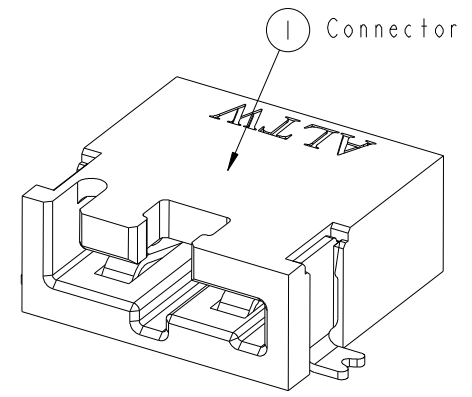
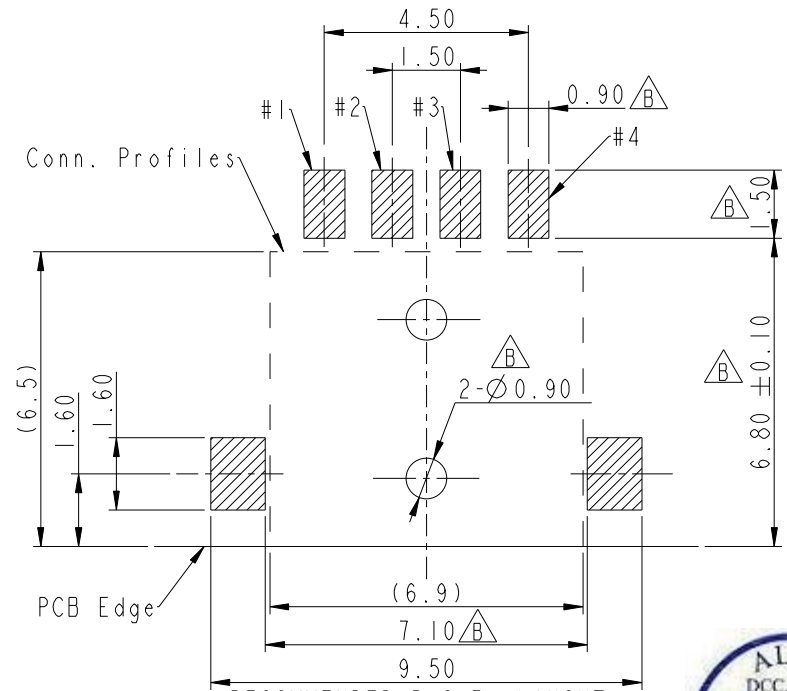
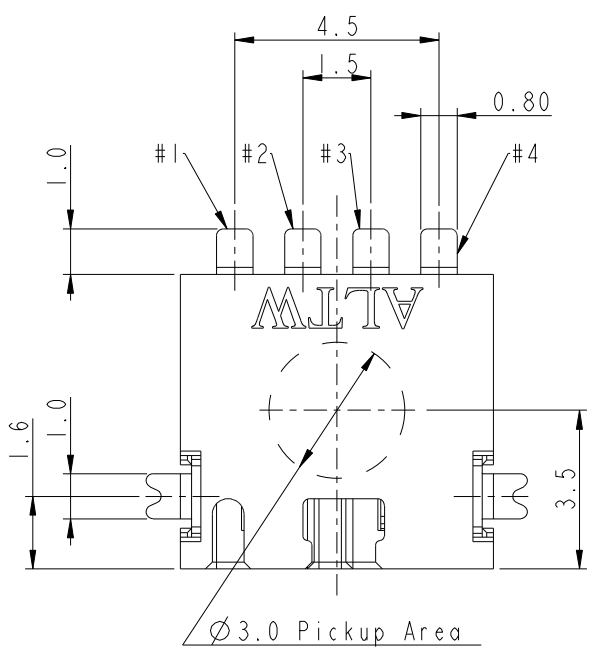


THIS DOCUMENT IS SUBJECT TO CHANGE WITHOUT NOTICE. IT IS CONFIDENTIAL AND A PROPERTY OF Amphenol LTW. DISCLOSURE TO THIRD PARTY HAS TO BE AUTHORIZED BY Amphenol LTW.

REV.	ECN NO.	DATE	SIGN	DESCRIPTION
A	Initial Release	2012-12-06	Fisher	Initial Release
B	LEN1310206	2013-02-20	Fisher	Change Plating and PCB Layout
C	LE313C0105	2013-12-16	Fisher	Change Plating and Package



- Notes:
- * Important Dimension To Check.
 - * Housing: High temperature thermoplastic. UL94V-0, color is Natural white.
 - * Terminal: Copper Alloy, Gold Plated on contact area. Tin plated on solder tails.
 - * Solder Peg: Copper Alloy, Tin plated over Nickel.

UNIT: mm		
TOLERANCE	.X ±0.25	
	.XX ±0.1	
	.XXX ±0.05	
ANGLES	±1°	

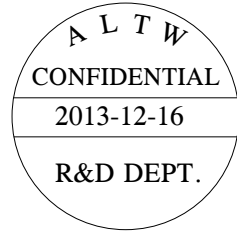
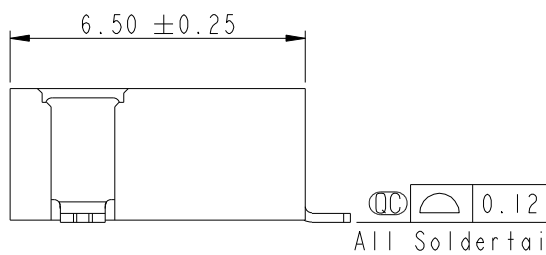
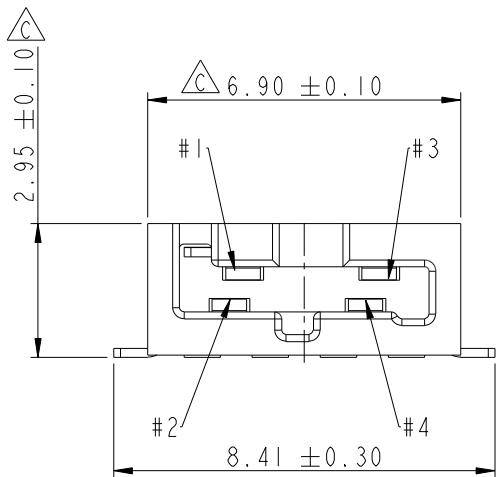
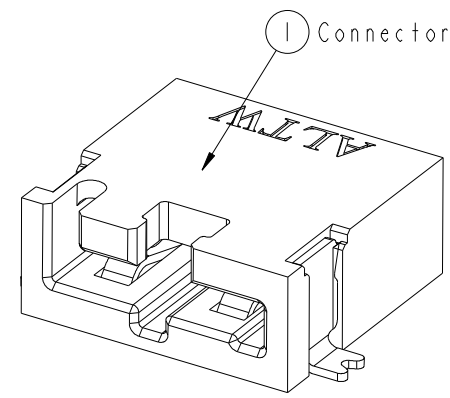
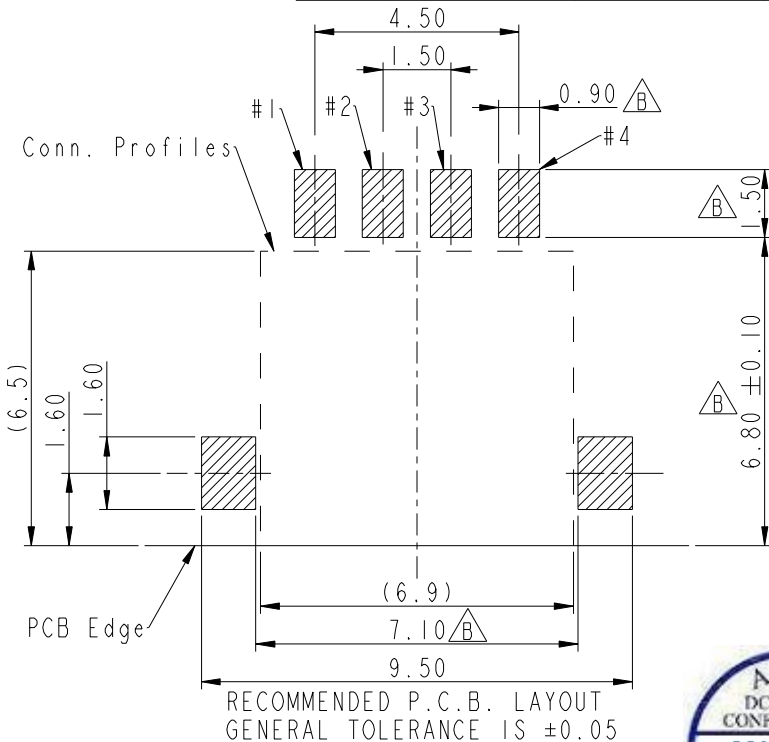
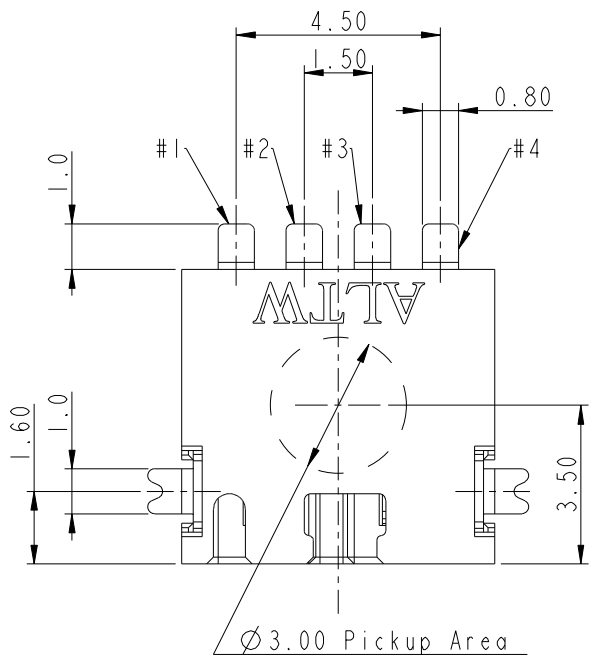
TITLE SSL-1.1 DC JACK CONNECTOR 4-POS. WITH POST, SMT TYPE			
SCALE	6:1	SIZE	A4
REV.	C	WC-REV.	C.2
		SHEET	1 OF 2
QC: Inspection item			

Amphenol LTW
安費諾亮泰企業股份有限公司

ITEM NO	SSL11-J4C00-000001	DRAWN BY	Fisher_Wang	DATE	2013-12-16
DWG NO	SSL11-J4C00-000001	CHECKED BY	Ivan_Lin	DATE	2013-12-16
CUSTOMER	ALTW	APPROVED BY	Kevin_Hu	DATE	2013-12-16

THIS DOCUMENT IS SUBJECT TO CHANGE WITHOUT NOTICE. IT IS CONFIDENTIAL AND A PROPERTY OF Amphenol LTW. DISCLOSURE TO THIRD PARTY HAS TO BE AUTHORIZED BY Amphenol LTW.

REV.	ECN NO.	DATE	SIGN	DESCRIPTION
A	Initial Release	2012-12-06	Fisher	Initial Release
B	LEN1310207	2013-02-20	Fisher	Change Plating and PCB Layout
C	LE313C0108	2013-12-16	Fisher	Change Plating and Package



- Notes:
- * Important Dimension To Check.
 - * Housing: High temperature thermoplastic. UL94V-0, color is Natural white.
 - * Terminal: Copper Alloy, Gold Plated on contact area. Tin plated on solder tails.
 - * Solder Peg: Copper Alloy, Tin plated over Nickel.

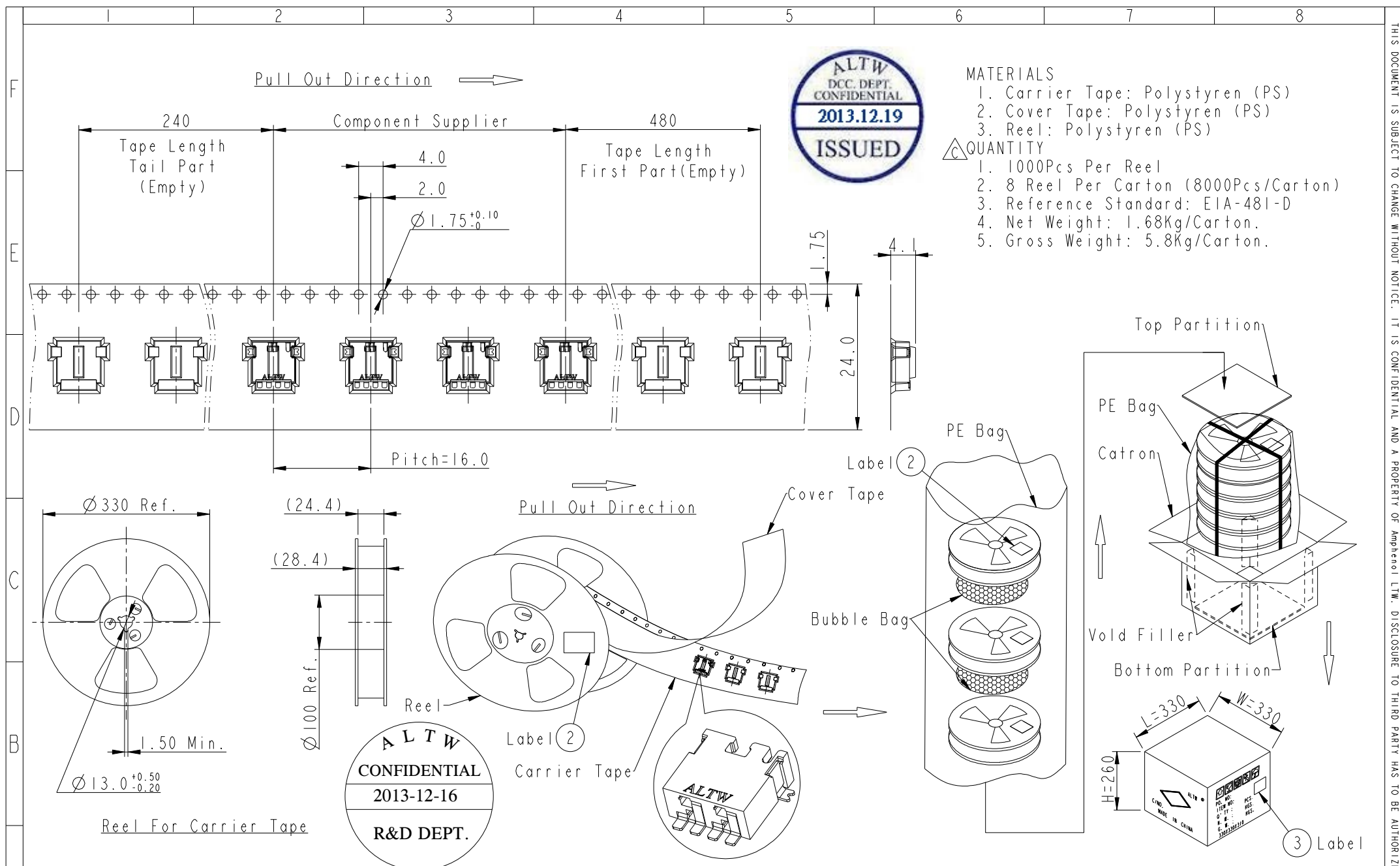
UNIT: mm		
TOLERANCE	.X ±0.25	
	.XX ±0.1	
	.XXX ±0.05	
ANGLES	±1°	

TITLE SSL-1.1 DC JACK CONNECTOR 4-POS. W/O POST, SMT TYPE			
SCALE	6:1	SIZE	A4
SHEET	1	OF	2
REV.	C	WC-REV.	C.2
QC: Inspection item			

Amphenol LTW
安費諾亮泰企業股份有限公司

ITEM NO	SSL11-J4D00-000001	DRAWN BY	Fisher_Wang	DATE	2013-12-16
DWG NO	SSL11-J4D00-000001	CHECKED BY	Ivan_Lin	DATE	2013-12-16
CUSTOMER	ALTW	APPROVED BY	Kevin_Hu	DATE	2013-12-16

THIS DOCUMENT IS SUBJECT TO CHANGE WITHOUT NOTICE. IT IS CONFIDENTIAL AND A PROPERTY OF Amphenol LTW. DISCLOSURE TO THIRD PARTY HAS TO BE AUTHORIZED BY Amphenol LTW.



- MATERIALS**
- Carrier Tape: Polystyren (PS)
 - Cover Tape: Polystyren (PS)
 - Reel: Polystyren (PS)
- QUANTITY**
- 1000Pcs Per Reel
 - 8 Reel Per Carton (8000Pcs/Carton)
 - Reference Standard: EIA-481-D
 - Net Weight: 1.68Kg/Carton.
 - Gross Weight: 5.8Kg/Carton.

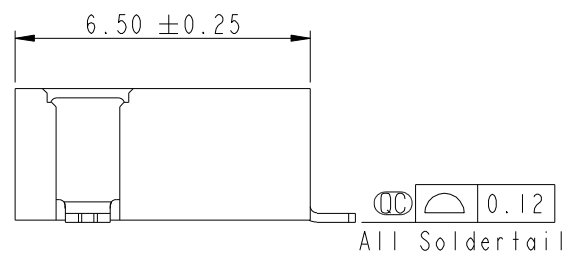
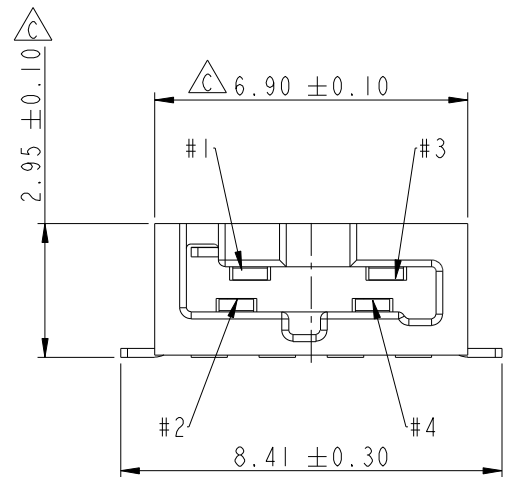
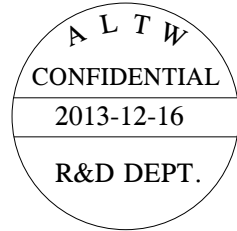
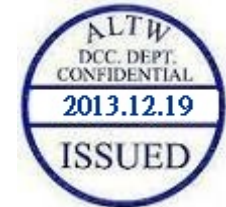
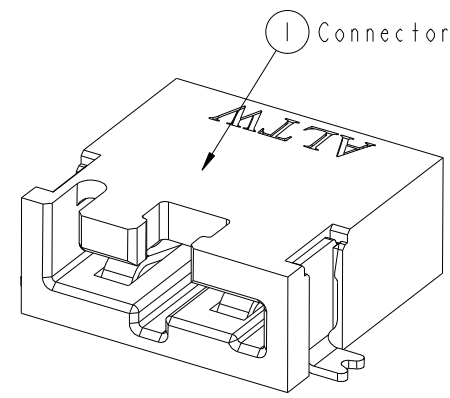
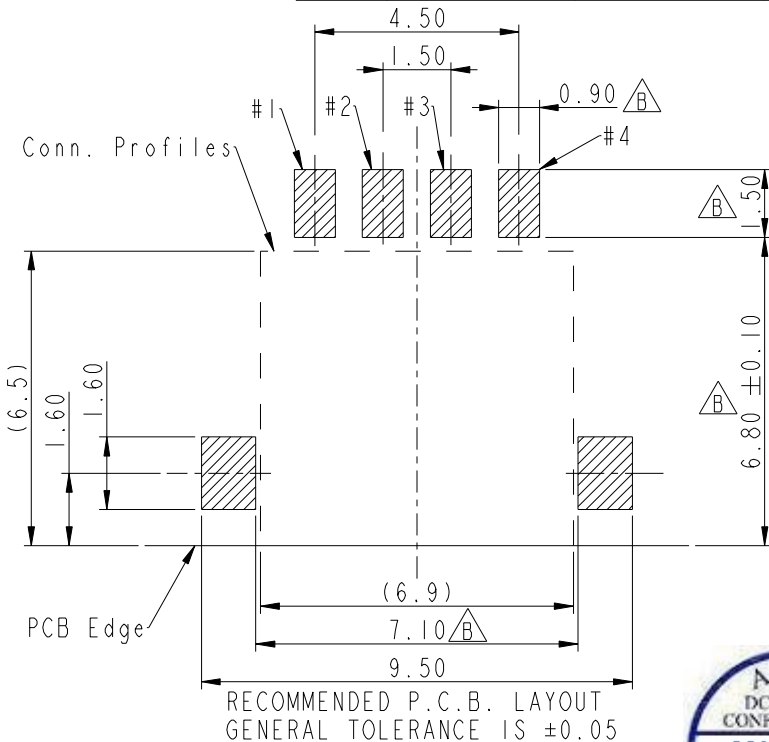
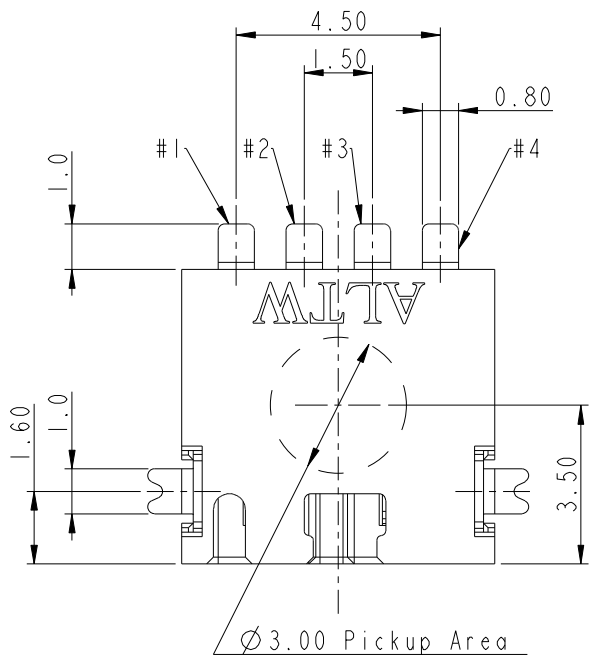
UNIT:mm		TITLE SSL-1.1 DC JACK CONNECTOR 4-POS. W/O POST, SMT TYPE
	TOLERANCE .X ±0.25 .XX ±0.1 .XXX ±0.05 ANGLES ±1°	
SCALE 5:1	SIZE A4	SHEET 2 OF 2
REV. C	WC-REV. C.2	QC: Inspection item

Amphenol LTW
安費諾亮泰企業股份有限公司

ITEM NO SSL11-J4D00-000001	DRAWN BY Fisher_Wang	DATE 2013-12-16
DWG NO SSL11-J4D00-000001	CHECKED BY Ivan_Lin	DATE 2013-12-16
CUSTOMER ALTW	APPROVED BY Kevin_Hu	DATE 2013-12-16

THIS DOCUMENT IS SUBJECT TO CHANGE WITHOUT NOTICE. IT IS CONFIDENTIAL AND A PROPERTY OF Amphenol LTW. DISCLOSURE TO THIRD PARTY HAS TO BE AUTHORIZED BY Amphenol LTW.

REV.	ECN NO.	DATE	SIGN	DESCRIPTION
A	Initial Release	2012-12-06	Fisher	Initial Release
B	LEN1310207	2013-02-20	Fisher	Change Plating and PCB Layout
C	LE313C0108	2013-12-16	Fisher	Change Plating and Package



RECOMMENDED P.C.B. LAYOUT
GENERAL TOLERANCE IS ±0.05

- Notes:
- * Important Dimension To Check.
 - * Housing: High temperature thermoplastic. UL94V-0, color is Natural white.
 - * Terminal: Copper Alloy, Gold Plated on contact area. Tin plated on solder tails.
 - * Solder Peg: Copper Alloy, Tin plated over Nickel.

UNIT: mm

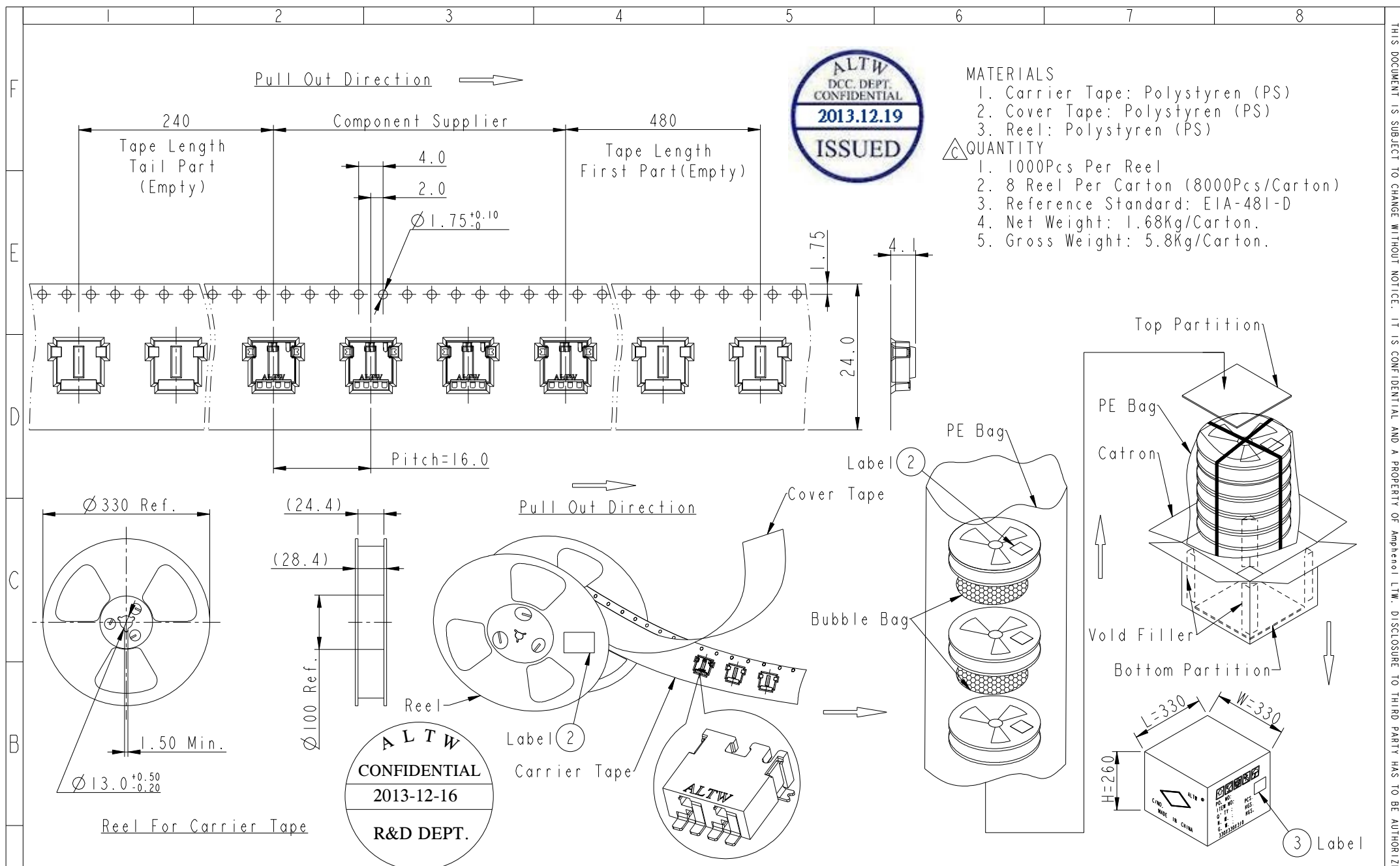
TOLERANCE	
.X	±0.25
.XX	±0.1
.XXX	±0.05
ANGLES	±1°

TITLE SSL-1.1 DC JACK CONNECTOR 4-POS. W/O POST, SMT TYPE			
SCALE	6:1	SIZE	A4
SHEET	1	OF	2
REV.	C	WC-REV.	C.2
QC: Inspection item			

Amphenol LTW
安費諾亮泰企業股份有限公司

ITEM NO	SSL11-J4D00-000001	DRAWN BY	Fisher_Wang	DATE	2013-12-16
DWG NO	SSL11-J4D00-000001	CHECKED BY	Ivan_Lin	DATE	2013-12-16
CUSTOMER	ALTW	APPROVED BY	Kevin_Hu	DATE	2013-12-16

THIS DOCUMENT IS SUBJECT TO CHANGE WITHOUT NOTICE. IT IS CONFIDENTIAL AND A PROPERTY OF Amphenol LTW. DISCLOSURE TO THIRD PARTY HAS TO BE AUTHORIZED BY Amphenol LTW.



- MATERIALS**
1. Carrier Tape: Polystyren (PS)
 2. Cover Tape: Polystyren (PS)
 3. Reel: Polystyren (PS)
- QUANTITY**
1. 1000Pcs Per Reel
 2. 8 Reel Per Carton (8000Pcs/Carton)
 3. Reference Standard: EIA-481-D
 4. Net Weight: 1.68Kg/Carton.
 5. Gross Weight: 5.8Kg/Carton.

ALTW
 CONFIDENTIAL
 2013-12-16
 R&D DEPT.

UNIT:mm TOLERANCE .X ±0.25 .XX ±0.1 .XXX ±0.05 ANGLES ±1°			TITLE SSL-1.1 DC JACK CONNECTOR 4-POS. W/O POST, SMT TYPE			ITEM NO SSL11-J4D00-000001	DRAWN BY Fisher_Wang	DATE 2013-12-16
			SCALE 5:1	SIZE A4	SHEET 2 OF 2	Amphenol LTW 安費諾亮泰企業股份有限公司		
REV. C	WC-REV. C.2	Inspection item	CUSTOMER ALTW			APPROVED BY Kevin_Hu	DATE 2013-12-16	

A

F

E

D

C

B

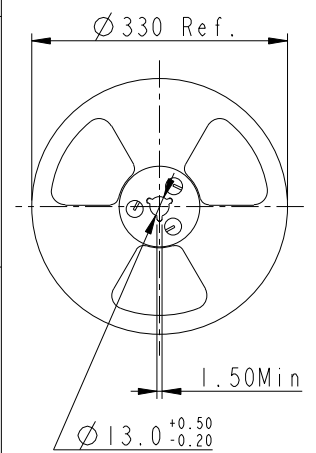
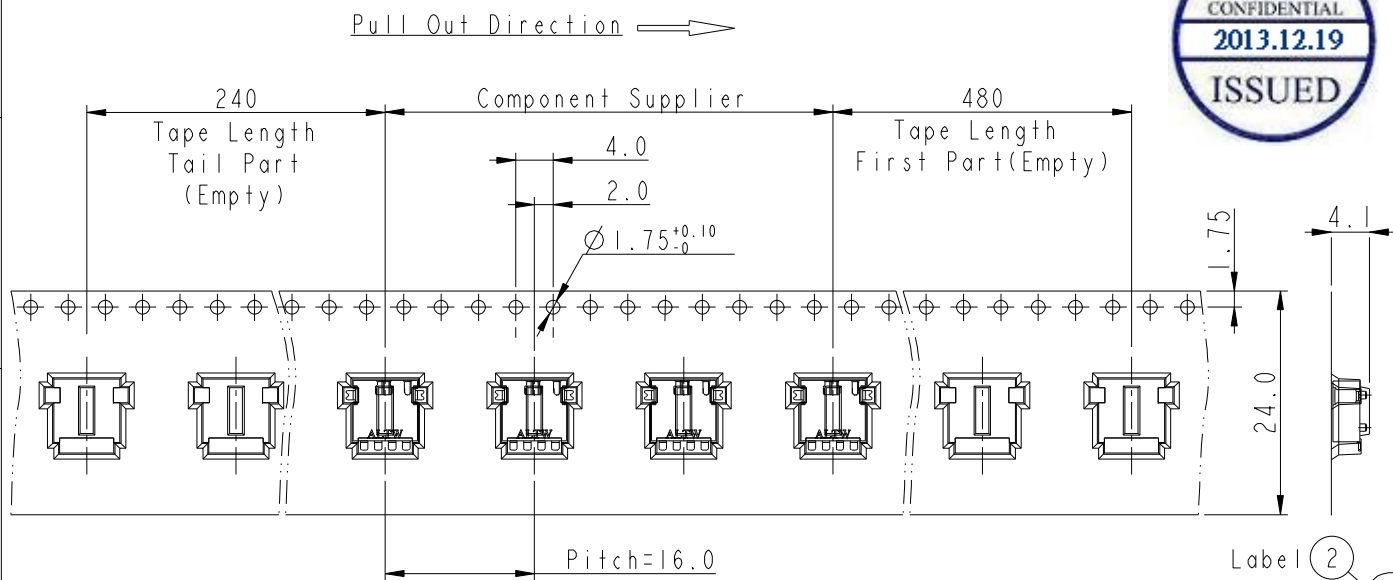
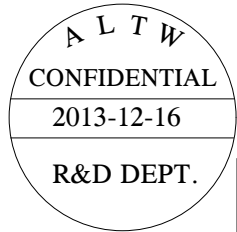
3 Label

THIS DOCUMENT IS SUBJECT TO CHANGE WITHOUT NOTICE. IT IS CONFIDENTIAL AND A PROPERTY OF Amphenol LTW. DISCLOSURE TO THIRD PARTY HAS TO BE AUTHORIZED BY Amphenol LTW.

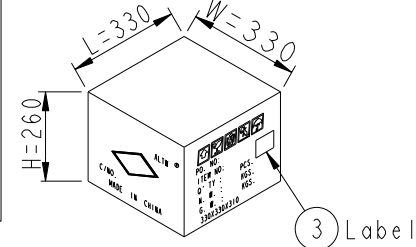
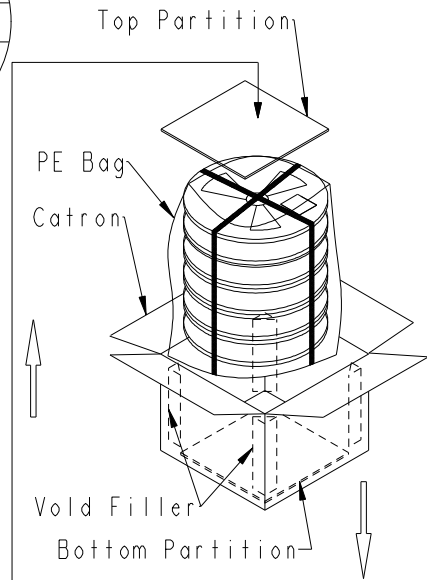
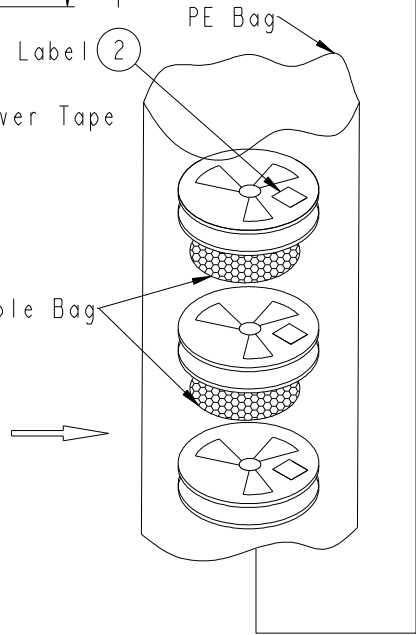
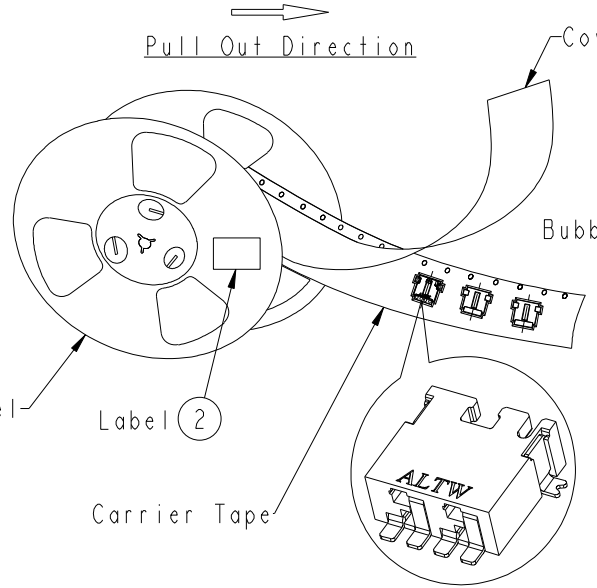
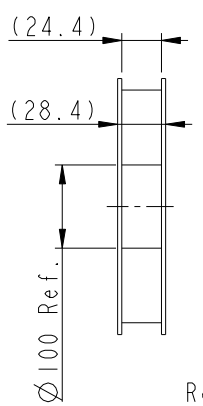


MATERIALS

1. Carrier Tape: Polystyren (PS)
 2. Cover Tape: Polystyren (PS)
 3. Reel: Polystyren (PS)
- △ **QUANTITY**
1. 1000Pcs Per Reel
 2. 8 Reel Per Carton (8000Pcs/Carton)
 3. Reference Standard: EIA-481-D
 4. Net Weight: 1.6Kg/Carton.
 5. Gross Weight: 5.8Kg/Carton.



Reel For Carrier Tape



UNIT:mm		
TOLERANCE		
.X	±0.25	
.XX	±0.1	
.XXX	±0.05	
ANGLES	±1°	

TITLE SSL-1.1 DC JACK CONNECTOR 4-POS. WITH POST, SMT TYPE			
SCALE	5:1	SIZE	A4
REV.	C	WC-REV.	C.2
SHEET 2 OF 2		QC: Inspection item	

Amphenol LTW
安費諾亮泰企業股份有限公司

ITEM NO	SSL11-J4C00-000001
DWG NO	SSL11-J4C00-000001
CUSTOMER	ALTW

DRAWN BY	Fisher_Wang
CHECKED BY	Ivan_Lin
APPROVED BY	Kevin_Hu

DATE	2013-12-16
DATE	2013-12-16
DATE	2013-12-16