



PRELIMINARY

SOLID STATE DEVICES, INC

14849 Firestone Boulevard · La Mirada, CA 90638
Phone: (714) 670-SSDI (7734) · Fax: (714) 522-7424

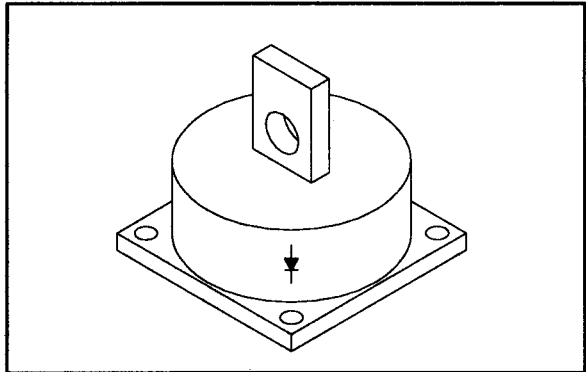
SDA46

Designer's Data Sheet

**300 AMPS
30 VOLTS
POWER SCHOTTKY
DIODE ASSEMBLY**

FEATURES:

- Each diode is VF matched to within 20mV of other diodes in array
- Hermetically sealed Schottky diode cells
- Hot carrier copper heat sinking mounting bracket
- Number and configuration of diodes can be customized
- TX, TXV and Space Level screening



MAXIMUM RATINGS

RATING	SYMBOL	VALUE	UNIT
Peak Repetitive Reverse and DC Blocking Voltage	VRRM	30	Volts
	VRWM		
	VR		
Average Rectified Forward Current (Resistive Load, 60Hz, Sine Wave, TA=25°C)	Io	300	Amps
Peak Surge Current (8.3 ms Pulse, Half Sine Wave Superimposed on Io, allow junction to reach equilibrium between pulses, TA=25°C)	IFSM	1200	Amps
Operating and storage temperature	Top & Tstg	-65 to +125	°C
Maximum Thermal Resistance Junction to Case	RθJC	0.25	°C/W

NOTE: All specifications are subject to change without notification. SCD's for these devices should be reviewed by SSDI prior to release.

DATA SHEET#: RS0219 A

RMD

SDA46

PRELIMINARY



SOLID STATE DEVICES, INC

14849 Firestone Boulevard · La Mirada, CA 90638
Phone: (714) 670-SSDI (7734) · Fax: (714) 522-7424

ELECTRICAL CHARACTERISTICS

CHARACTERISTICS	SYMBOL	MAXIMUM	UNIT
Instantaneous Forward Voltage Drop ($I_F = 300 \text{ A dc}$, $T_A = 25^\circ\text{C}$, 300 μs Pulse)	VF	0.65	Vdc
Instantaneous Forward Voltage Drop ($I_F = 300 \text{ A dc}$, $T_A = -55^\circ\text{C}$, 300 μs Pulse)	VF	0.69	Vdc
Reverse Leakage Current (Rated V_R , $T_A = 25^\circ\text{C}$, 300 μs pulse minimum)	IR	300	mA
Reverse Leakage Current (Rated V_R , $T_A = 85^\circ\text{C}$, 300 μs pulse minimum)	IR	2.5	A
Junction Capacitance ($V_R = 10 \text{ Vdc}$, $T_A = 25^\circ\text{C}$, $f = 1 \text{ MHz}$)	CJ	3000	pf

CASE OUTLINE:

