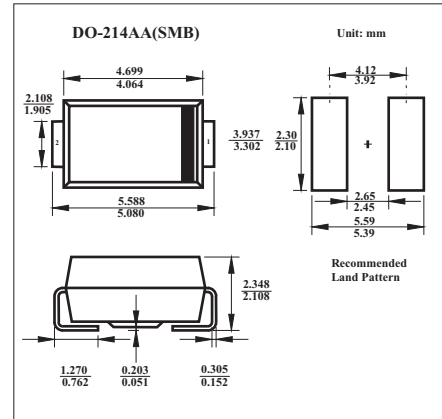


**P6SMBJ6.5A**

■ **Features**

- For surface mounted applications in order to optimize board space.
- Low profile package
- Built-in strain relief
- Glass passivated junction
- Excellent clamping capability
- Low inductance



■ **Absolute Maximum Ratings Ta = 25°C**

Parameter	Symbol	Ratings	Units
Peak Power Dissipation at Ta=25°C, TP=1ms (Note 1,2)	PPPM	Minimum 600	W
Peak Forward Surge Current (Note 2,3)	IFSM	100	A
Peak Pulse Current Current on 10/1000µs waveform (Note 1)	IPPM	See Table	A
Operating and Storage Temperature Range	Tj, TSTG	-55 to +150	°C

■ **Electrical Characteristics Ta = 25°C**

Part Number	Reverse Stand-off Voltage	Breakdown Voltage		Test Current	Reverse Leakage	Max. Clamp Voltage	Peak Pulse Current
	VRWM	VBR @ IT		IT	IR @ VRWM	VC @ IPP	IPP
		Min.	Max.				
	V	V	V	mA	µA	V	A
P6SMBJ6.5A	6.5	7.22	8.30	10	500	11.2	53.6

NOTES:

- 1.Non-repetitive current pulse, per Fig. 3 and derated above Ta=25°C per
- 2.Mounted on 5.0mm<sup>2</sup> (.013mm thick) land areas.
- 3.Measured on 8.3ms , single half sine-wave or equivalent square wave , duty cycle= 4 pulses per minutes maximum.

■ **Marking**

Marking	KK
---------	----

# P6SMBJ6.5A

## Typical Characteristics

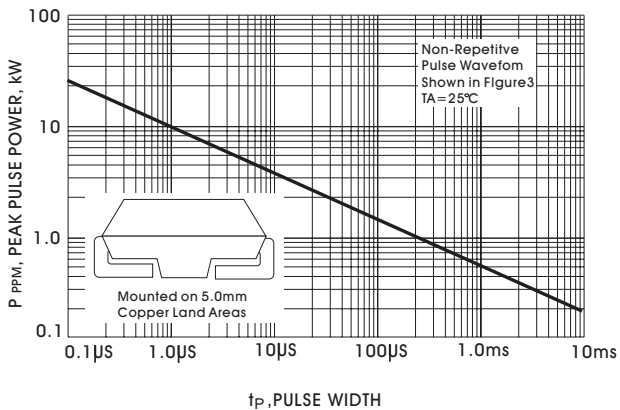


Figure 1, Peak Pulse Power Rating Curve

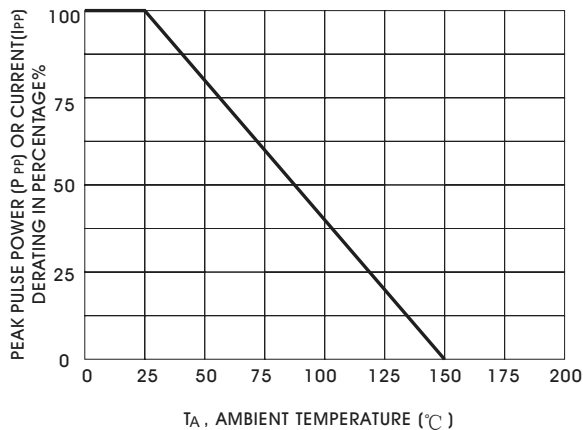


Figure 2, Derating Curve

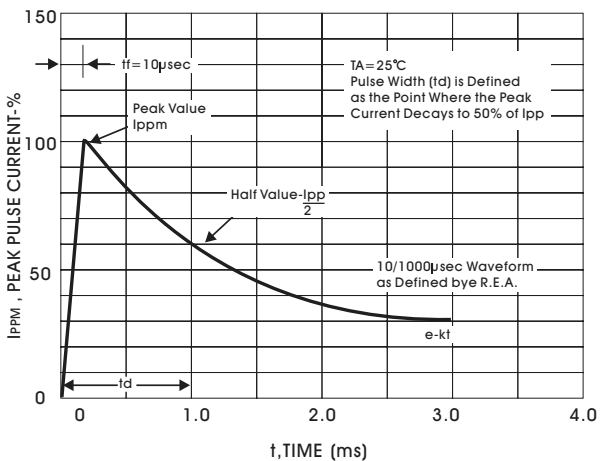


Figure 3, Pulse Waveform

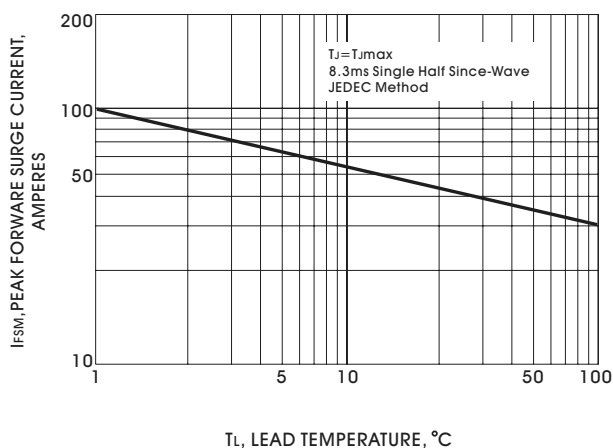


Figure 4, Maximum Non-Repetitive Peak Forward Surge Current

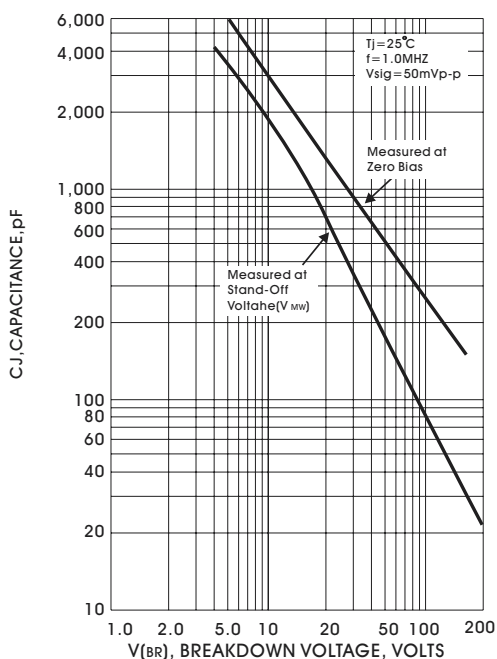


Figure 5, Typical Capacitance