

SC2-Type Plug  
LGC-300 Series


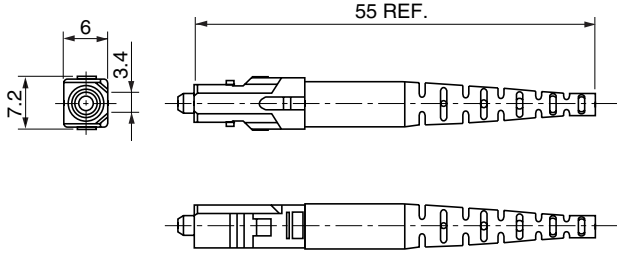
SC-Type


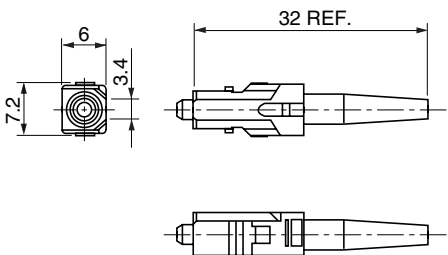
JIS C 5973 F04 Type

SC2 Plug

The SC2-type plug consists of a plug housing and ferrule.  
The plug housing is applicable to the simplex only, while the ferrule is the same as in FC-type connector plug.  
This plug is inserted or pulled out by using the exclusive removing tool (LGC-KP2).

SC2-Type Plug Housing (SC2-PH Type Plug Housing)

Item Number	Applicable Outside Diameter of Optical fiber cords	Note
LGC-PH373	ø2mm	For PC polishing (Boot color : Blue)
LGC-PH373L		For AdPC polishing (Boot color : Mauve)
LGC-PH374	ø2.8mm	For PC polishing (Boot color : Blue)
LGC-PH374L		For AdPC polishing (Boot color : Mauve)
		unit(mm)
		
		Ferrule is Excluded.

Item Number	Applicable Outside Diameter of Optical fiber cords	Note
LGC-PH329	ø0.9mm	For PC polishing (Boot color : Blue)
LGC-PH329L		For AdPC polishing (Boot color : Mauve)
		unit(mm)
		
		Ferrule is Excluded.