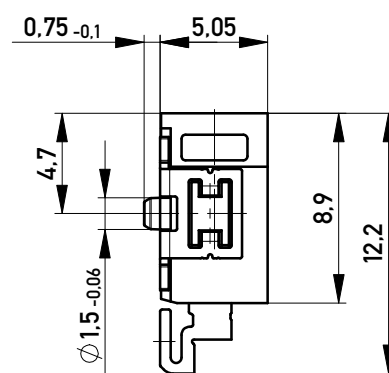
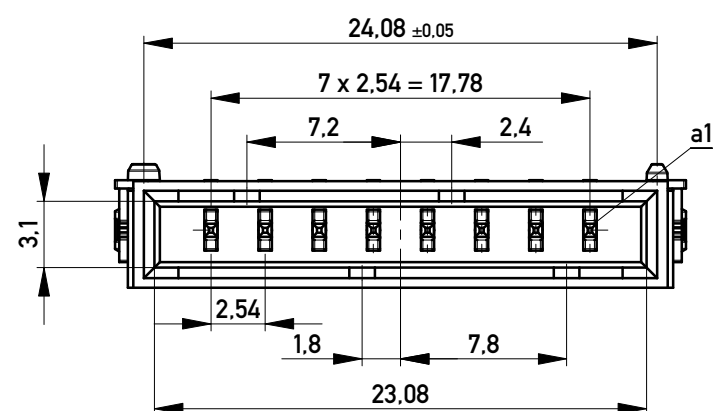
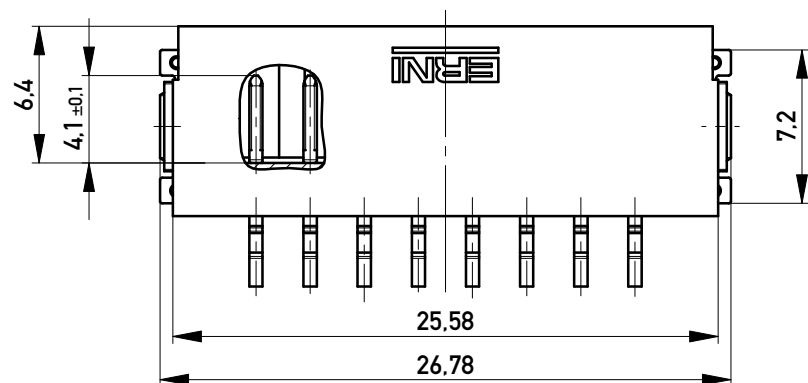
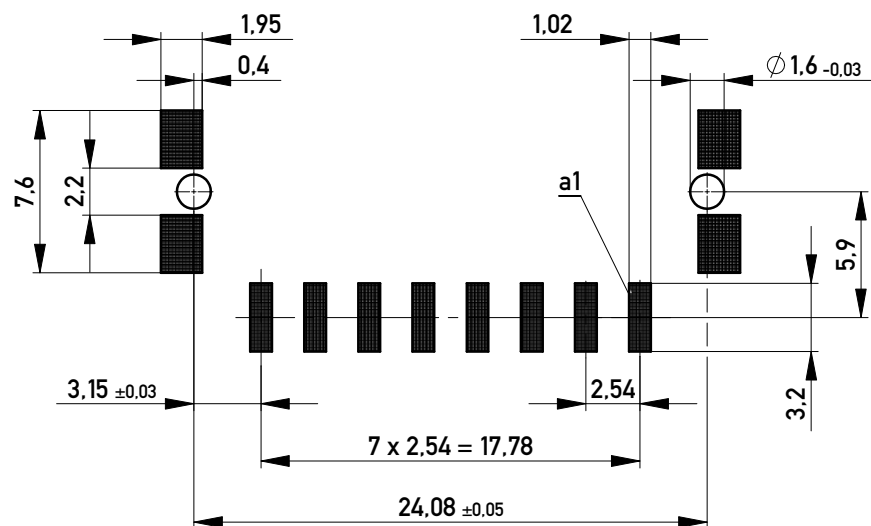


Leiterplatten-Layout Vorschlag für SMT
PCB-Layout Proposal for SMT



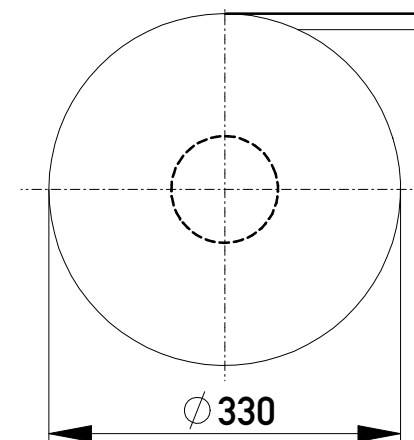
Anforderungsstufe 1
Performance Level 1

Kontaktbereich vergoldet
Mating Area gold plating

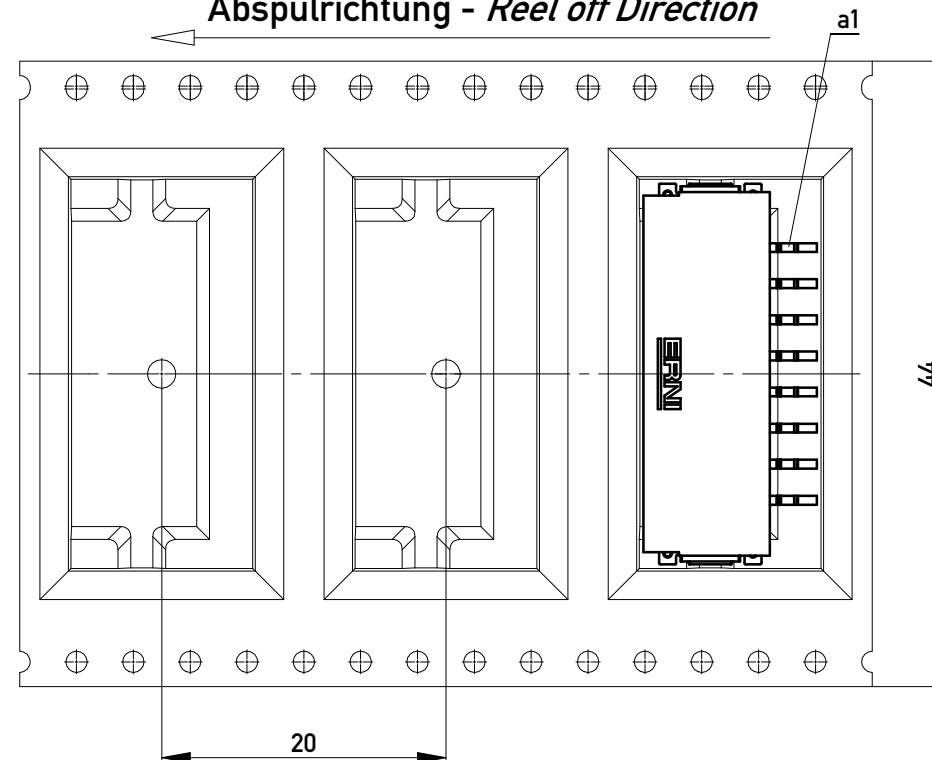
Anschlussbereich verzinkt 4-6 µm
Terminal Area 4-6 µm tin plating

Koplanarität der Anschlüsse ≤ 0,1 mm
Coplanarity Area of Termination ≤ 0,1 mm

Verpackt in Gurtverpackung
Tape on Reel Packaging
Verpackungseinheit: 440 Stück
Packaging unit: 440 pcs



Abspulrichtung - Reel off Direction



| | | | |
|--|---|--|---|
| Copyright by ERNI GmbH Proprietary notice pursuant to ISO 16016 to be observed. | Information: Codierung blau - coding blue | Tolerances All Dimensions in mm | Scale 3:1 |
| | All rights reserved. Only for Information. To ensure that this is the latest version of this drawing, please contact one of the ERNI companies before using. | Subject to modification without prior notice. Drawing will not be updated. | Designation M 2,54 SRC-A, 8-polig |
| e Index | 22.04.2013 Date | www.ERNI.com | 101302000001 |
| | | Class SRCA | K A3 |