

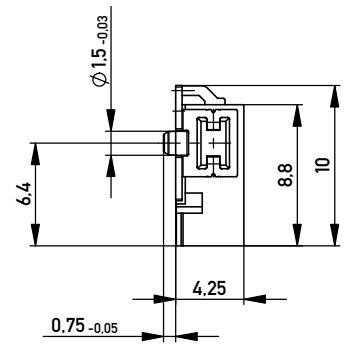
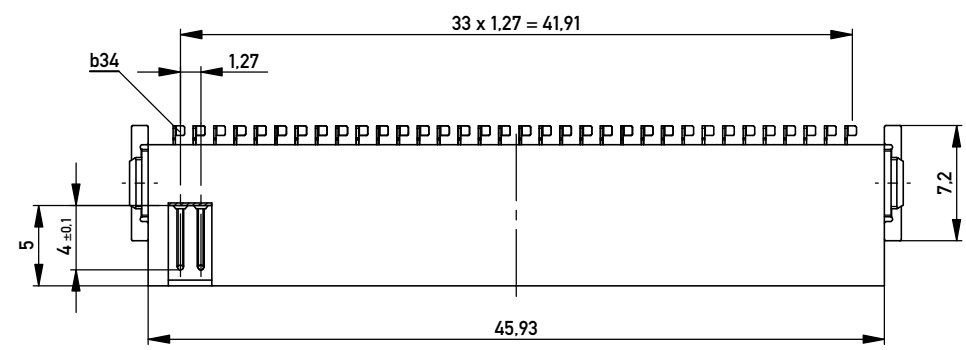
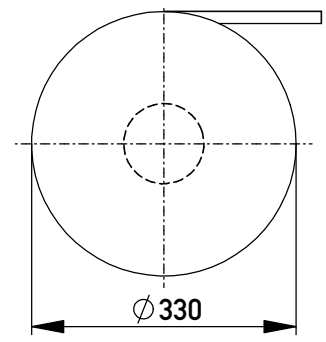
Anforderungsstufe 1  
Performance Level 1

Kontaktbereich vergoldet  
Mating Area gold plating

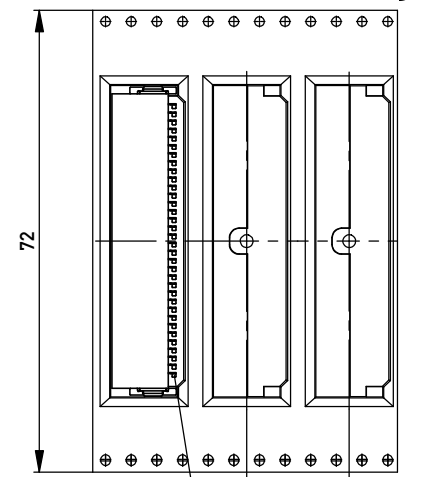
Anschlussbereich verzinkt 4-6 µm  
Terminal Area 4-6 µm tin plating

Koplanarität der Anschlüsse ≤ 0,1 mm  
Coplanarity Area of Termination ≤ 0,1 mm

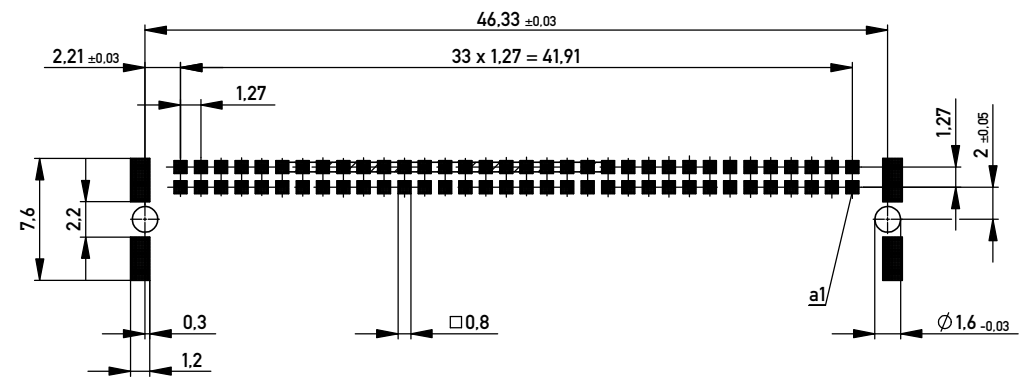
Verpackt in Gurtverpackung  
Tape on Reel Packaging  
Verpackungseinheit: 560 Stück  
Packaging unit: 560 pcs



Abspulrichtung - Reel off Direction



Leiterplatten-Layout Vorschlag für SMT  
PCB-Layout Proposal for SMT



Bedruckungsvorschrift siehe Zeichnung: 454326  
prints specification see drawing: 454326

Extra durable Au plating!

BA7-03 - Standard Bauhöhe  
type7-03 - Standard Assembly Height

Information: Anforderungsstufe 107 / class 107  All rights reserved. Only for Information. To ensure that this is the latest version of this drawing, please contact one of the ERNI companies before using.	Tolerances  All Dimensions in mm	Scale 3:1	Designation <b>Messertl. SMC-B 68-SMD-BA7-03</b> <b>Male SMC-B 68-SMD-type7-03</b>	www.ERNI.com	<b>100401030001</b>	K A3

Copyright by ERNI GmbH  
 Proprietary notice pursuant to ISO 16018 to be observed.