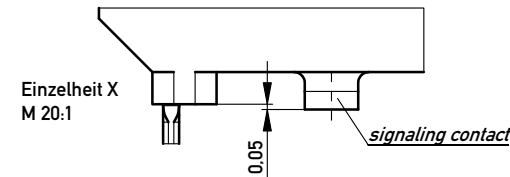
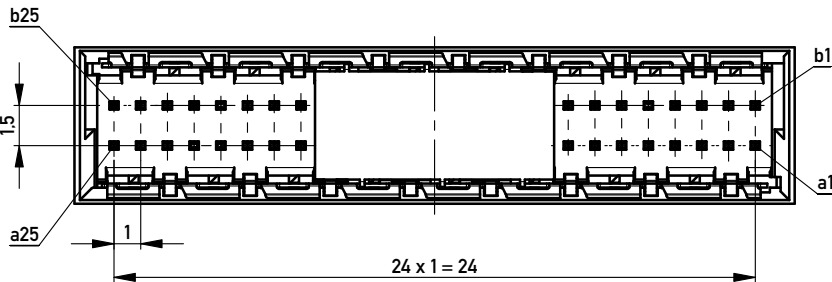
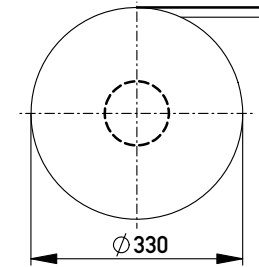
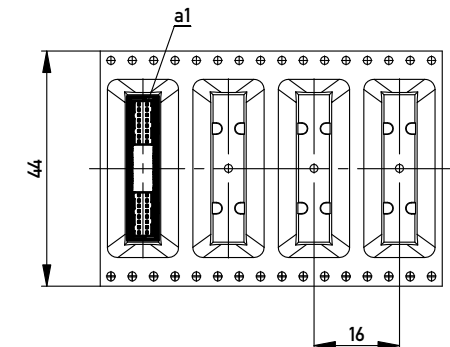


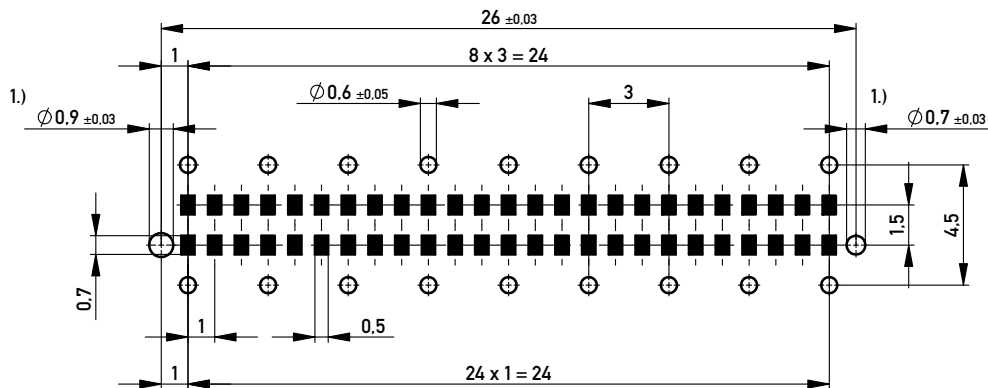
Verpackt in Gurtverpackung
Tape on Reel Packaging
Verpackungseinheit: 220 Stück
Packaging unit: 220 pcs



Abspulrichtung - Reel off Direction



Leiterplatten-Layout Vorschlag / PCP-Layout Proposal



1.) Durchmesser des Bohrers / Drill tool

Anforderungsstufe 1
Performance Level 1

Kontaktbereich vergoldet
Mating Area gold plating

Anschlussbereich verzinkt 4-6 µm
Terminal Area 4-6 µm tin plating

Koplanarität der Anschlüsse ≤ 0,1 mm
Coplanarity Area of Termination ≤ 0,1 mm

Information:	Tolerances	 All Dimensions in mm	Scale	5:1
	All rights reserved. Only for Information. To ensure that this is the latest version of this drawing, please contact one of the ERNI companies before using.			
Subject to modification without prior notice. Drawing will not be updated.	Designation		Messerleiste 9mm THR, 50 polig Male 9mm THR, 50 contacts	
	www.ERNI.com		224560	
i	11.02.2013	Class		MSPEED
Index	Date			I A3

Copyright by ERNI GmbH. Proprietary notice pursuant to ISO 9006 to be observed.