

OPTOTRONIC®

50 Watt, Multiple Channel, Dimmable Class 2 Power Supply



Key Features & Benefits

- Universal Input Voltage – 120-277V AC 50/60 Hz
- Four (4) output channels – Constant current configurations
- Custom output configurations available within the range of 150-350mA in 10mA increments (e.g. 350mA, 340mA, 330mA, etc.)
- Dimmable with 0-10V dimmers
- Short circuit, overload and overheat protection
- Class 2 output
- Extended CFL housing



UL8750/1310 Recognized
Class 2 Unit (UL File# E320395)
Compliant to 47 CFR, Part 15 Class B

This light source meets restrictions on hazardous substances.

Electrical Specifications

Total Output Power (W)	Input Voltage (VAC)	Max Input Current (AAC)	Power Factor	Inrush Current (A _{PK})	THD	Surge Protection (kV)	Efficiency	Load Regulation	Dimming Control	Dimming Range	Environmental Rating	UL File #
Max 50W	120-277V AC 50/60Hz	0.50A @ 120V 0.21A @ 277V	>0.9	<55A	<20%	3kV	85% Typical	<+/- 5%	0-10V	10 – 100 %	Damp	E320395

Note: Maximum output power on all channels combined in any configuration (standard or custom) cannot exceed 50W. Other limitations to Class 2 output apply.

Ordering Information

Constant Current Configuration

Item Number	Ordering Abbreviation	Number of Channels	Total Power	Output Per Channel		
				Current (mA)	Voltage Range	Max Load (W)
79306	OT25W/4X150C/UNV/DIM	4	25W	150 mA	10 – 40V DC	6W
79312	OT25W/4X160C/UNV/DIM	4	25W	160 mA	10 – 40V DC	6W
79313	OT30W/4X190C/UNV/DIM	4	30W	190 mA	10 – 40V DC	7.5W
79305	OT32W/4X200C/UNV/DIM	4	32W	200 mA	10 – 40V DC	8W
79314	OT35W/4X220C/UNV/DIM	4	35W	220 mA	10 – 40V DC	9W
79308	OT40W/4X230C/UNV/DIM	4	40W	230 mA	10 – 40V DC	10W
79307	OT40W/4X240C/UNV/DIM	4	40W	240 mA	10 – 40V DC	10W
79304	OT40W/4X250C/UNV/DIM	4	40W	250 mA	10 – 40V DC	10W
79309	OT45W/4X260C/UNV/DIM	4	45W	260 mA	10 – 40V DC	11W
79310	OT45W/4X270C/UNV/DIM	4	45W	260 mA	10 – 40V DC	11W
79303	OT45W/4X280C/UNV/DIM	4	45W	280 mA	10 – 40V DC	11W
79311	OT46W/4X290C/UNV/DIM	4	46W	290 mA	10 – 40V DC	11.5W
79301	OT50W/4X300C/UNV/DIM	4	50W	300 mA	10 – 40V DC	12W
79302	OT50W/4X320C/UNV/DIM	4	50W	320 mA	10 – 40V DC	12.5W
79300	OT50W/4X350C/UNV/DIM	4	50W	350 mA	10 – 40V DC	12.5W

* Custom output configurations - Constant current output range 150-350mA. Available in 10mA increments.

Minimum and Maximum Ratings

Parameter	Values
Maximum Case Temperature (T _c point)	75°C (167°F)
Operating Temperature	-30° to +50°C (-22° to +122°F)
Storage Temperature	-30° to +80°C (-22° to +176°F)
Maximum Relative Humidity	80% (Non-condensing)
Remote Mounting Distance	32 feet

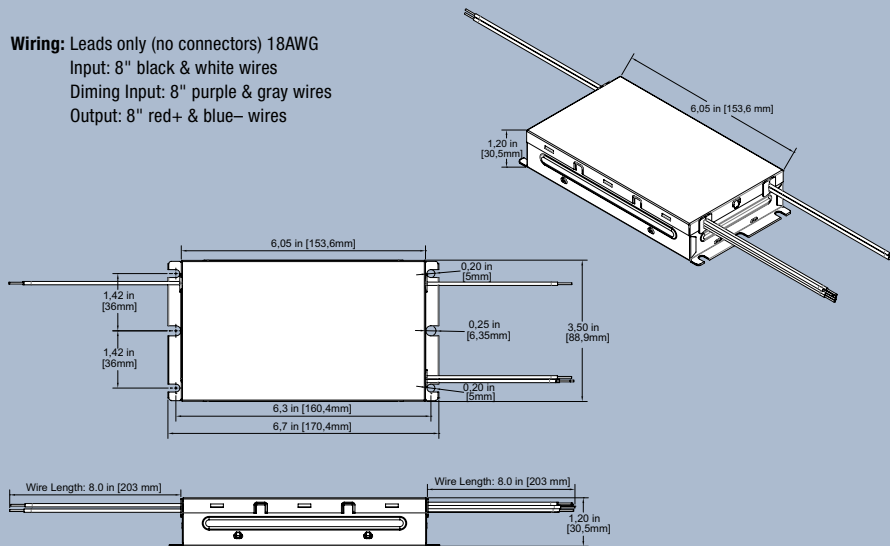


Specification Data

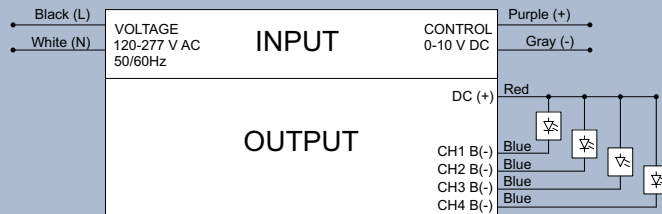
Catalog #	Type
Project	
Comments	
Prepared by	

Assembly Diagram

Wiring: Leads only (no connectors) 18AWG
 Input: 8" black & white wires
 Dimming Input: 8" purple & gray wires
 Output: 8" red+ & blue- wires



Wiring Diagram



Safety Information

WARNING: ONLY QUALIFIED PERSONNEL SHOULD PERFORM INSTALLATION.

TO AVOID ELECTRICAL SHOCK OR COMPONENT DAMAGE, DISCONNECT POWER BEFORE ATTEMPTING INSTALLATION OF THE POWER SUPPLIES AND/OR MODULES.

Failure to install the power supplies and/or LED modules in accordance with the National Electric Code (NEC), all applicable Federal, State and local electric codes as well as the specific Underwriters Laboratories (UL) safety standards for the installation, location and application may cause serious personal injury, death, property damage and/or product malfunction.

1. Maximum Total LED load, on all four channels combined in any configuration is limited to 50W, unless otherwise noted.
2. Output voltage is limited to 40V DC for any current level.
3. For best performance load all channels evenly.
4. All channels are dimmed simultaneously.

SYLVANIA is a registered trademark of OSRAM SYLVANIA Inc.
 SEE THE WORLD IN A NEW LIGHT is a registered trademark of OSRAM SYLVANIA Inc.
 OPTOTRONIC is a registered trademark of OSRAM AG.
 Specifications subject to change without notice.

Specifications

Power Supply(s) shall be OPTOTRONIC® 50 Watt Multiple Channel, Dimmable with 0-10V type dimmers and 120-277VAC Input Voltage Range (OT50W/x/UNV/DIM). Power Supply(s) shall have (4) output channels with output current of (320mA). Power Supply(s) shall be UL8750 recognized Class 2 power unit(s), Damp rated and FCC 47 CFR Part 15 Class B compliant.

Warranty

OPTOTRONIC® Products are covered by our LED Module, OPTOTRONIC Power Supply or Control Warranty. For additional details, refer to the latest version of the warranty (LEDO89) available at www.sylvania.com.

Packaging

Quantity: 10 pieces/carton
 Weight: 1.44 lbs each (approx.)
 15 lbs/carton

United States

OSRAM SYLVANIA
 100 Endicott Street
 Danvers, MA 01923
 1-800-LIGHTBULB

Trade

Phone: 800-255-5042
 Fax: 800-255-5043

National Accounts

Phone: 800-562-4671
 Fax: 800-562-4674

OEM/Special Markets

Phone: 800-762-7191
 Fax: 800-762-7192

Retail

Phone: 800-842-7010
 Fax: 800-842-7011

SYLVANIA Lighting Services

Phone: 800-323-0572
 Fax: 800-537-0784

Display/Optic

Phone: 888-677-2627
 Fax: 855-543-1043

Canada

OSRAM SYLVANIA LTD.
 2001 Drew Road
 Mississauga, ON L5S 1S4
 1-800-LIGHTBULB

Trade

Phone: 800-263-2852
 Fax: 800-667-6772

OEM/Special Markets/Display/Optic

Phone: 800-265-2852
 Fax: 800-667-6772

Retail

Phone: 800-720-2852
 Fax: 800-667-6772

SYLVANIA Lighting Services

Phone: 800-663-4268
 Fax: 866-239-1278

Mexico

OSRAM MEXICO
 Tultitlan/Edo de Mexico
 Phone: 011-52-55-58-99-18-50

ENCELIUM Technologies

United States

Phone: 201-928-2400
 Fax: 201-928-4028

Canada

Phone: 905-731-7678
 Fax: 905-731-1401

www.sylvania.com