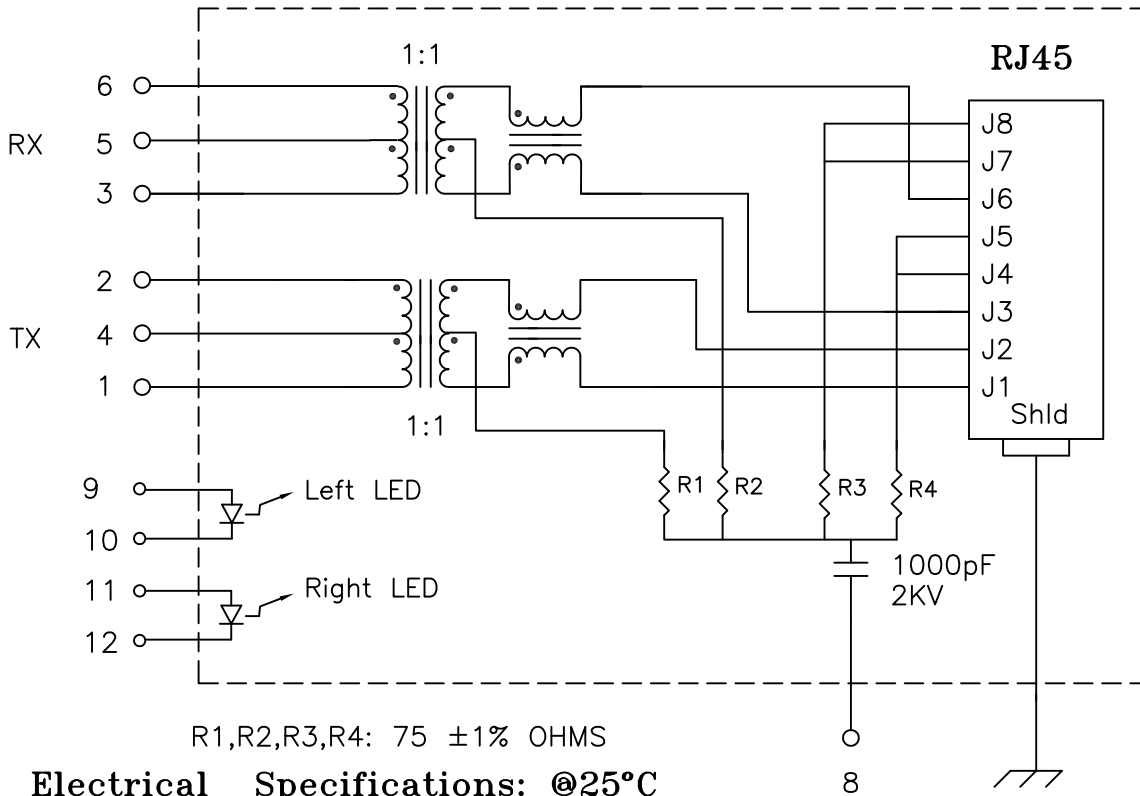


Schematic:

(One of Four)



Electrical Specifications: @25°C

- Isolation Voltage: 1500 Vac
- Isolation Voltage: 500 Vac (1+2+4 to 3+5+6)
- UTP SIDE OCL: 350uH Min @100KHz 100mV 8mADC
- Leakage Inductance: P6-P3 0.4uH Max @1MHz 100mV Short J6 and J3
- Leakage Inductance: P2-P1 0.4uH Max @1MHz 100mV Short J2 and J1
- Cww: (P6, P5, & P3) to (J6 & J3) 30pF Max @1MHz 100mV
- Cww: (P2, P4, & P1) to (J2 & J1) 30pF Max @1MHz 100mV
- DCR: (J6-J3) = (J2-J1) 1.2 Ohms Max
- Rise Time (10-90%): 2.5ns Typ
- Insertion Loss (100KHz-100MHz): -1.2dB Max
- Return Loss: -18dB Min @1MHz - 30MHz
- Return Loss: -12dB Min @60MHz - 80MHz
- Crosstalk: 40dB Typ @1MHz to 100MHz
- Common Mode to Differential Mode Rejection:
30MHz-100MHz -35dB Typ (Tx) / -35dB Typ (Rx)
- Q: 10 Min @100KHz 100mV

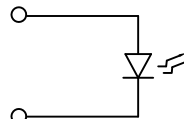
Complete the Combo P/N as follows:

Replace 'x' & 'u' in the part number with one of the LED color letters:

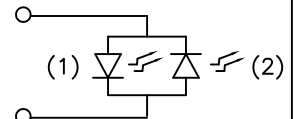
- Y=Yellow
- G=Green
- A=Amber
- R=Red
- 'x' = Left LED Color
- 'u' = Right LED Color

- C=Green(1)/Amber(2) Bicolor
- D=Amber(1)/Green(2) Bicolor
- M=Green(1)/Yellow(2) Bicolor
- N=Yellow(1)/Green(2) Bicolor
- P=Red(1)/Green(2) Bicolor
- Q=Green(1)/Red(2) Bicolor

Single Color LED:



Bi-Color LED:



Notes:

1. Solderability: Leads shall meet MIL-STD-202G, Method 208H for solderability.
2. Flammability: UL94V-0
3. ASTM oxygen index: > 28%
4. Insulation System: Class F 155°C. UL file E165866
5. Operating Temperature Range: All listed parameters are to be within tolerance from -40°C to +85°C
6. Storage Temperature Range: -55°C to +125°C
7. Aqueous wash compatible
8. Electrical and mechanical specifications 100% tested
9. RoHS Compliant Component
10. 15ulnches of Gold Plating on Terminals

DOC REV: A/3

XFMRs Inc
www.XFMRs.com

UNLESS OTHERWISE SPECIFIED
TOLERANCES:
.xxx ±0.010
Dimensions in Inch
SHEET 1 OF 2

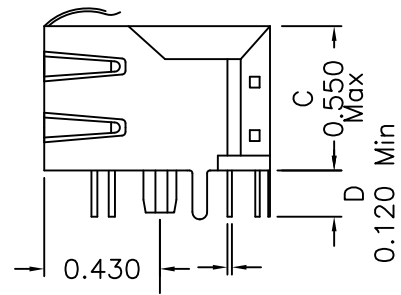
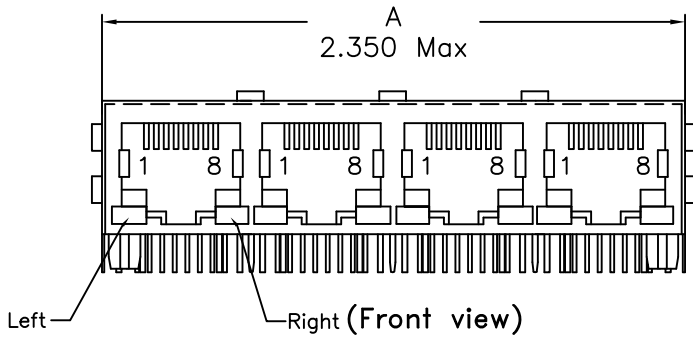
Title:
FOUR PORT COMBO w/ LED's

P/N: XFMATM2R-CLXu4-4MS		REV. A
DWN.	Yuan	Oct-24-12
CHK.	YK Liao	Oct-24-12
APP.	BSJ	Oct-24-12

PROPRIETARY:

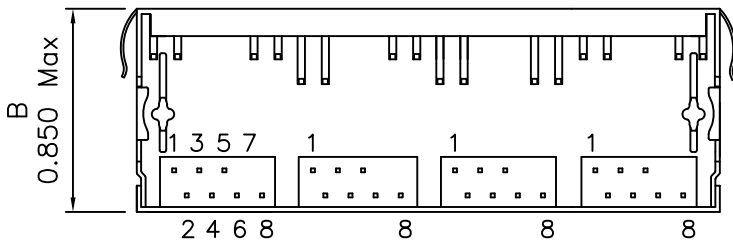
Document is the property of XFMRs Group & is not allowed to be duplicated without authorization.

Mechanical Dimensions: (FOR CLxu4-4MS)

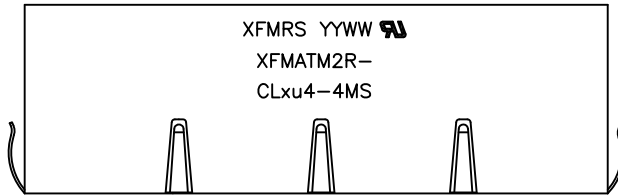


SQ 0.015±0.005

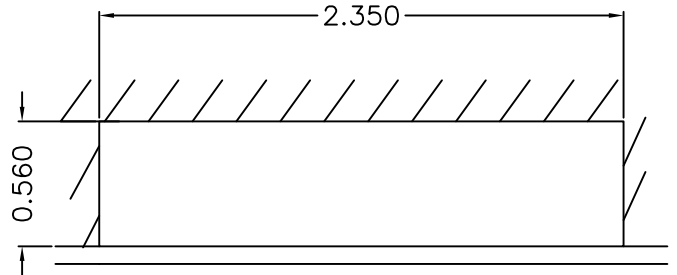
(Side view)



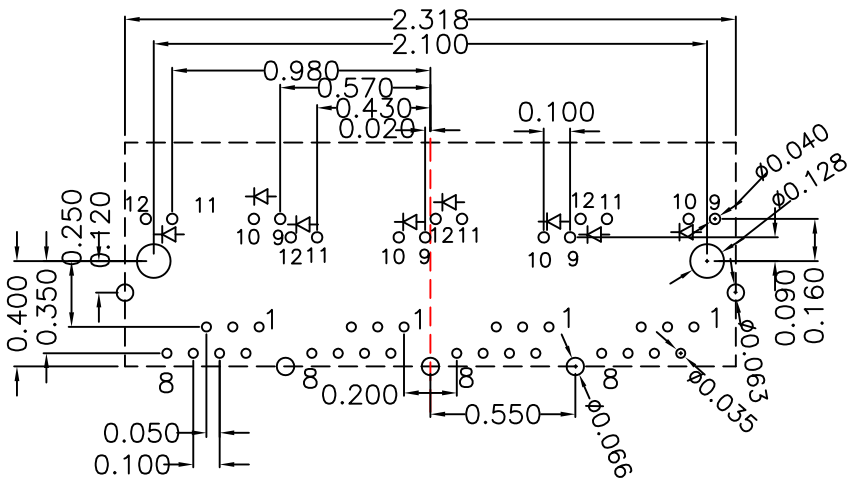
(Bottom view)



(Top view)



RECOMMENDED PANEL CUTOUT



SUGGESTED MOUNTING PATTERN

Pin 7 is removed.

DOC. REV: A/3

PROPRIETARY:

Document is the property of XFMRS Group & is not allowed to be duplicated without authorization.

XFMRS Inc.
www.XFMRS.com

Title: **FOUR PORT COMBO w/ LED's**

UNLESS OTHERWISE SPECIFIED

P/N: XFMATM2R-CLxu4-4MS

REV. A

TOLERANCES:
.xxx ±0.010

DWN.

Yuan

Oct-24-12

Dimensions in Inch

CHK.

YK Liao

Oct-24-12

SHEET 2 OF 2

APP.

BSJ

Oct-24-12