

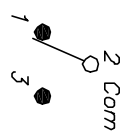
BLACK BEZEL

RECOMMENDED PANEL MOUNTING

PANEL THICKNESS

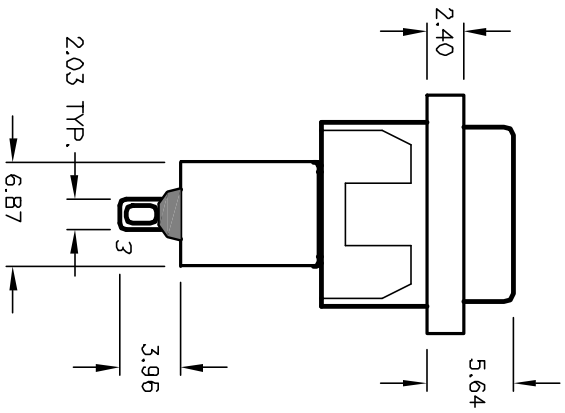
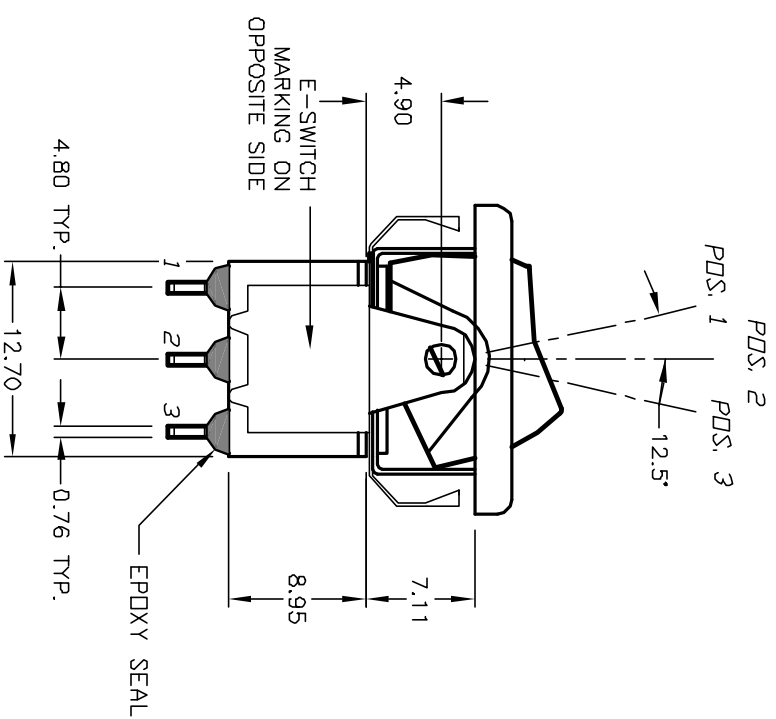
1.52 TO 3.18

* DIMENSION IS 15.75/15.88 FOR PANEL THICKNESS BETWEEN 1.52mm TD 3.18mm



CIRCUIT: SPDT

SWITCH FUNCTION			
POS. 1	POS. 2	POS. 3	
DN	NONE	DN	
2-3	DPEN	2-1	



NOTES:

1. ALL DIMENSIONS IN MM
2. GENERAL TOLERANCE: X.XX=±0.4
3. TERM. NOS. FOR REF. ONLY
4. RATING: 5A @120VAC OR 2BVDC 2A @250VAC
5. MATERIAL: FIXED TERMINAL & MOVING CONTACT
Copper Alloy w/Silver Plate
6. CONTACT RESISTANCE: 10mILLI Ohms max initial @2-4VDC, 100mA for AG & AU
7. ELECTRICAL LIFE: 50,000 make-and-break cycles at full load.
8. INSULATION RESISTANCE: 1,000M ohm min.
9. DIELECTRIC STRENGTH: 1000V RMS @sea level
10. OPERATING TEMP.: -30°C to 85°C

E-SWITCH®

REV.	ECN No.	REVISION AND REDRAWN	DATE	CHKD	SCALE	DATE	DR	DWG	REV
B	12202	REVISED AND REDRAWN	5/31/02	CB	2:1	5/31/02	CB	T311015	B
DESCRIPTION					TITLE				
					300 SP-1 R6 BLK M1 Q E BLK				
THE INFORMATION CONTAINED IN THIS DOCUMENT IS PROPRIETARY TO E-SWITCH AND IS NOT TO BE COPIED OR TRANSFERRED									