



MHV Tee Adapter Female-Male-Female

TECHNICAL DATA SHEET

PE9211

**MHV Tee Adapter Female-Male-Female**

**Configuration**

Connector 1	MHV Female
Impedance 1	50 Ohms
Connector 2	MHV Male
Impedance 2	50 Ohms
Connector 3	MHV Female
Adapter Design	Standard
Body Style	Tee

**Mechanical Specifications**

**Size**

Length, in [mm]	1.282 [32.56]
Width/Dia., in [mm]	0.57 [14.48]
Height, in [mm]	1.082 [27.48]

**Connector 1**

Type	MHV Female
Inner Conductor Material and Plating	Silver
Body Material and Plating	Brass, Nickel
Dielectric Type	PTFE

**Connector 2**

Type	MHV Male
Inner Conductor Material and Plating	Silver
Coupling Nut Material and Plating	Brass, Nickel
Body Material and Plating	Brass, Nickel
Dielectric Type	PTFE

**Connector 3**

Type	MHV Female
Inner Conductor Material and Plating	Silver
Body Material and Plating	Brass, Nickel
Dielectric Type	PTFE

**Compliance Certifications** (visit [www.Pasternack.com](http://www.Pasternack.com) for current document)

RoHS Compliant	Yes
----------------	-----

**Plotted and Other Data**

Notes:	Values at 25 °C, sea level
--------	----------------------------

Click the following link (or enter part number in "SEARCH" on website) to obtain additional part information including price, inventory and certifications: [MHV Tee Adapter Female-Male-Female PE9211](#)

The information contained in this document is accurate to the best of our knowledge and representative of the part described herein. It may be necessary to make modifications to the part and/or the documentation of the part, in order to implement improvements. Pasternack reserves the right to make such changes as required. Unless otherwise stated, all specifications are nominal.



MHV Tee Adapter Female-Male-Female



TECHNICAL DATA SHEET

PE9211

MHV Tee Adapter Female-Male-Female from Pasternack Enterprises has same day shipment for domestic and International orders. Our RF, microwave and fiber optic products maintain a 99% availability and are part of the broadest selection in the industry.

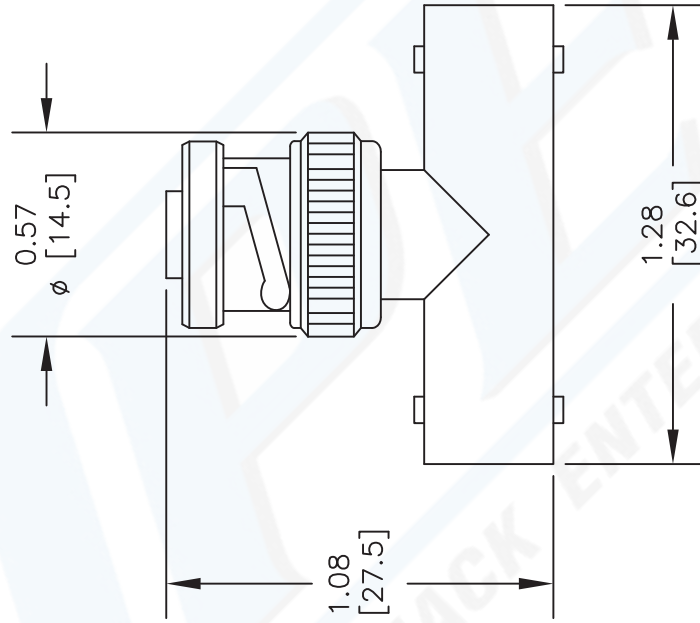
Click the following link (or enter part number in "SEARCH" on website) to obtain additional part information including price, inventory and certifications: [MHV Tee Adapter Female-Male-Female PE9211](#)

URL: <http://www.pasternack.com/mhv-female-male-female-tee-adapter-pe9211-p.aspx>

The information contained in this document is accurate to the best of our knowledge and representative of the part described herein. It may be necessary to make modifications to the part and/or the documentation of the part, in order to implement improvements. Pasternack reserves the right to make such changes as required. Unless otherwise stated, all specifications are nominal.

# PE9211 CAD Drawing

## MHV Tee Adapter Female-Male-Female



DWG TITLE

**PE9211**

NOTES:  
 1. UNLESS OTHERWISE SPECIFIED ALL DIMENSIONS ARE NOMINAL.  
 2. ALL SPECIFICATIONS ARE SUBJECT TO CHANGE WITHOUT NOTICE AT ANY TIME.  
 3. DIMENSIONS ARE IN INCHES [mm].

REV. -

FSCM NO. 53919

CAD FILE 082902

SCALE N/A

SIZE A

127

**PE PASTERNAK®**  
 Pasternack Enterprises, Inc.  
 P.O. Box 16759 | Irvine | CA | 92623  
**Phone:** (949) 261-1920 | **Fax:** (949) 261-7451  
**Website:** [www.pasternack.com](http://www.pasternack.com) | **E-Mail:** [sales@pasternack.com](mailto:sales@pasternack.com)