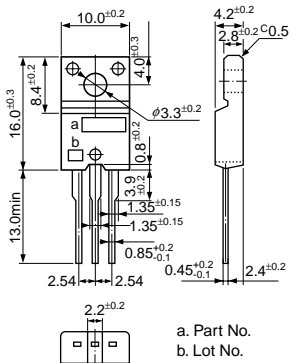


Part No.	V <sub>DSS</sub> (V)	R <sub>DS(ON)</sub> (max) (Ω)	I <sub>D</sub> (A)	Package	Remarks	Fig. No.		
FKV460	40	9mΩ	60	TO-220F	Under development, For Automotive	1		
FKV460S			60	TO-220S	For Automotive	2		
FKV560	50	11mΩ	60	TO-220F	Under development, For Automotive	1		
FKV560S			60	TO-220S	Under development, For Automotive	2		
FKV550T	60	13mΩ	50	TO-220F		1		
2SK1188		0.2	10	TO-220F				
2SK1189		0.1	15	TO-220F				
2SK1712			15	TO-220F	Logic Drive			
2SK1190		50mΩ	22	TO-220F				
2SK2419		37mΩ	25	TO-220F				
2SK1191		28mΩ	30	TO-220F				
2SK2420			30	TO-220F				
2SK1192		40	TO-3PF		3			
2SK2421		20mΩ	40	TO-220F				
FKV660		14mΩ	50	TO-220F	Under development, For Automotive		1	
FKV660S			60	TO-220S	For Automotive		2	
2SK1185		100	0.54	5	TO-220F			1
2SK1186			0.27	9	TO-220F			
2SK1187	0.16		12	TO-220F				
2SK2778	0.175		12	TO-220F	Under development, Logic Drive			
2SK2779	80mΩ		20	TO-220F	Logic Drive			
2SK3332	150	0.2	12	TO-220F	Logic Drive	1		
2SK3460		95mΩ	18	TO-220F				
2SK1183	200	1.5	3	TO-220F		1		
2SK1184		0.8	5	TO-220F				
2SK3002		0.35	8	TO-220F	Under development			
2SK3003		0.175	18	TO-220F				
2SK3004	250	0.25	18	TO-220F		1		
2SK2803	450	2.8	3	TO-220F				
2SK2701		1.1	7	TO-220F				
2SK2702		0.8	10	TO-220F	Under development			
2SK2703			10	TO-3PF	Under development			
2SK2704		0.57	13	TO-220F				
2SK2705			13	TO-3PF	Under development			
2SK2805		0.38	15	TO-3PF	Under development			
2SK2706		0.3	18	TO-3PF	Under development			
2SK1177		500	3	2.5	TO-220F		UL approved type available	1
2SK1178			1.5	4	TO-220F	UL approved type available		
2SK3199	5			TO-220F				
2SK1179	0.85		8.5	TO-3PF	UL approved type available			
2SK1180	0.6		10	TO-3PF	UL approved type available			
2SK3200	1.1		10	TO-220F				
2SK1181	0.4		13	TO-3PF	UL approved type available			
2SK2848	600	3.8	2	TO-220F		1		
2SK2707		1.85	4.5	TO-220F	Under development			
2SK2708		1.1	7	TO-220F				
2SK2709		0.85	8.5	TO-3PF	Under development			
2SK2710		0.55	12	TO-3PF	Under development			
2SK2943	900	5	3	TO-220F		3		
2SK2945		3	5	TO-220F				
2SJ424	-60	0.5	5	TO-220F	Under development	1		
2SJ425		0.28	8	TO-220F				

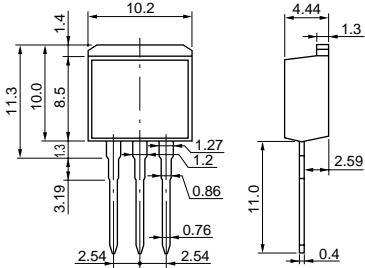
External Dimensions

• No. 1 (TO-220F)

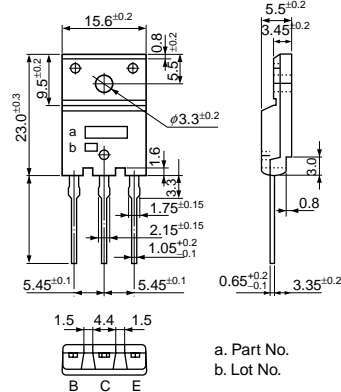


a. Part No.  
b. Lot No.

• No. 2 (TO-220S)



• No. 3 (TO-3PF)



a. Part No.  
b. Lot No.

(unit: mm)