

### LEA-18V Series, 18Watt

#### FEATURES:

- ✓ Constant voltage output
- ✓ Input voltage: 90-132VAC
- ✓ Short circuit, over voltage, and over temperature protections
- ✓ IP67 rated
- ✓ Cooling by free air convection
- ✓ Class II, no FG
- ✓ Pass LPS (Limited Power Source) Test
- ✓ Application for LED lighting and electronic screen
- ✓ 100% burn-in test
- ✓ High reliability
- ✓ 2 years warranty



Model	Input voltage (Vac)	Output voltage (Vdc)	Output current (mA)		Output power (W)
			Min.	Max.	
LEA18-V12	90-132	12	0	1500	18
LEA18-V24		24	0	750	18
LEA18-V36		36	0	500	18

#### ELECTRICAL

##### Input

Parameters	Symbols	Test Conditions / Comment	Min.	Typ.	Max.	Units
Input voltage	$V_{in}$	---	90	--	132	Vac
Input frequency	$F_{line}$	---	47	--	63	Hz
Input current	$I_{in}$	Full load, $V_{in} = 115Vac$	--	0.5	--	A
Inrush current	$I_{inrush}$	Cold start, $V_{in} = 115Vac$	--	40	--	A
Efficiency	$\eta$	Full load	--	82	--	%
Leakage current	$I_{leakage}$	$V_{in} = 115Vac$	--	0.25	--	mA

**LEA-18V Series, 18Watt**
**ELECTRICAL**
**Output**

Parameters	Symbols	Test Conditions / Comment	Min.	Typ.	Max.	Units
Output current	$I_{out}$	LEA18-V12	0	--	1500	mA
		LEA18-V24	0	--	750	mA
		LEA18-V36	0	--	500	mA
Output voltage	$V_{out}$	LEA18-V12	--	12	--	V
		LEA18-V24	--	24	--	V
		LEA18-V36	--	36	--	V
Output voltage accuracy	--	---	--	±3	--	%
Line regulation	$I_{out-line}$	---	--	±1.0	--	%
Load regulation	$I_{out-load}$	---	--	±2.0	--	%
Turn-on delay time	$T_{on\_delay}$	$V_{in} = 115Vac$ , full load	--	1500	--	ms
Rise time	$T_{on\_rise}$	$V_{in} = 115Vac$ , full load	--	30	--	ms
Hold-on time	--	$V_{in} = 115Vac$ , full load	--	20	--	ms
Ripple	--	---	--	--	200	mVp-p

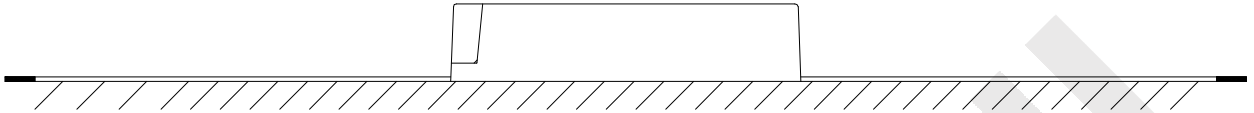
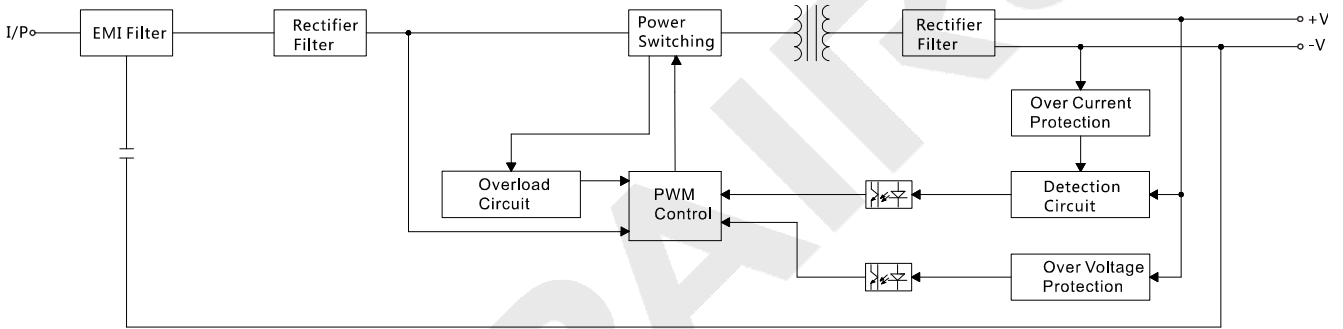
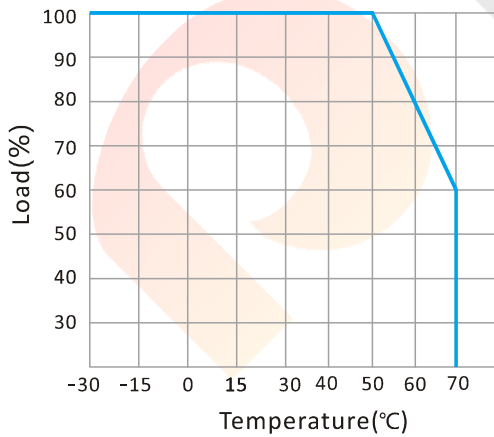
**Protection**

Over current	Typical:>105%.Hiccup mode, it will auto-recovery after fault conditions remove					
Over voltage	Typical:110-150%; Protection: turn off output voltage, Diode clamp type					
Over temperature	Hiccup mode, it will auto-recovery after temperature become normal					

**Environment**

Storage	$T_{storage}$	Humidity: 5% RH to 95% RH	-40	--	+80	°C
Ambient operating temperature	$T_a$	Startup at rated voltage (Please refer to derating curve)	-30	--	+70	°C
Temperature coefficient	--	---	--	300	--	ppm



**LEA-18V Series, 18Watt**
**MECHANICAL**
**RECOMMEND INSTALLATION**

**BLOCK DIAGRAM**

**DERATING CURVE**

**STATIC CHARACTERISTIC CURVE**
