

SPECIFICATION

Part No. : **FG.PANEL.02**

Product Name : **2.4 GHz Panel antenna**

Dimensions : 218*200*35mm



1. Specification Table

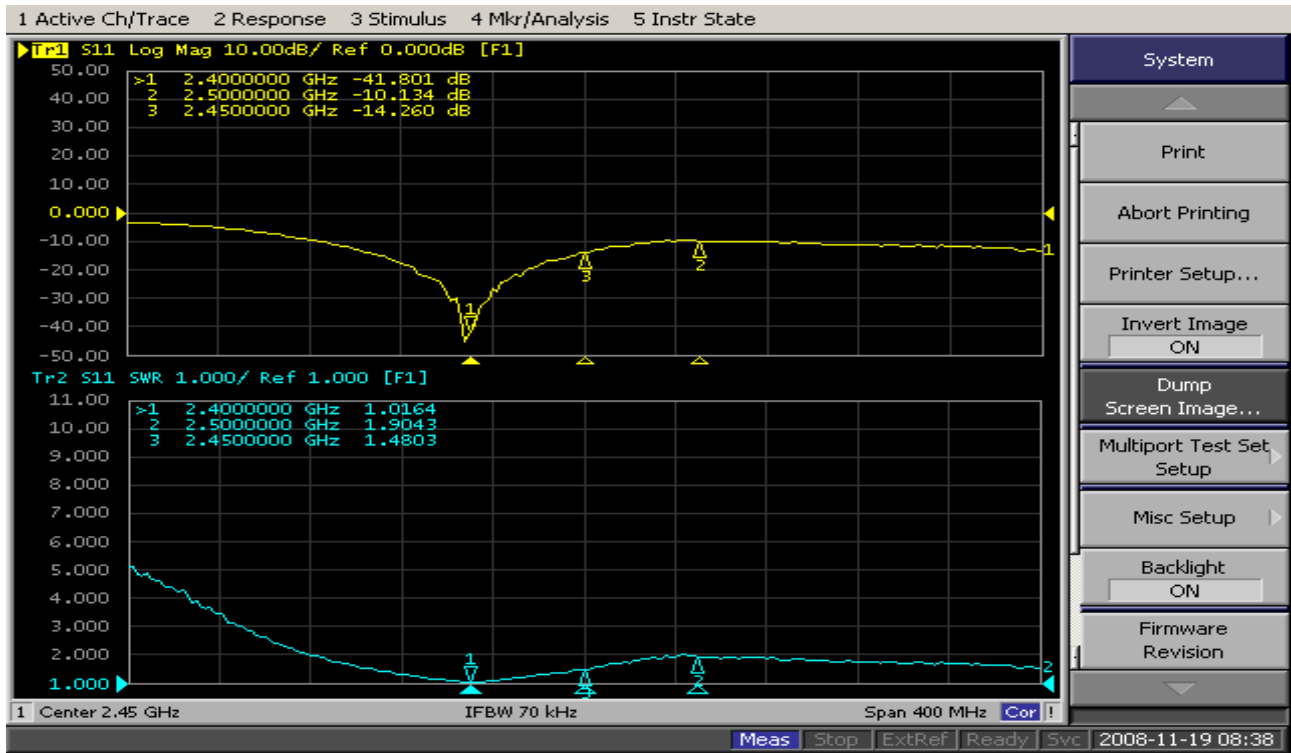
No	Parameter	Specification
1	Communication System	Wireless LAN
2	Frequency Band	2.4 – 2.5 GHz
3	VSWR	< 2.0:1
4	Gain	12 dBi
5	Impedance	50 Ohm
6	Antenna Type	PCB patch Array
7	Polarization	Vertical or Horizontal
8	Input Power	20w
9	Connector	N type Female

1.1 Mechanical Properties

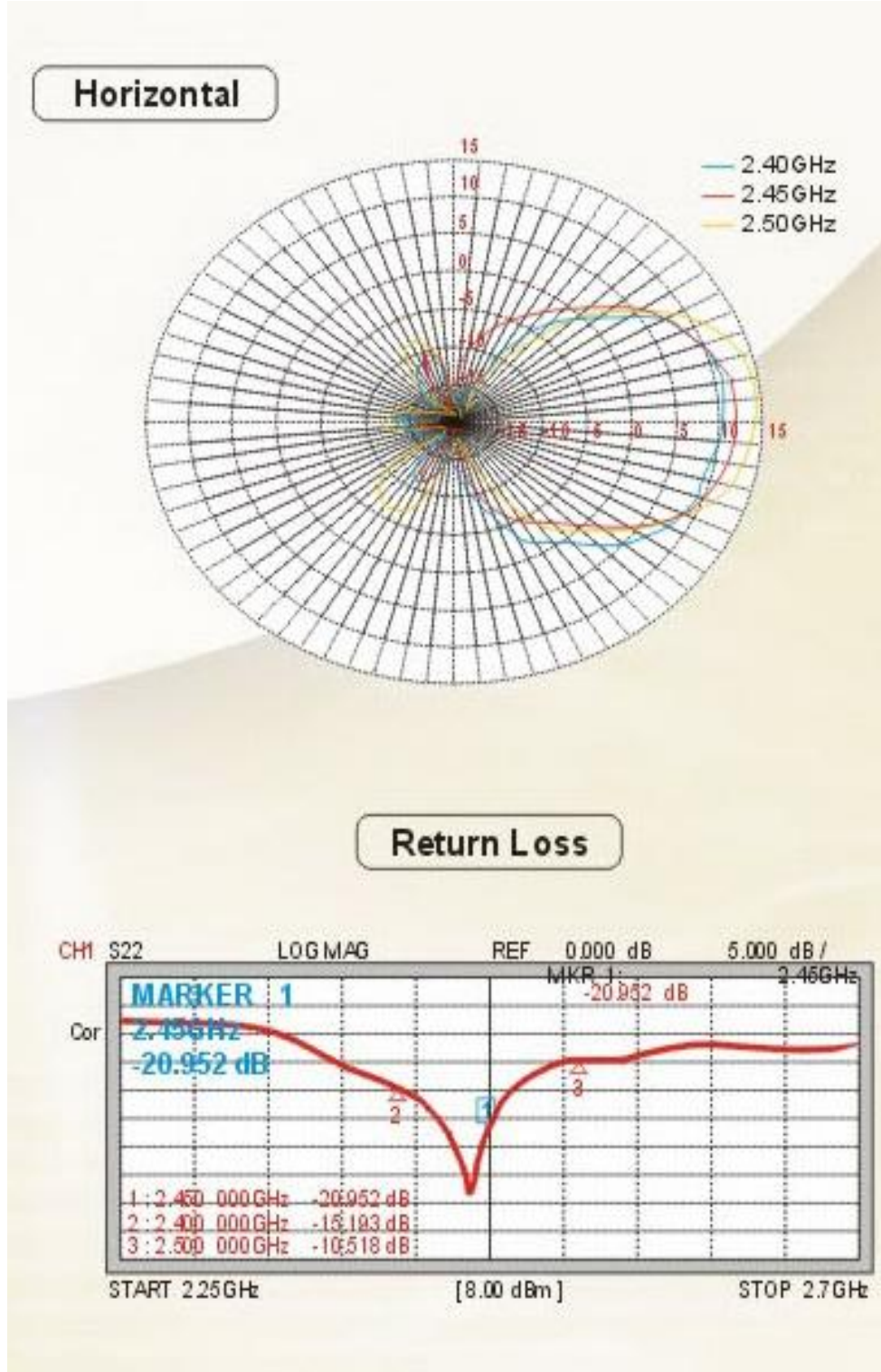
No	Parameter	Specification
1	Length	218*200*35mm
2	Weight	850g
3	Wind Survival	>120mph
4	Radome Material	ABS & UV resistance
5	Operating Temp.	-40 deg C ~ +80 deg C
6	Light Port	DC Grounded

2. Performance

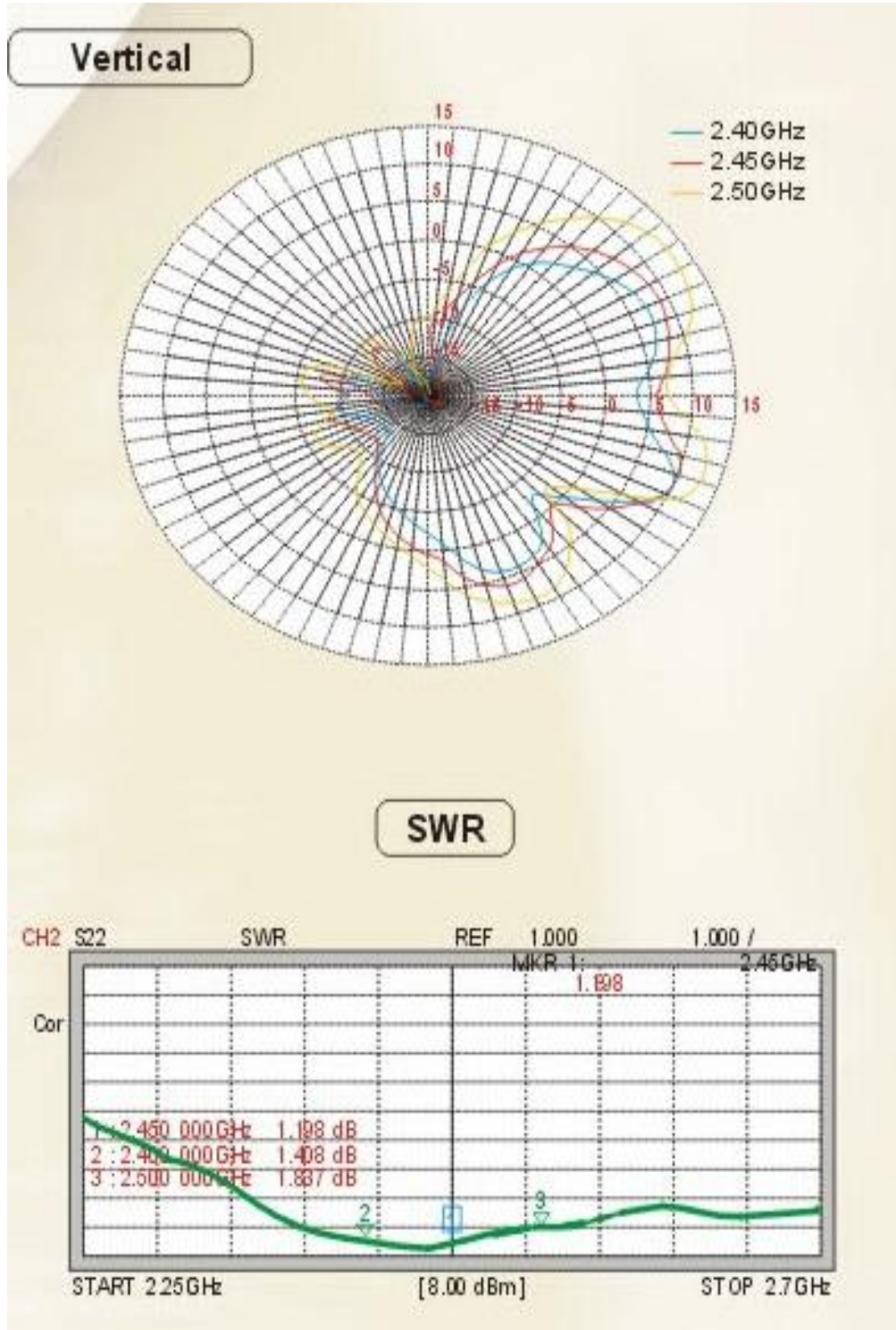
2.1 Return Loss and VSWR



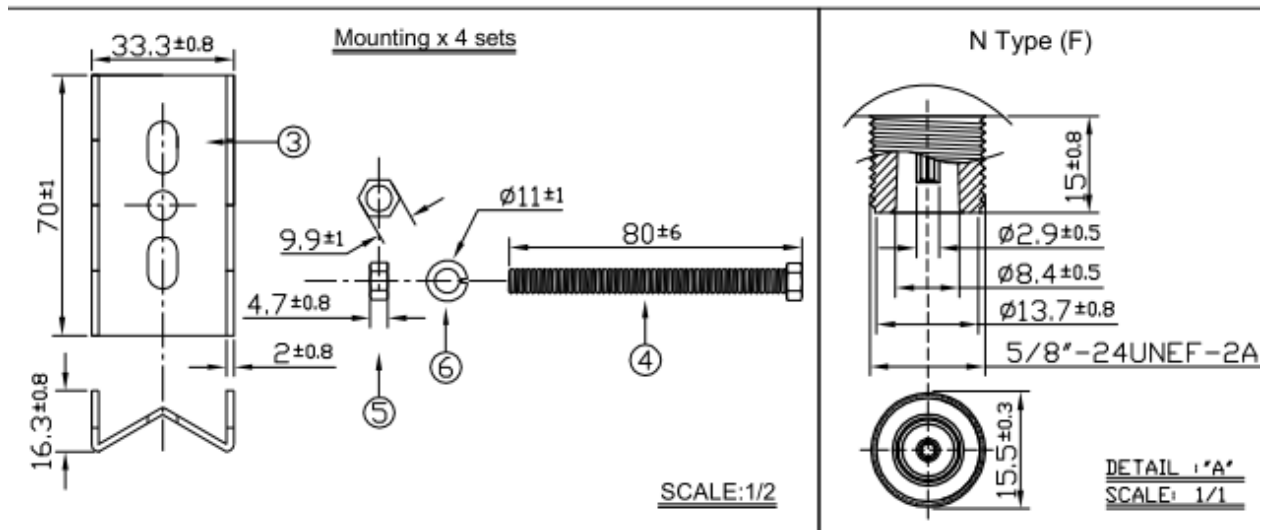
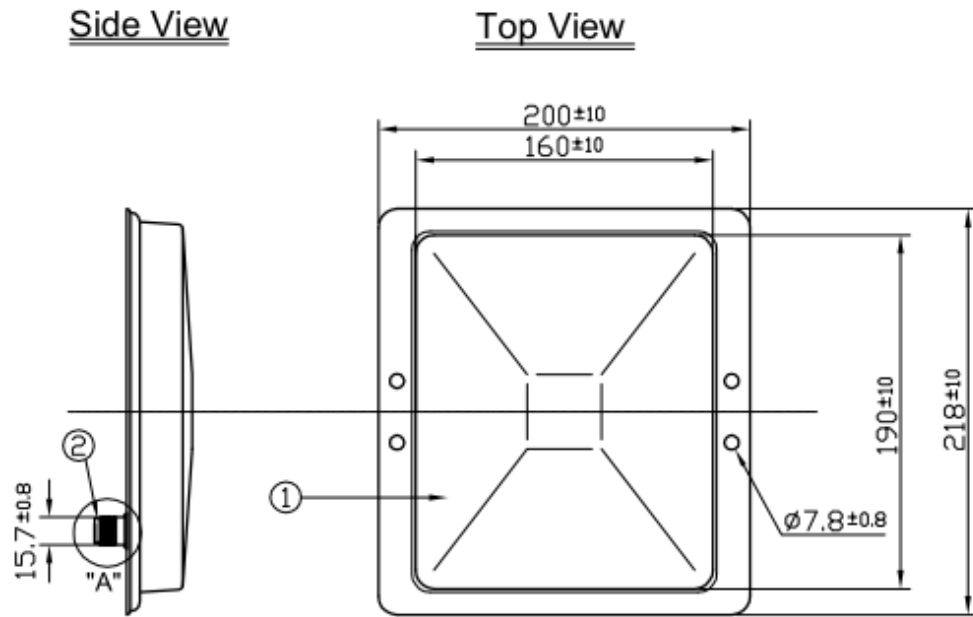
2.2 Radiation Pattern – Horizontal



2.3 Radiation Pattern – Vertical



3. Drawing and Dimensions (unit:mm)



	Name	P/N	Material	Finish	QTY
①	Housing	000412C000023A	ABS	Gray	1
②	Connector	211212C000023A	Iron	Clear	1
③	Mounting	000512C000023A	Steel	Clear	4
④	Screw	000412C000023A	Steel	Clear	4
⑤	Nut	000412C010023A	Iron	Clear	4
⑥	Washer	000412C020023A	Steel	Clear	4