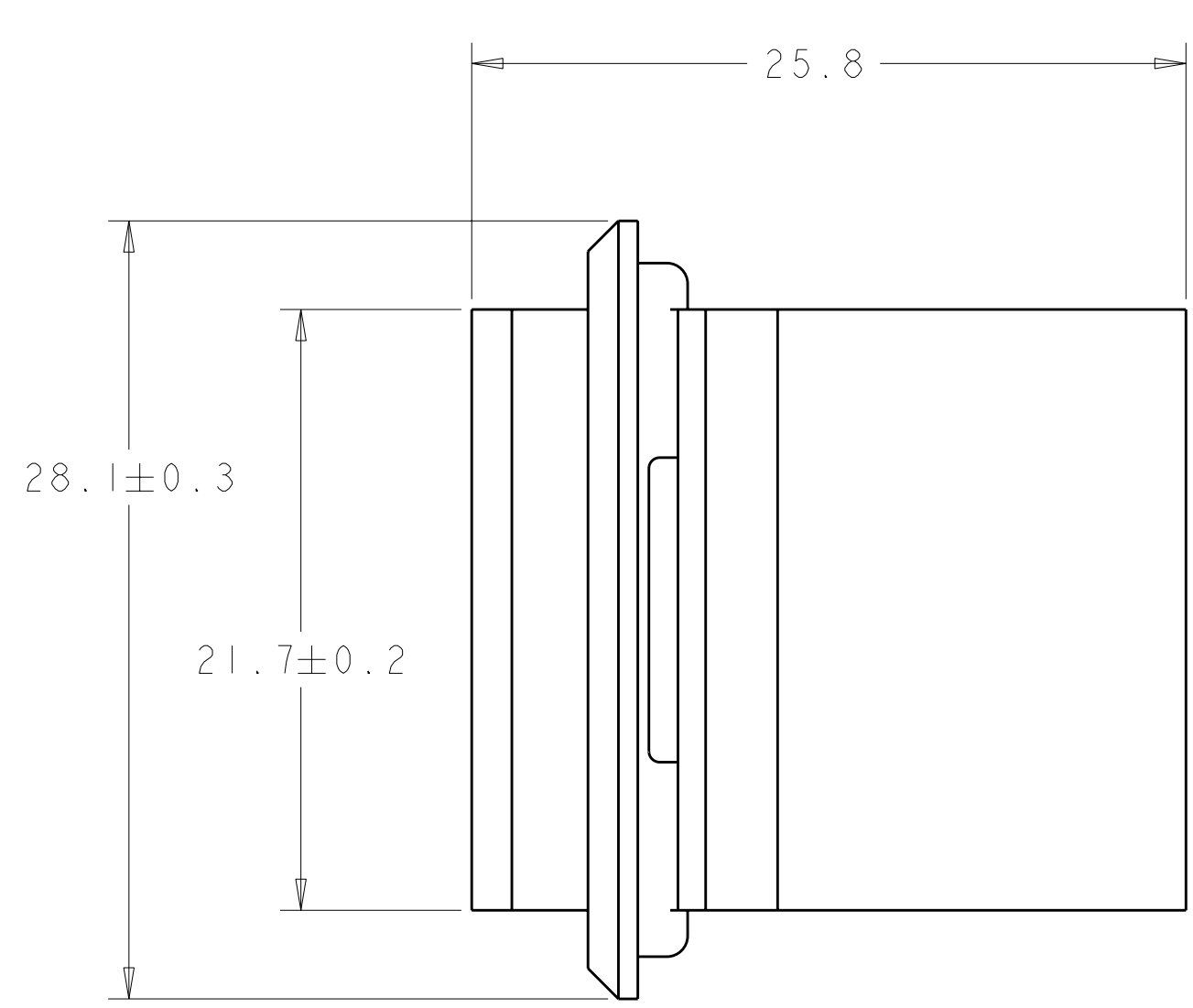
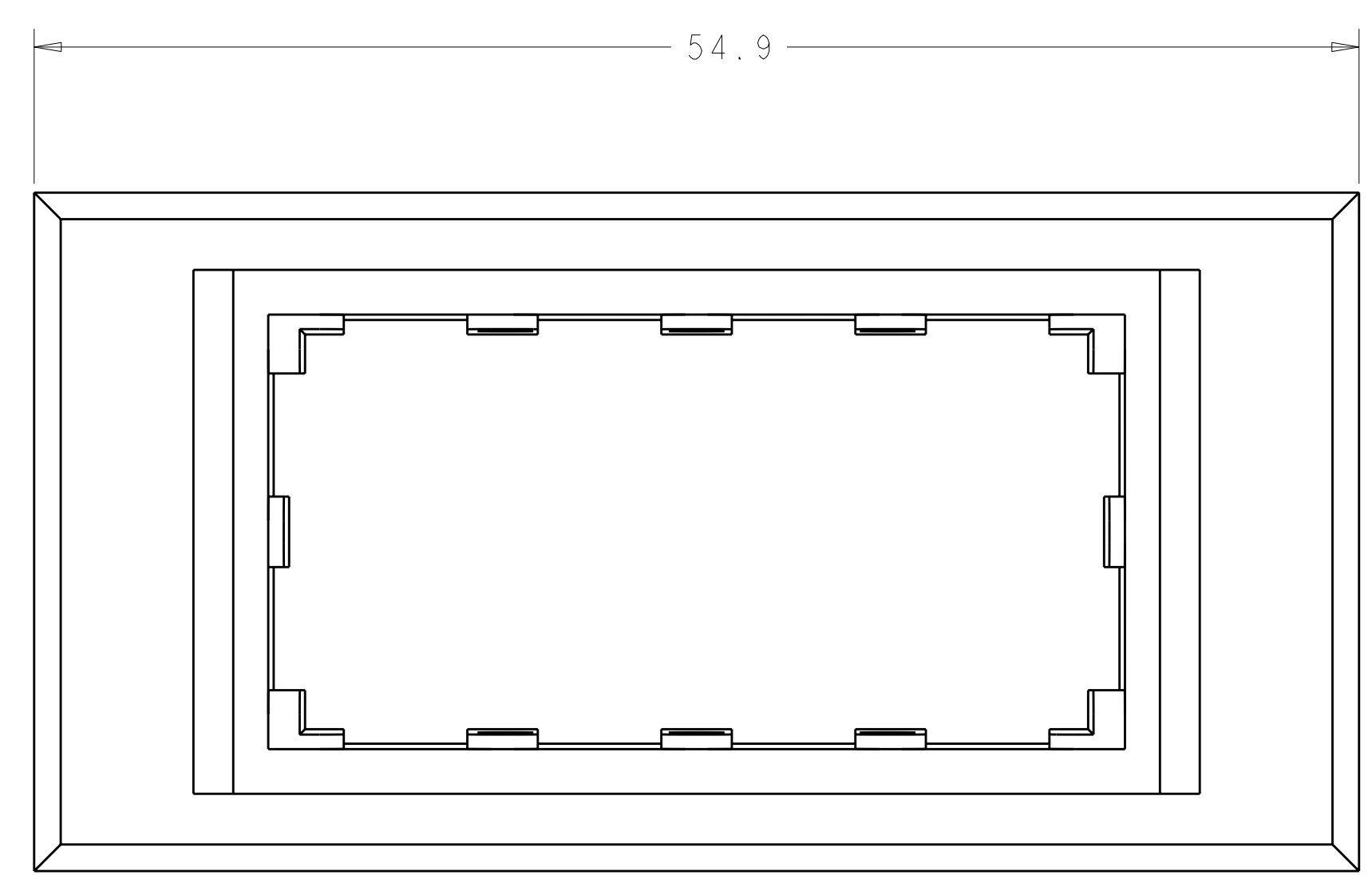
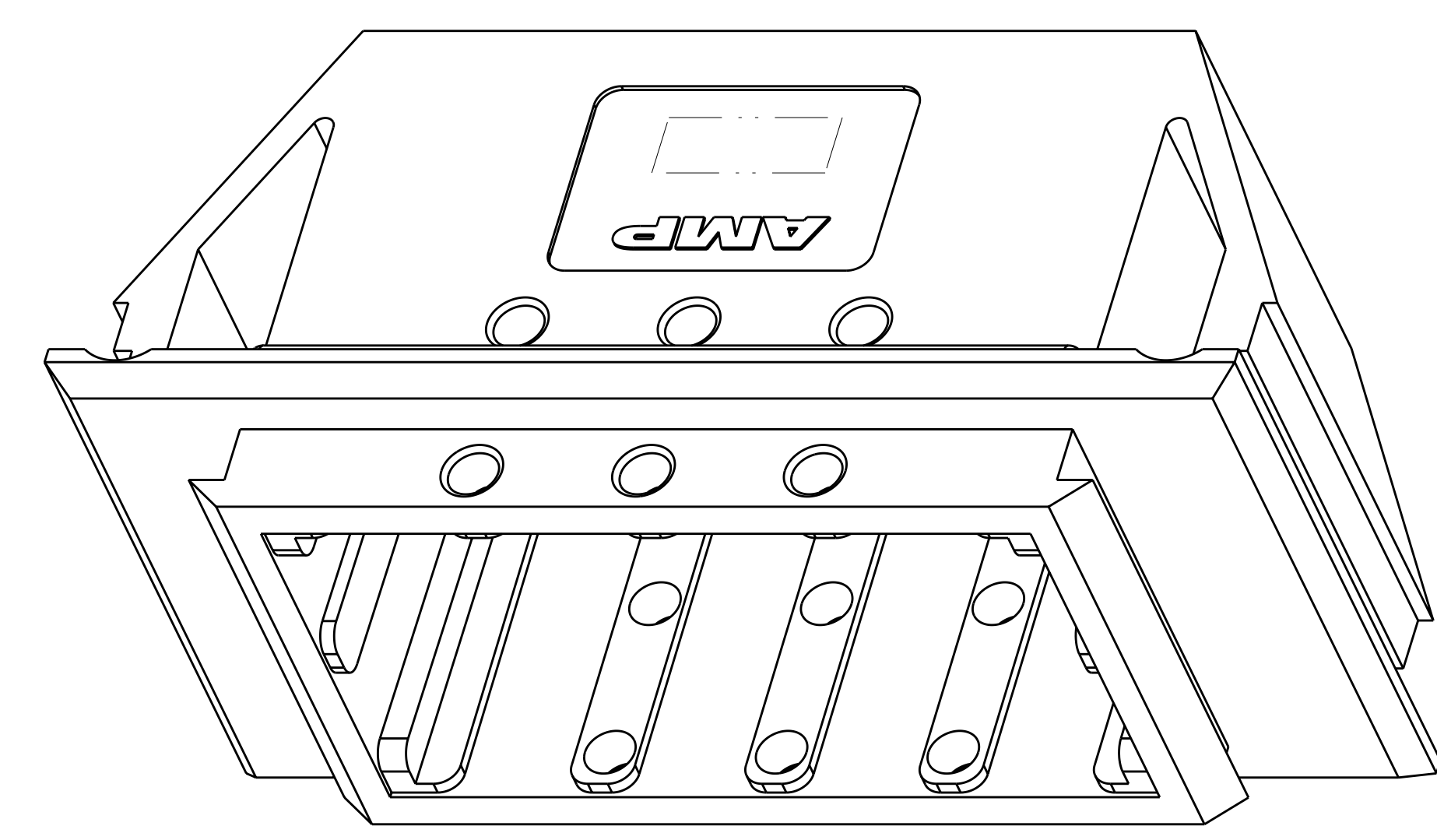
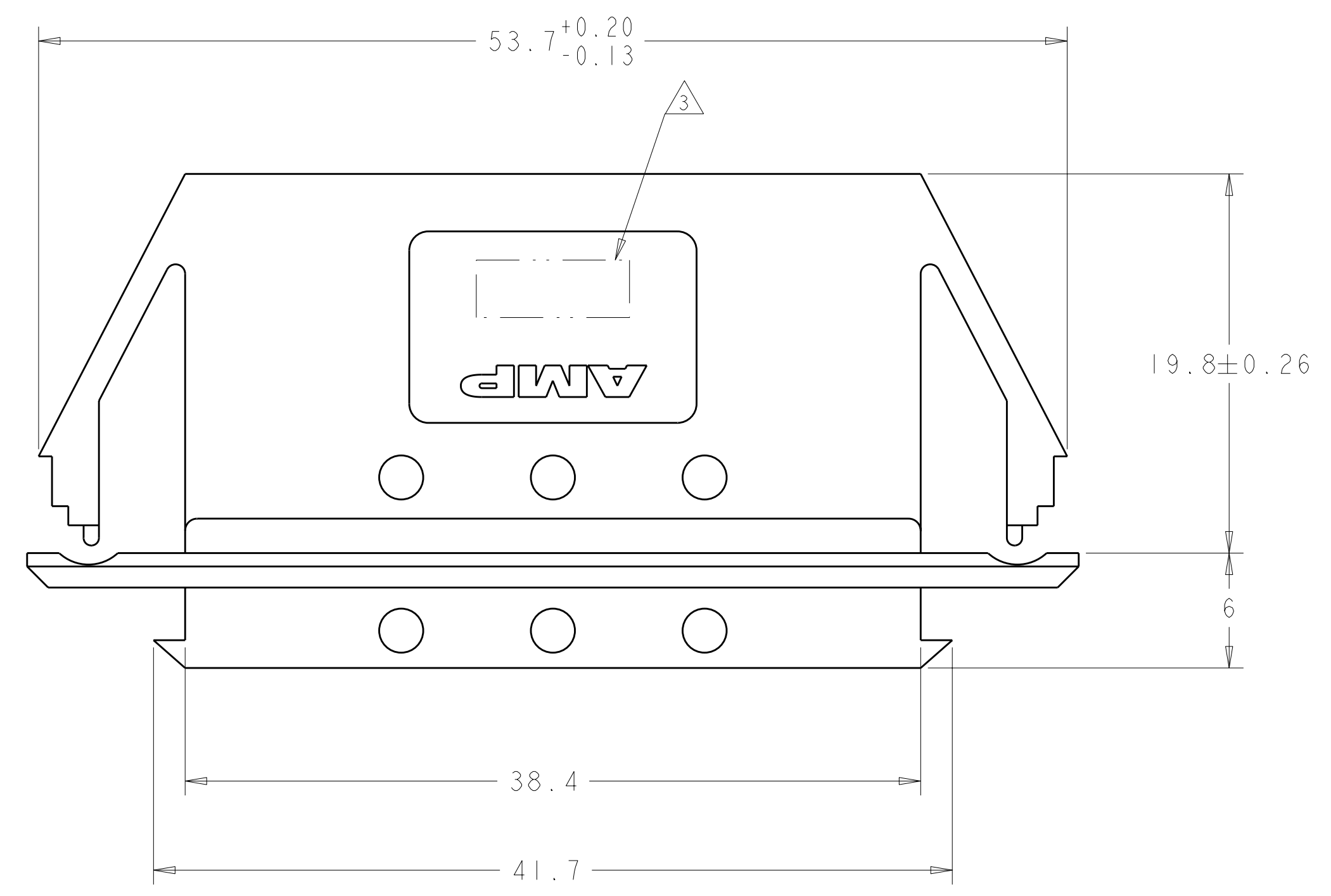


LOC	DIST	REVISIONS			
FT	0	REV	DATE	BY	APPD
		B	03JUN2011	HMR	DY



1. MATERIAL: POLYCARBONATE 94-V0
2. COLOR: BLACK
- ③ TE OR TE CONNECTIVITY LOGO LOCATED APPROX IN THIS AREA.

1604079-1
PART NUMBER

THIS DRAWING IS A CONTROLLED DOCUMENT.		DWN B. HAYMAKER	09JAN2002	STE TE Connectivity	
DIMENSIONS:		CHK K. KETELSLEGER	14MAR02	NAME HOUSING, 2X4 POWER PRODUCT RECEPTACLE	
TOLERANCES UNLESS OTHERWISE SPECIFIED:		APVD K. KETELSLEGER	14MAR02	PRODUCT SPEC	
mm		APPLICATION SPEC		SIZE CAGE CODE DRAWING NO	
9 PLC ±0.13		WEIGHT		A100779C=1604079	
1 PLC ±0.13		CUSTOMER DRAWING		RESTRICTED TO	
2 PLC ±0.13		SCALE 4:1		SHEET 1 OF 1	
3 PLC ±0.13		REV B			
4 PLC ±0.13					
ANGLES ±°					
FINISH ±30°					