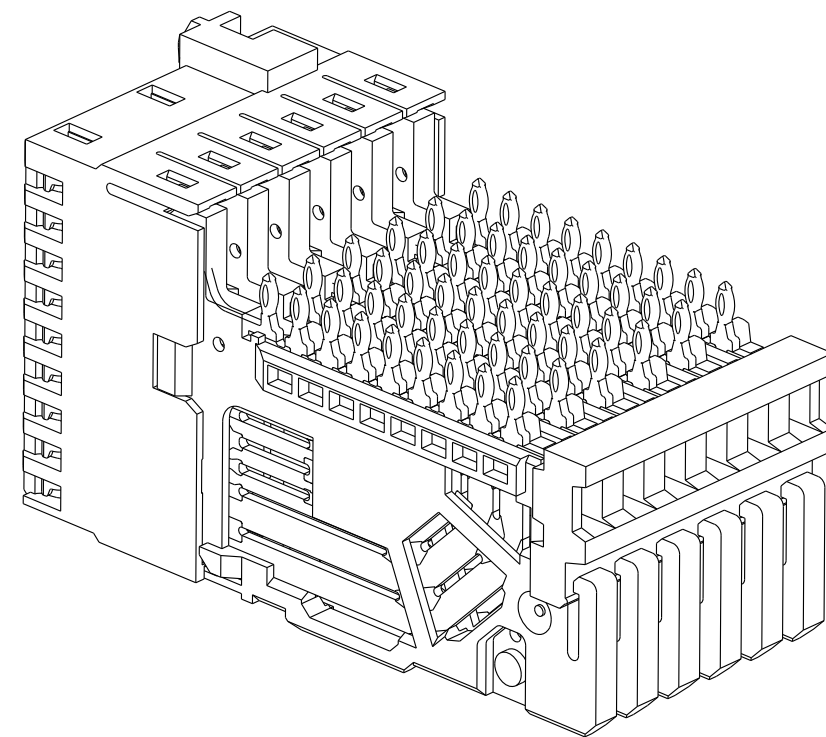
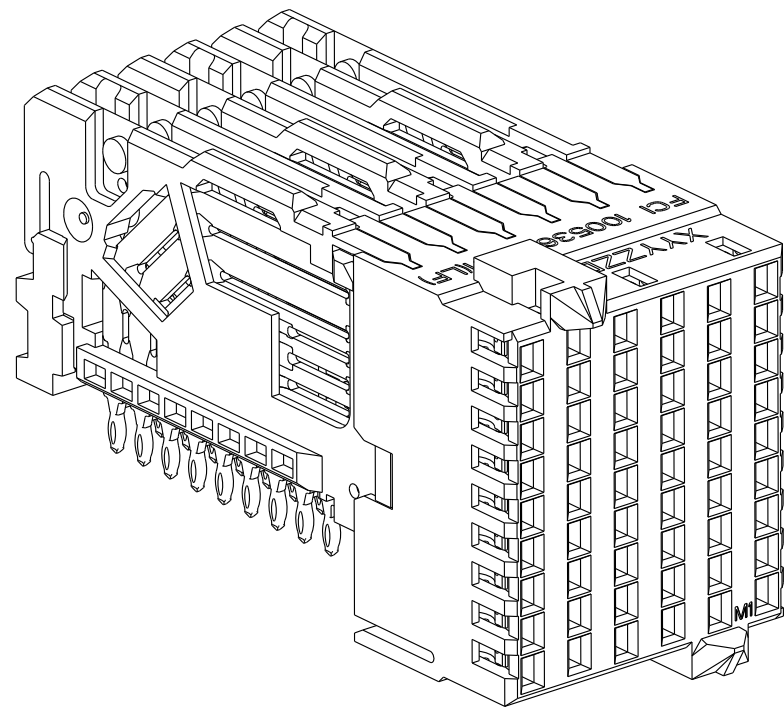
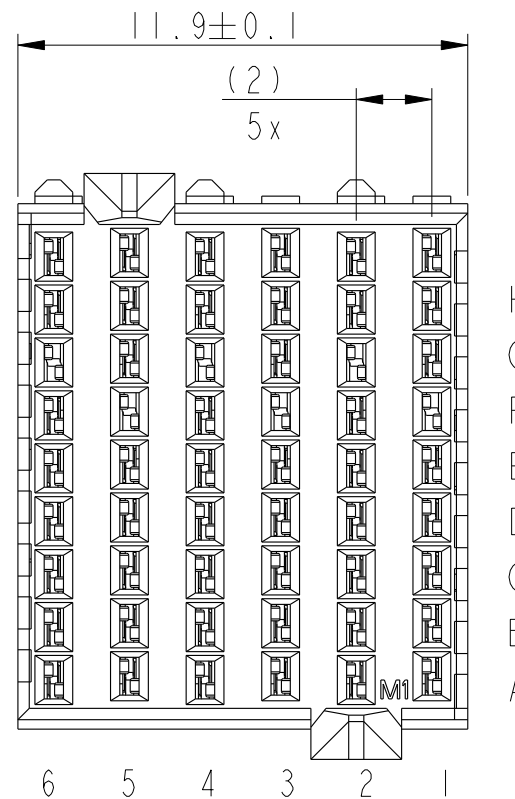
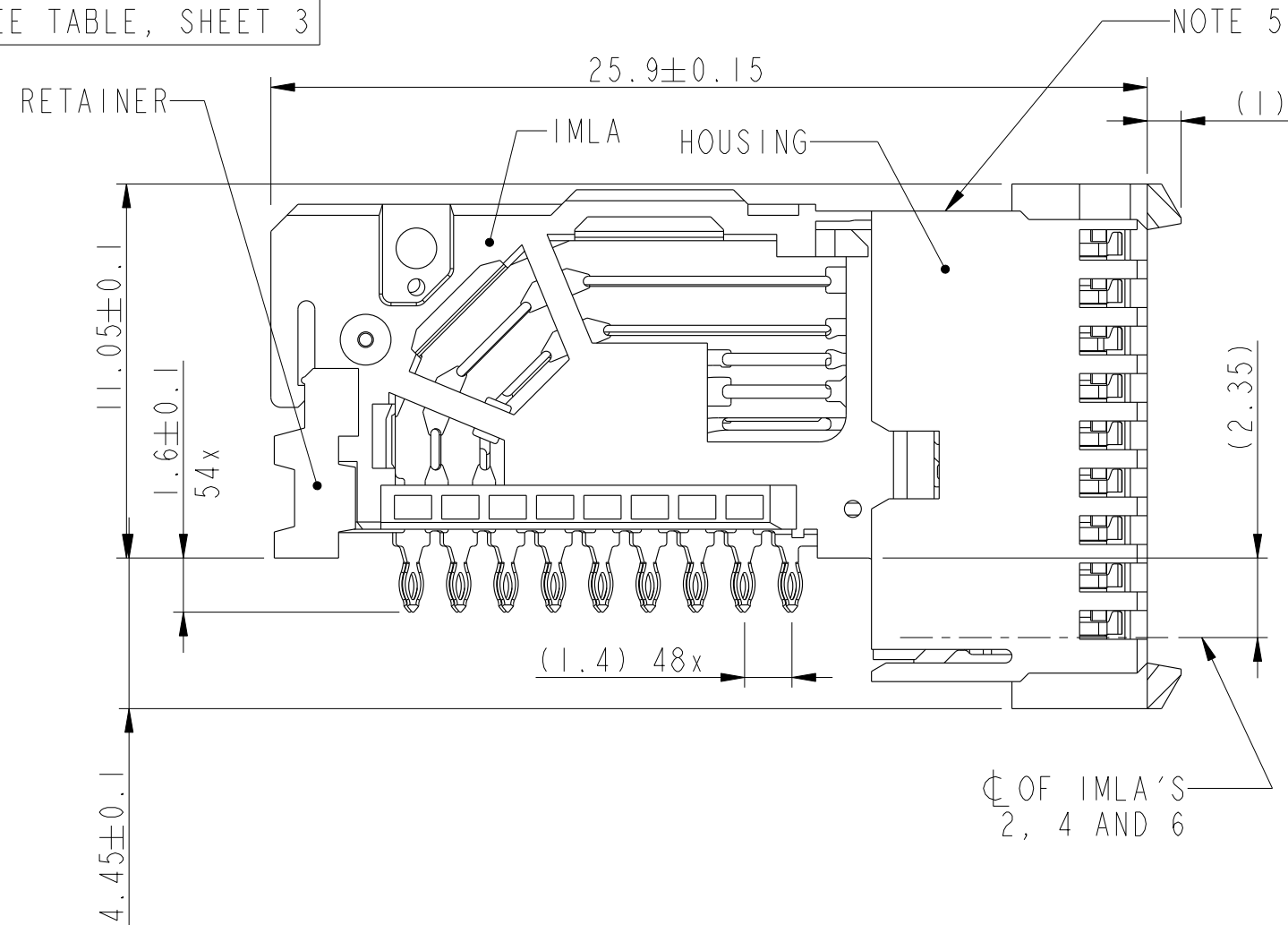


PRODUCT NUMBER  
SEE TABLE, SHEET 3



Copyright FCI.

rev	ecn no	dr	date
A	H05-0207	VWO	2005-09-07
B	H06-0054	VWO	2006-04-07
C	S08-0036	LS	2008-02-11
D	S08-0248	LS	2008-07-29
E	S09-0324	KHL	2009-10-20
F	S09-0404	KHL	2009-12-10
-	-	-	-

www.fciconnect.com		surface - ✓	tolerance std	projection	mm
		TOLERANCES UNLESS OTHERWISE SPECIFIED			← →
Dr	H v Woensel	2005-06-21	ANGULAR	size A3	Scale 5:1
Eng	L.S NGWE	2008-07-29	LINEAR	ECN	S09-0404
Chr	KH LEE	2009-12-10	0° ±°	Spec ref	
Appr	JOEY NG	2009-12-10	Product family AirMax VS(tm)		
FCI		Title AirMax VS(tm) R.A. Recpt Ass'y, 3 pair, 54 pos, 6 IMLA, 2 mm		dwg no 10053656	
-		-		CUSTOMER	sheet 1 of 3

REV F - 2006-04-17

1

2

3

4

A

B

C

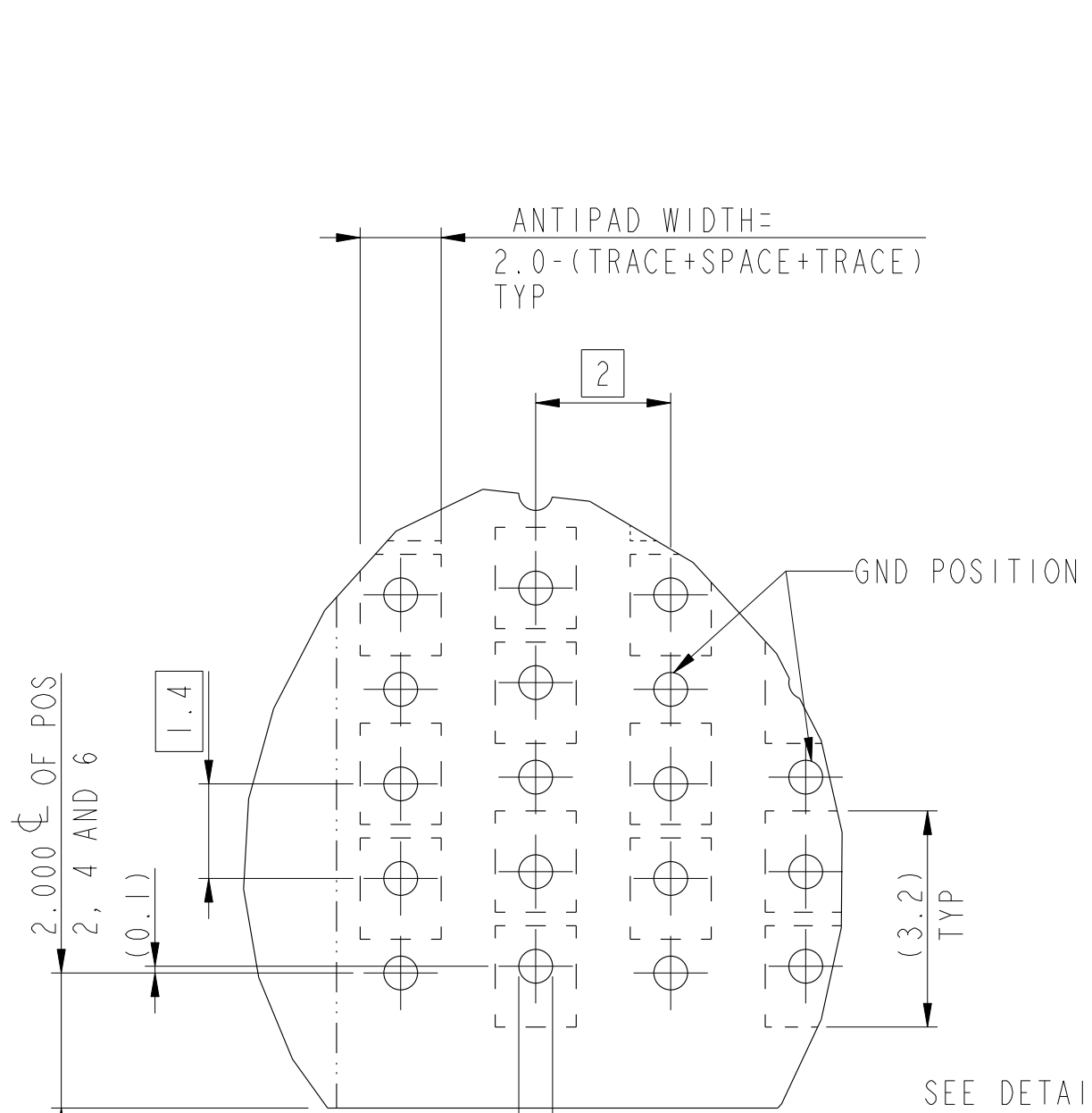
D

A

B

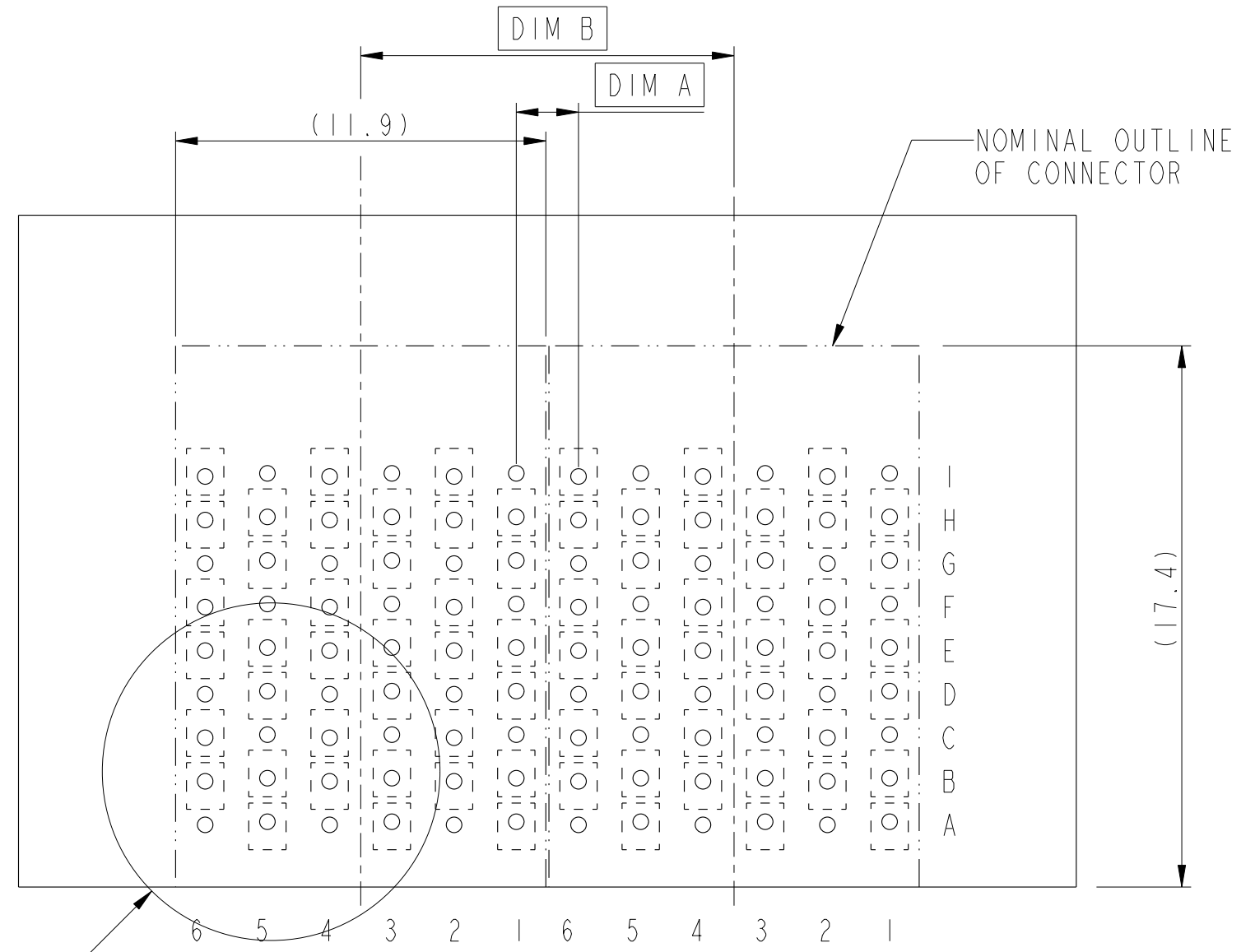
C

D



DETAIL A  
SCALE 10:1

SEE NOTE 7  
0.1  
ALL HOLES



RECOMMENDED PCB LAYOUT  
FOR DIFFERENTIAL APPLICATIONS  
COMPONENT SIDE  
(TWO ADJACENT FOOTPRINTS SHOWN)

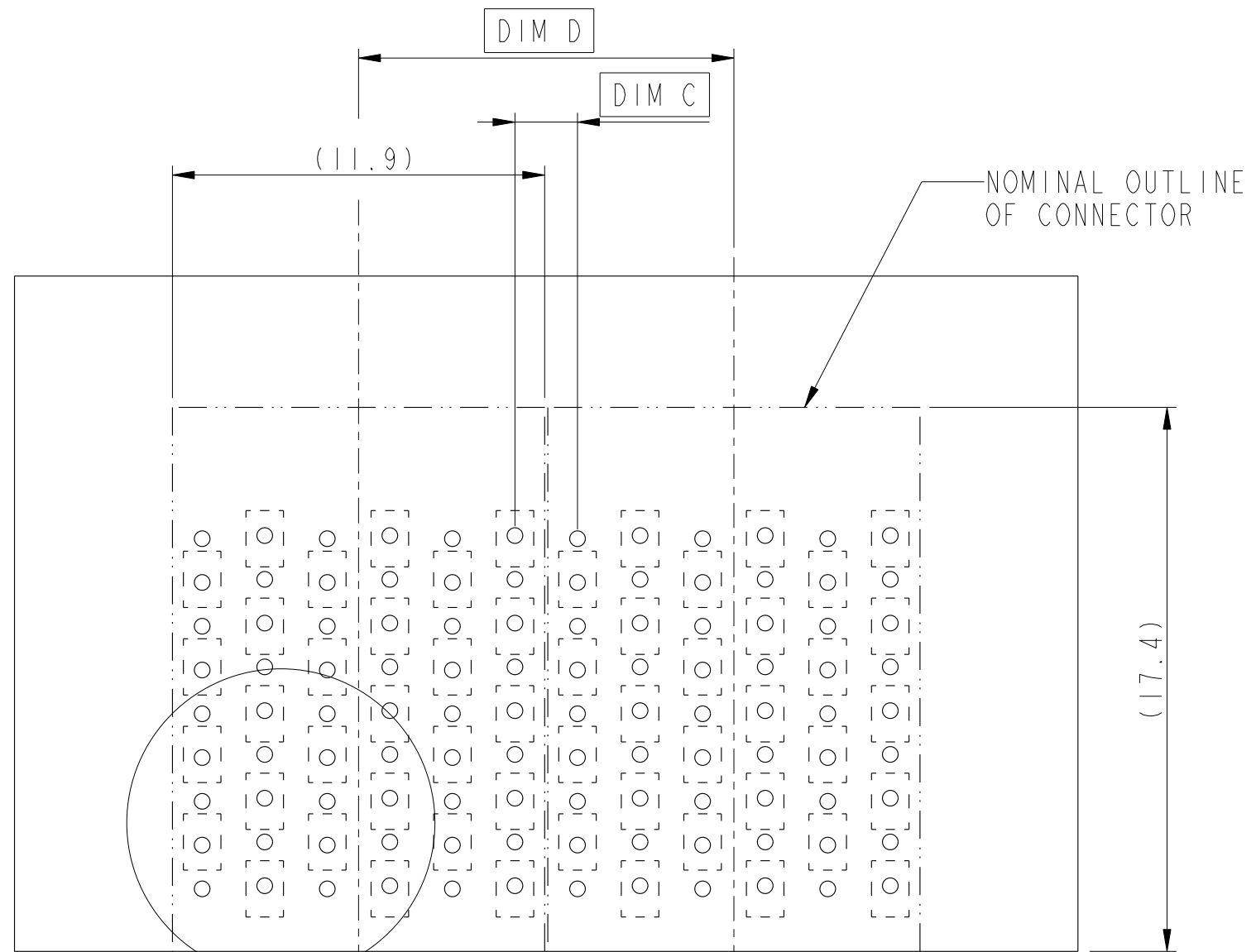
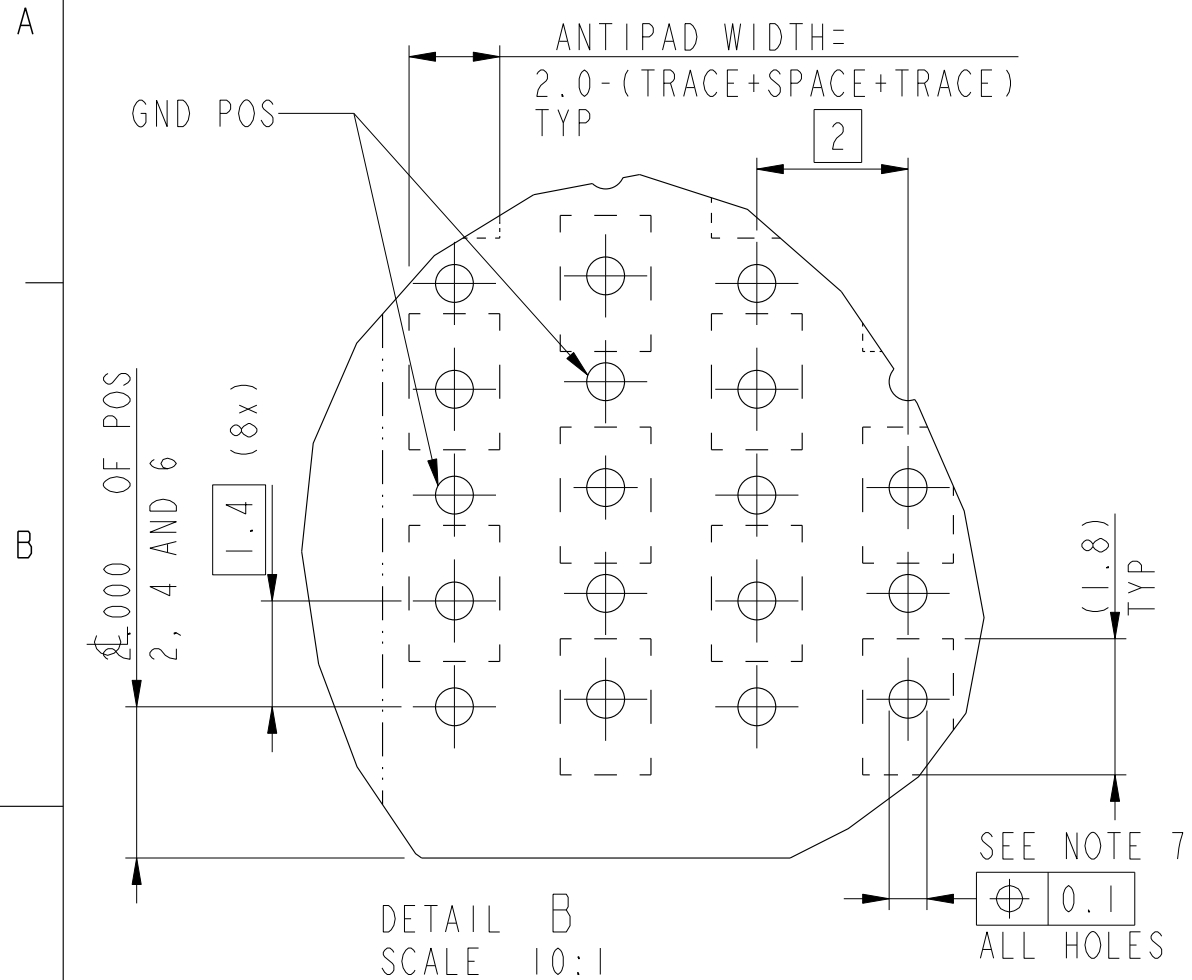
ADJACENT HEADER WIDTH	DIM A	DIM B
12MM/12MM	2MM	12MM
12MM/14MM	3MM	13MM
14MM/14MM	4MM	14MM

	Title AirMax VS(tm) R.A. Recpt Ass'y, 3 pair, 54 pos, 6 IMLA, 2 mm	dwg no 10053656	Rev. F
	catalog no -	CUSTOMER	sheet 2 of 3



Copyright FCI.

PART NUMBER	PRESS FIT TAIL PLATING TYPE
10053656-101	TIN/LEAD ALLOY OVER NICKEL
10053656-101LF	LEAD FREE



NOTES:

- CONNECTOR MATERIALS:  
HOUSING & RETAINER: HIGH TEMP THERMOPLASTIC, NATURAL, UL94V-0  
IMLA PLASTIC: HIGH TEMP PLASTIC, BLACK, UL94V-0  
CONTACT: COPPER ALLOY
- CONTACT PLATING:  
SEPARABLE INTERFACE: PERFORMANCE BASED PLATING, QUALIFIED TO MEET THE REQUIREMENTS OF FCI PRODUCT SPECIFICATION GS-12-239, INCLUDING TELCORDIA GR-1217-CORE (NOV 1995) CENTRAL OFFICE TEST SEQUENCE.  
PRESS-FIT TAILS: SEE TABLE
- PRODUCT SPECIFICATION: GS-12-239
- APPLICATION SPECIFICATION: GS-20-035
- PRODUCT MARKING, (PARTNUMBER & LOT CODE), ON THIS SURFACE
- THERE IS NO GROUND BUSSING WITHIN THE CONNECTOR SYSTEM.
- SEE CUSTOMER DRAWING 10045979 FOR INFORMATION ON PCB HOLE DIAMETER AND PLATING OPTIONS
- THIS PRODUCT MEETS EUROPEAN UNION DIRECTIVES AND OTHER COUNTRY REGULATIONS AS DESCRIBED IN GS-22-008.
- THE HOUSING WILL WITHSTAND EXPOSURE TO 260 °C PEAK TEMPERATURE FOR 40 SECONDS IN A CONVECTION, INFRA-RED OR VAPOR PHASE REFLOW OVEN.

SEE DETAIL B

RECOMMENDED PCB LAYOUT  
FOR SINGLE ENDED APPLICATIONS  
COMPONENT SIDE  
(TWO ADJACENT FOOTPRINTS SHOWN)

ADJACENT HEADER WIDTH	DIM C	DIM D
12MM/12MM	2MM	12MM
12MM/14MM	3MM	13MM
14MM/14MM	4MM	14MM

- PACKAGING MEETS GS-14-920 LEAD FREE LABELLING SPECIFICATION.
- A  $\triangle F$  SYMBOL WILL BE NEXT TO ANY DIMENSION, VIEW, OR NOTE WHICH HAS BEEN MODIFIED WITH THE CURRENT DRAWING REVISION.

FCI	title	AirMax VS(tm) R.A. Recpt	dwg no	10053656	Rev.	F
	Ass'y, 3 pair, 54 pos, 6 IMLA, 2 mm			CUSTOMER		sheet 3 of 3
	catalog no					