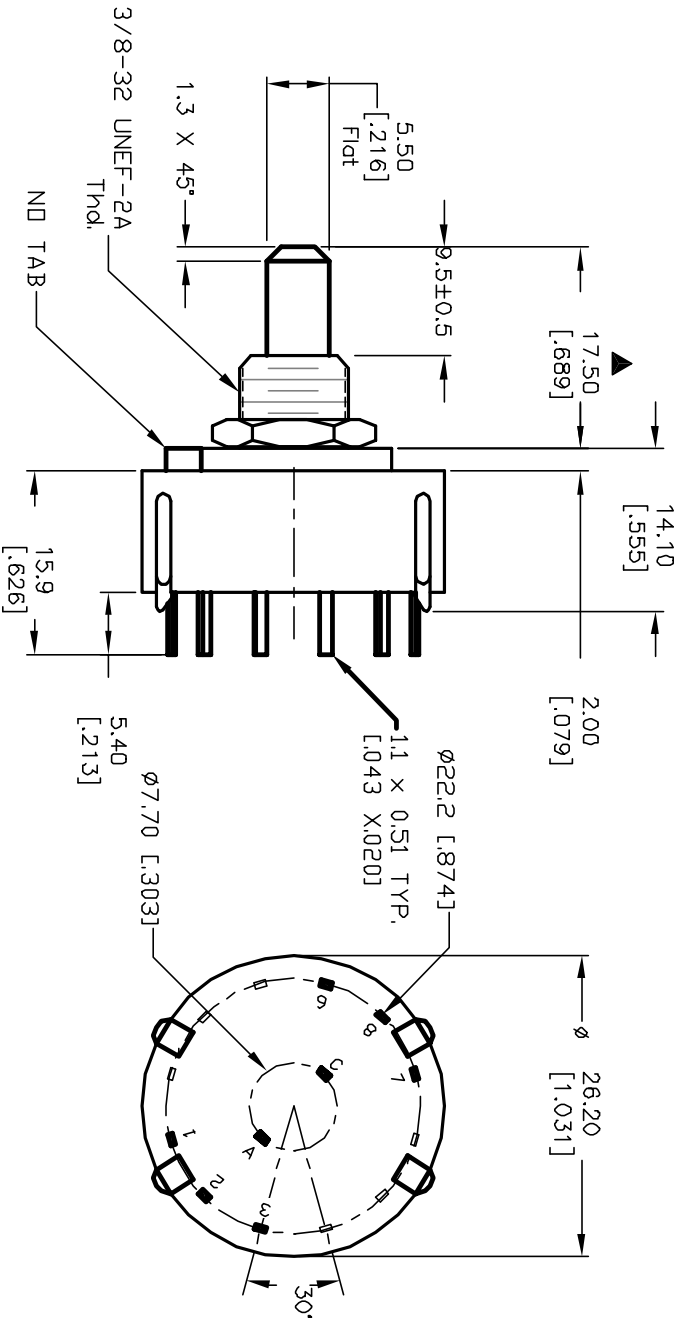
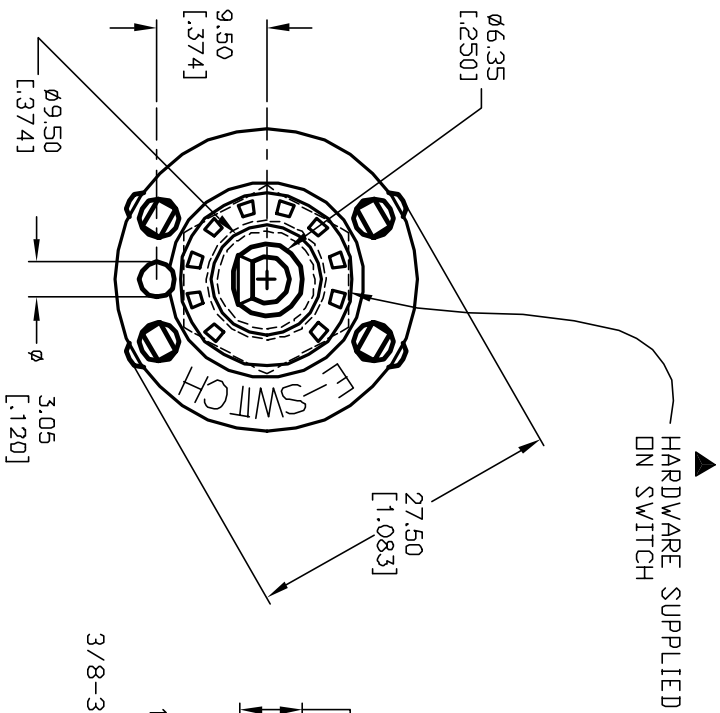
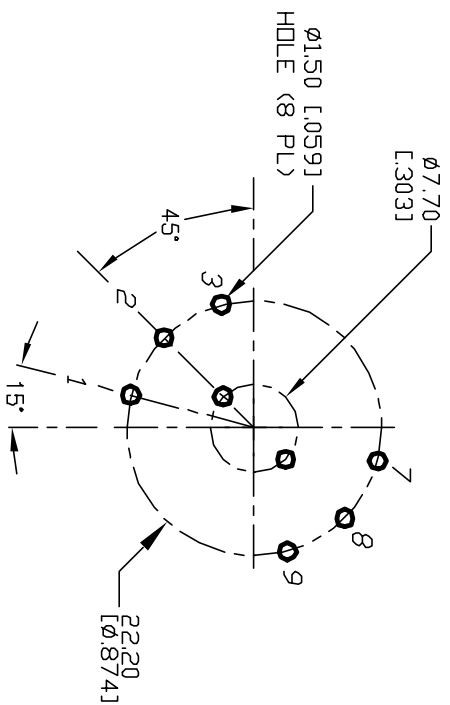
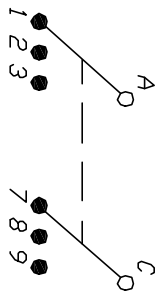


NOTES:

1. ALL DIMENSION IN MM [INCH]
2. GENERAL TOLERANCE: X.X=±0.4
X.XX=±0.25
3. TERM. NOS. FOR REF. ONLY.
4. CONTACT RATING SWITCHING: 150mA, 250V AC/DC
350mA, 110V AC/DC
5. CONTACT RATING (NON-SWITCHING) 5A
6. CONTACT MATERIAL: SILVER OVER COPPER ALLOY
7. OPERATING FORCE: 425±100 CM/STANDARD
8. OPERATING TEMP: -30° to 85°C
9. CIRCUIT DP: 3 POSITIONS, 30° INDEX.
10. TIMING: (Shorting) Make Before Break
11. DIELECTRIC STRENGTH 1000V RMS min. @ SEA LEVEL
12. DESIGNATE MAJOR DIMENSIONS
13. HARDWARE SUPPLIED ON SWITCH - SEE BELOW
STOPRING, LOCKWASHER, & HEXNUT.



C	12821	REVISE NOTE 13	3/4/03	CJB	TITLE	KC-23-A (9.5mm)-01-S-P-S (NO TAB)	SCALE	1.5:1	DATE	5/7/01	DR	CJB	DWG	G510220	REV	C
B	12424	REV DESC. PER NEW CATALOG	9/16/02	CJB												
A	11492	RELEASED FOR PRODUCTION	5/7/01	CJB												
REV.	ECN No.	DESCRIPTION	DATE	CHKD												

THE INFORMATION CONTAINED IN THIS DOCUMENT IS PROPRIETARY TO E-SWITCH AND IS NOT TO BE COPIED OR TRANSFERRED

E-SWITCH®