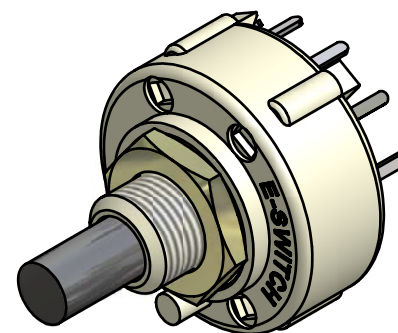
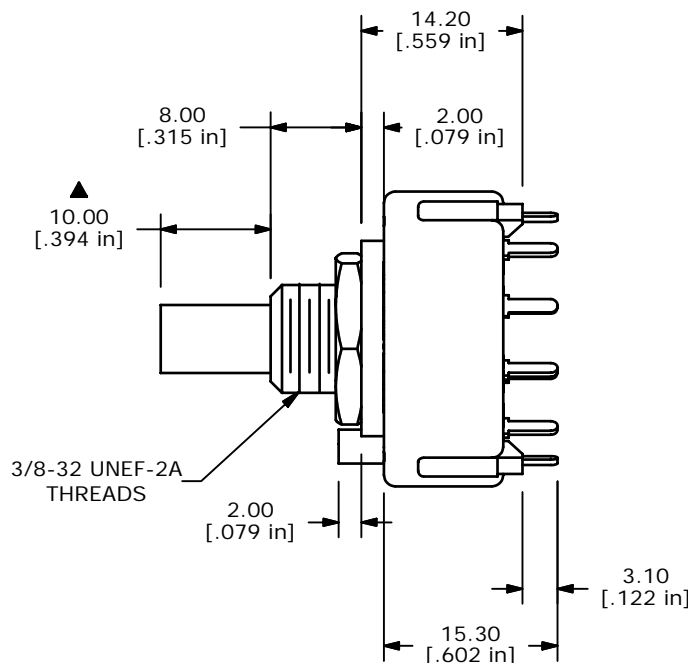
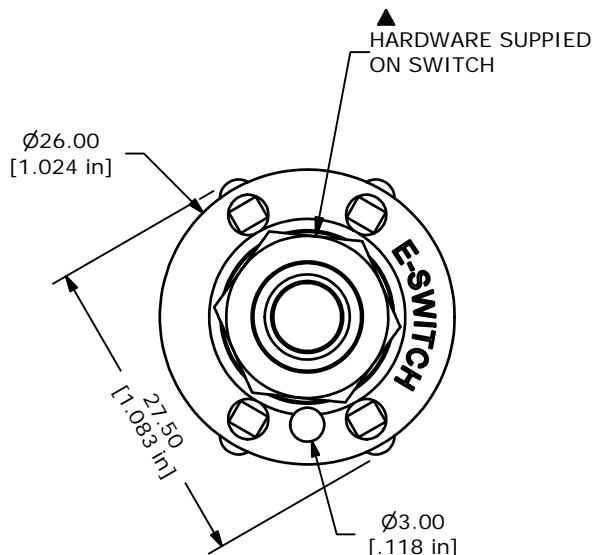
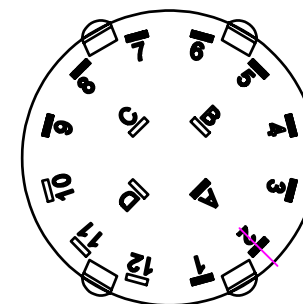


CONTACT CONFIGURATION  
TIMING (BBM) NON-SHORTING



ISOMETERIC



- NOTE:
1. ALL DIMENSIONS IN MM[INCH].
  2. GENERAL TOLERANCE: X.X=±0.4  
X.XX=±0.25
  3. TERM. NOS. FOR REFERENCE ONLY.
  - ▲ 4. CONTACT MATERIAL: SILVER
  5. CONTACT RATING: 150MILLIAMP, 250VAC/DC  
350MILLIAMP, 110VAC/DC
  6. CONTACT RATING (NON-SWITCHING) 5A
  7. OPERATING FORCE 425± 100CM/STANDARD
  8. OPERATING TEMP: -30°C TO 85°C
  - ▲ 9. CIRCUIT SP: 9 POSITION 30° INDEX.
  10. DIELECTRIC STRENGTH: 1000V RMS MIN.@ SEA LEVEL.
  - ▲ 11. HARDWARE SUPPLIED ON SWITCH:  
LOCKWASHER, HEXNUT, STOP RING
  12. ▲DENOTES CRITICAL PARAMETER.
  13. 2002/95/EC (ROHS) COMPLIANT



TITLE KC19B10.001NPS				
SCALE	DATE	DR	DWG	REV
1.5:1	6/22/2006	CT	G510101	A

A	16169	RELEASED FOR PRODUCTION	6/22/06	CT
REV	PCR NO	DESCRIPTION	DATE	BY

THE INFORMATION CONTAINED IN THIS DOCUMENT IS PROPRIETARY TO E-SWITCH AND IS NOT TO BE COPIED OR TRANSFERRED