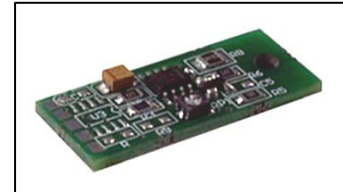




## EU-38-PD

### TECHNICAL DATA



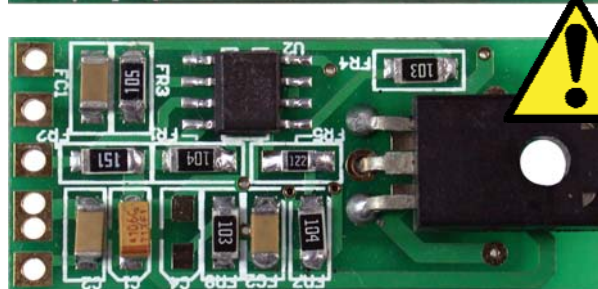
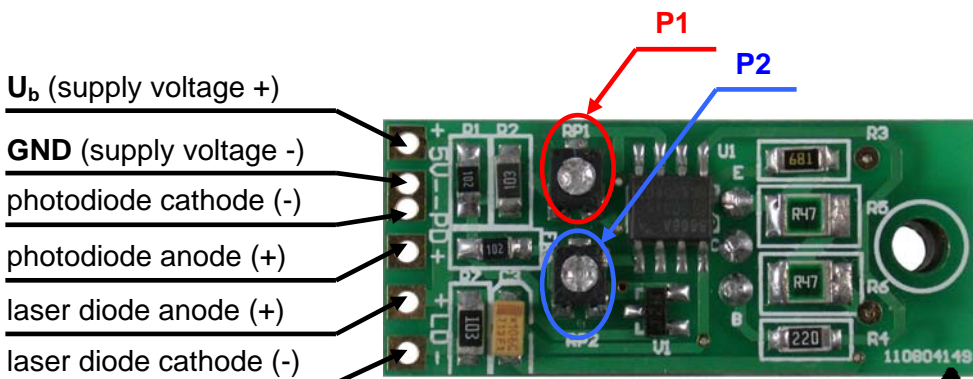
## Laser Diode Driver

### Features

- supported laser diodes : n-type, m-type, p-type
- adjustable monitor current
- adjustable laser diode current
- laser diode output power independent from supply voltage

### Specification

- dimension: 35 x 15 mm<sup>2</sup> (+/- 0.5 mm)
- supply voltage: 4.0 - 5.0 VDC
- max laser diode current: 1 A



**CAUTION**

for high currents  
use a heat sink  
transistor gets hot

**P1:** trim pot for laser diode current adjustment  
 → turn left = laser diode current increase  
 → turn right = laser diode current decrease

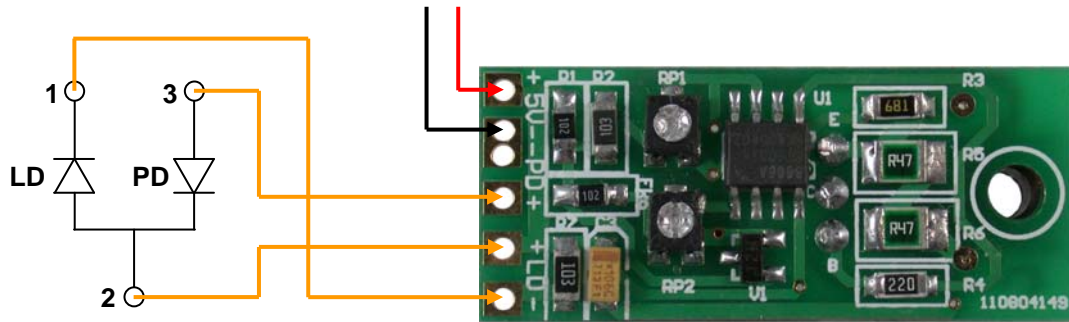
**P2:** trim pot for monitor current adjustment  
 → turn left = monitor current increase  
 → turn right = monitor current decrease

**Note:** P1 and P2 are trim pots which can be turned clockwise and counterclockwise slowly to the end points. The trim pot can be damaged, if you keep on turning it at the end points !

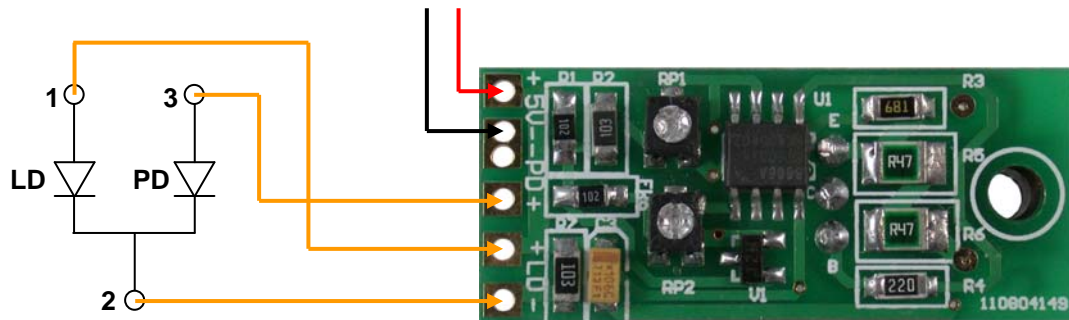


## Pin Configuration

### n-type



### m-type



### p-type

