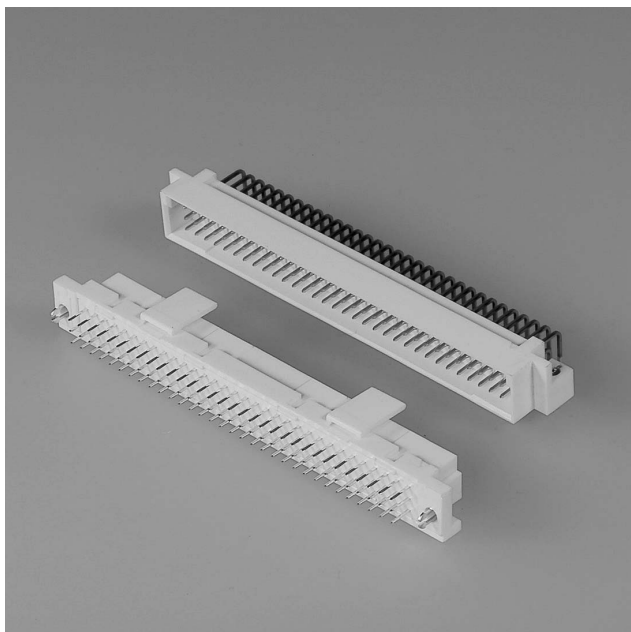
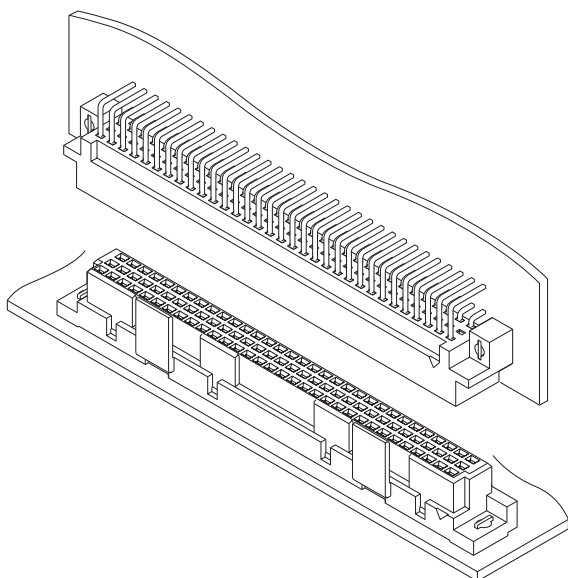


# DIN CONNECTOR

Board-to-board connectors



**Multicircuit and self-supporting style board-to-board connector**



## Features

- **Conforms to DIN standards**

- **Secure locking mechanism**

This mechanism securely holds housings and improves resistance to vibration and shock of PC board. The friction lock connector is also available.

- **Secure locking on PC board**

The DIN connector has hook pins that allows it to be temporarily mounted on the PC board. This prevents connector from lifting or changing position while it is being mounted.

## Specifications

- Current rating: 1.0A AC, DC
- Voltage rating: 50V AC, DC
- Temperature range: -25°C to +85°C  
(including temperature rise in applying electrical current)
- Contact resistance: Initial value/30m Ω max.  
After environmental testing/50m Ω max.
- Insulation resistance: 1,000M Ω min.
- Withstanding voltage: 800V AC/minute
- Applicable PC board thickness: 1.6mm
- \* Compliant with RoHS.
- \* Refer to "General Instruction and Notice when using Terminals and Connectors" at the end of this catalog.
- \* Contact JST for details.

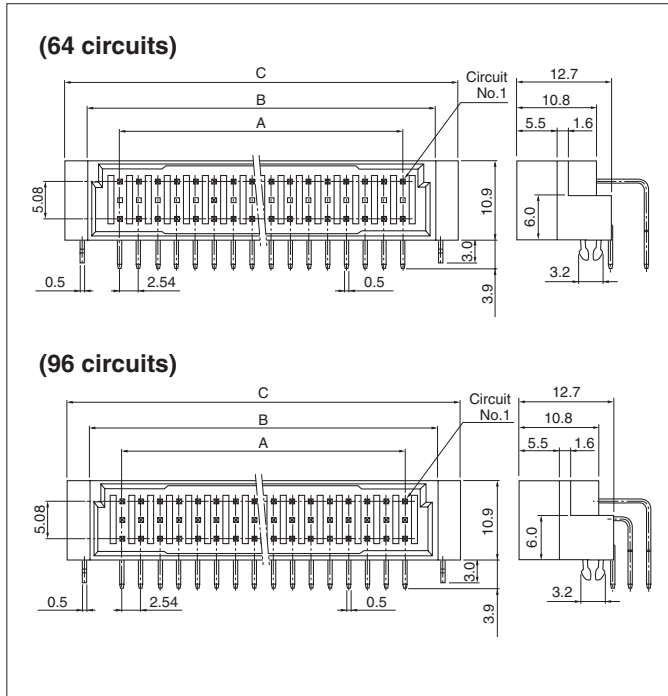
## Standards

 Recognized E60389

 Certified LR20812

# DIN CONNECTOR

## Plug



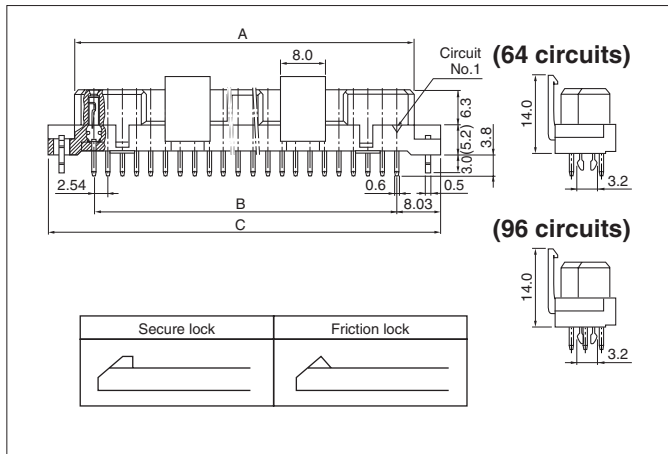
Circuits	Model No.	Dimensions (mm)			Q'ty / box
		A	B	C	
64	<b>DIN-PS6464B-10</b>	78.74	87.5	93.8	30
96	<b>DIN-PS9696B-10</b>	78.74	87.5	93.8	30

### Material and Finish

Contact: Brass, nickel-undercoated, Mating part; gold-plated  
Solder tail; tin-plated (reflow treatment)  
Housing: Glass-filled PBT, UL94V-0  
Reinforcing pin: Brass, copper-undercoated, tin-plated (reflow treatment)

**RoHS compliance** This product displays (LF)(SN) on a label.

## Receptacle



Circuits	Model No.		Dimensions (mm)			Q'ty / box
	Secure lock type	Friction lock type	A	B	C	
64	<b>DIN-R6464LB-10</b>	<b>DIN-R6464FLB-10</b>	85.0	78.74	94.8	30
96	<b>DIN-R9696LB-10</b>	<b>DIN-R9696FLB-10</b>	85.0	78.74	94.8	30

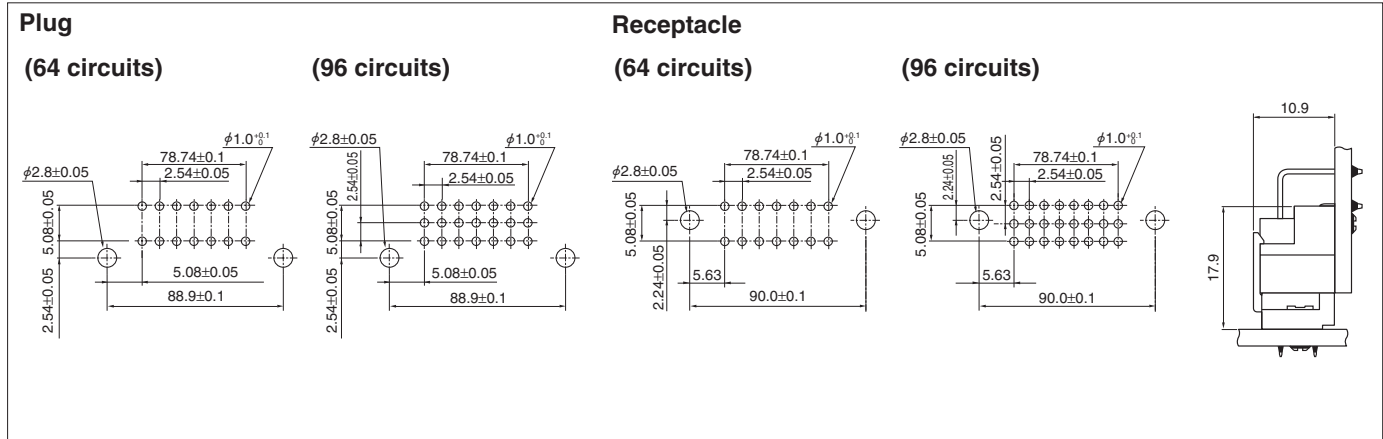
### Material and Finish

Contact: Phosphor bronze, nickel-undercoated,  
Mating part; gold-plated  
Solder tail; tin-plated (reflow treatment)  
Housing: Glass-filled PBT, UL94V-0  
Holder: Glass-filled PBT, UL94V-0  
Reinforcing pin: Brass, copper-undercoated, tin-plated (reflow treatment)

**RoHS compliance** This product displays (LF)(SN) on a label.

# DIN CONNECTOR

## PC board layout (viewed from component side) and Assembly layout



- Note:
1. Tolerances are non-cumulative:  $\pm 0.05\text{mm}$  for all centers.
  2. Hole dimensions differ according to the kind of PC board and piercing method.  
The dimensions above should serve as a guideline. Contact JST for details.