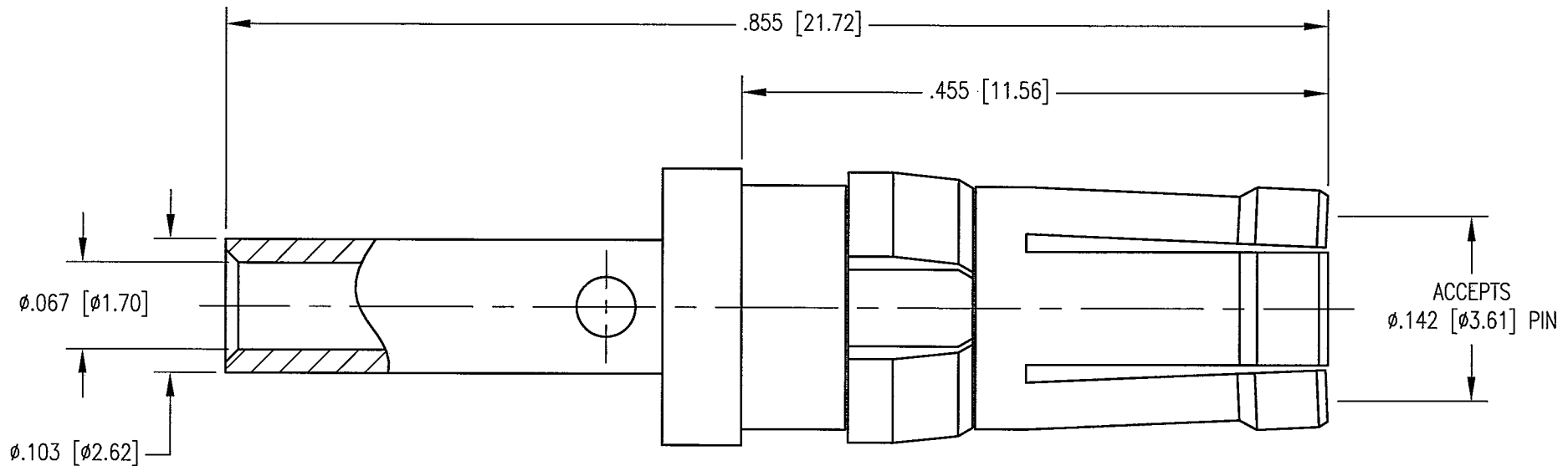


DWG. NO. 221-910-0002G

REV	DESCRIPTION	BY DATE	APPD
C	ECR 7445	JWH 8/20/00	JRM



NOTES:

- MATERIALS:
 BODY: COPPER ALLOY
 CLIP RING: BERYLLIUM COPPER PER ASTM B194
- FINISH:
 BODY: .000030 MIN. GOLD PER MIL-G-45204 OVER
 .000050 MIN. NICKEL PER QQ-N-290
 CLIP RING: .000100 MIN. NICKEL PER QQ-N-290 OVER
 COPPER FLASH
- ELECTRICAL:
 CURRENT RATING: 10 AMPS.
- DESIGNED FOR USE WITH 16 AWG WIRE.

PER ASME Y14.5M-1994 UNLESS OTHERWISE SPECIFIED: DIMENSIONS ARE IN INCHES [MM]		NORTHROP GRUMMAN	
TOLERANCES: DECIMALS .XX ± .01 [0.254] .XXX ± .005 [0.127]		Winchester Electronics 400 Park Road Watertown, CT 06795	
ANGLES ± 2°		SCALE: 8:1	
CUSTOMER DRAWING		TITLE RDM HIGH POWER RECEPTACLE	
DRAWN MJF	DATE 10/12/00	CHECKED JWH	DATE 10/12/00
APPROVED JMC	DATE 10/12/00	APPROVED JED	DATE 10/12/00
A 221-910-0002G		SMT. 1 OF 1	REV. C