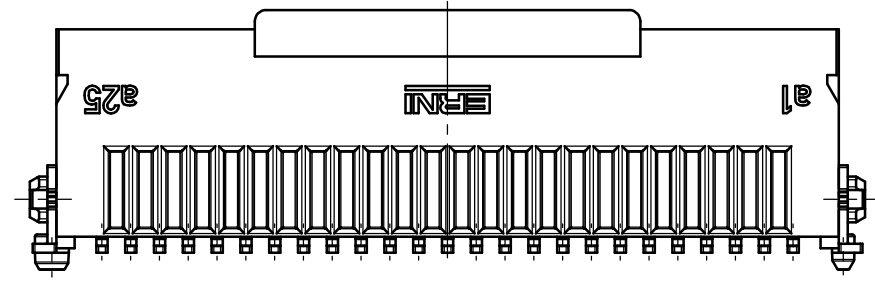


Verpackt im Gurt nach DIN IEC 60286-3
 Tape on Reel Packaging according to DIN IEC 60286-3
 Verpackungseinheit: 250 Stück
 Packaging unit: 250 pcs

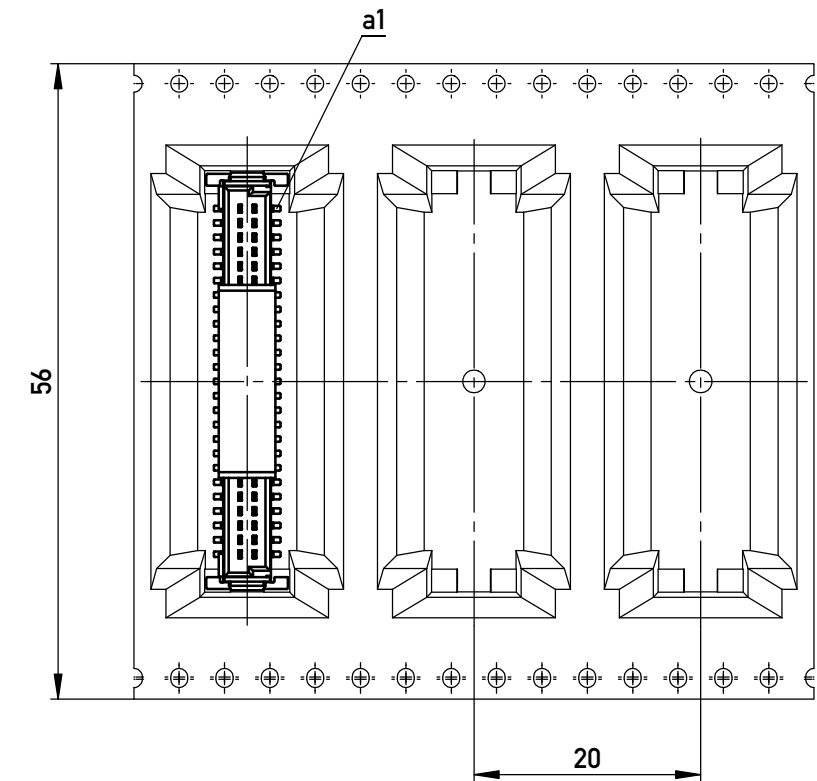
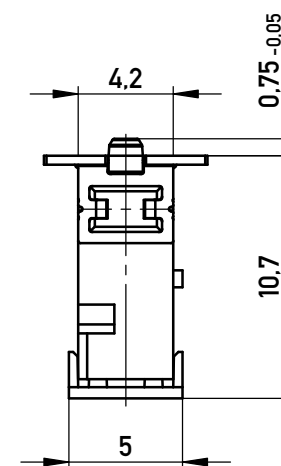
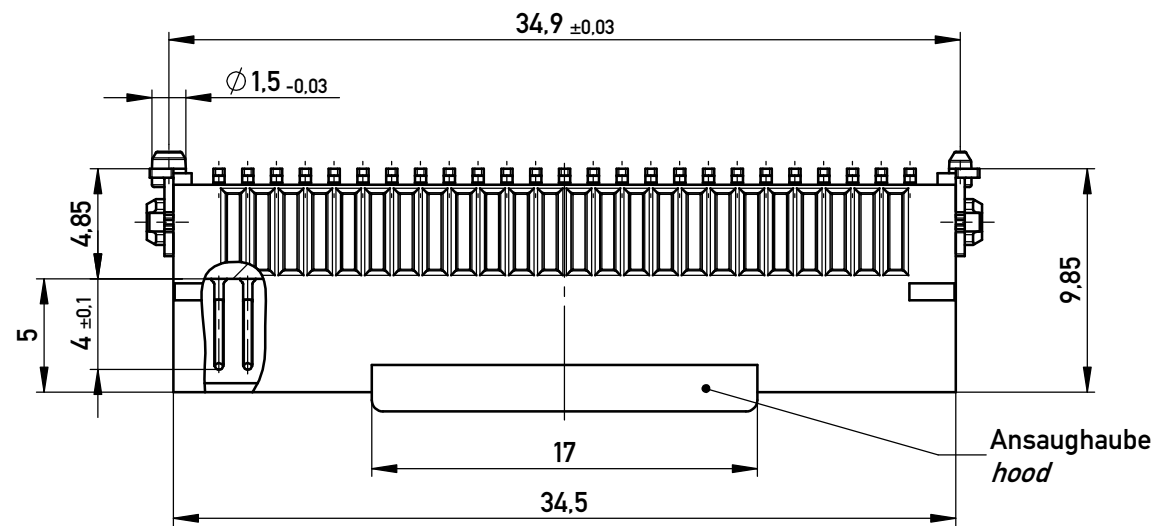
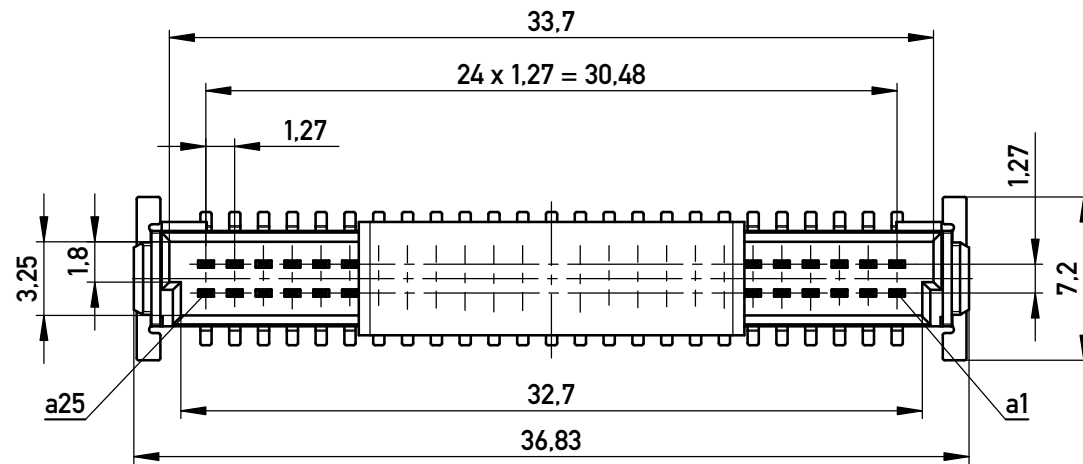
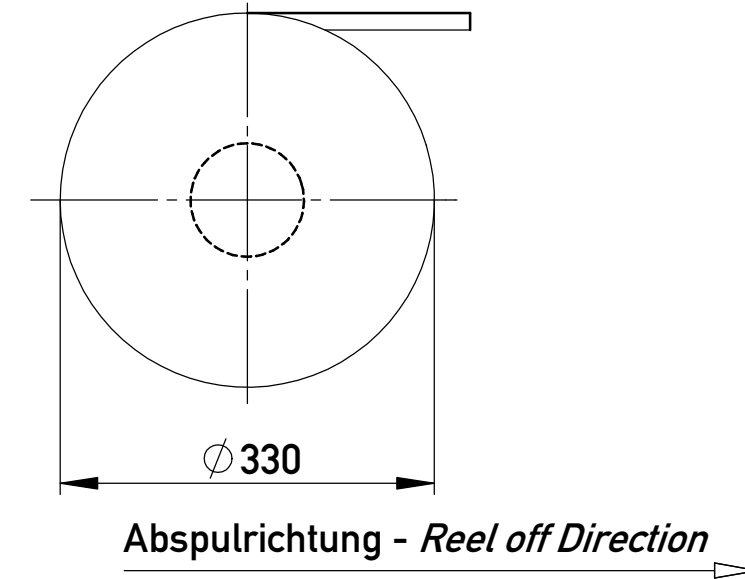


Anforderungsstufe 1
 Performance Level 1

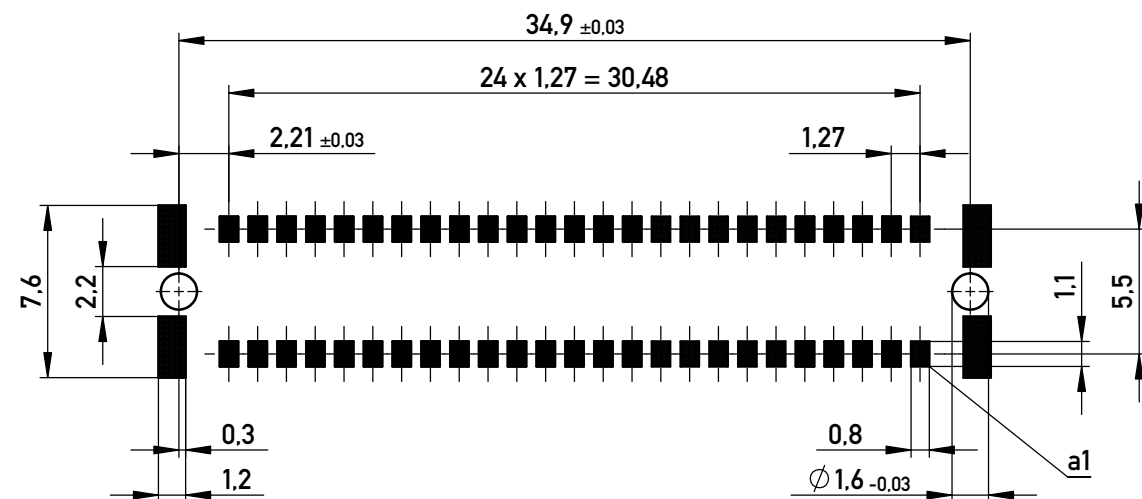
Kontaktbereich vergoldet
 Mating Area gold plating

Anschlussbereich verzinkt 4-6 µm
 Terminal Area 4-6 µm tin plating

Koplanarität der Anschlüsse ≤ 0,1 mm
 Coplanarity Area of Termination ≤ 0,1 mm



Leiterplatten-Layout Vorschlag für SMT
 PCB-Layout Proposal for SMT



BA 8-23 - hohe Bauhöhe
 type 8-23 - High Profile

Information:		Tolerances	 All Dimensions in mm	Scale	3:1
All rights reserved. Only for Information. To ensure that this is the latest version of this drawing, please contact one of the ERNI companies before using.		Subject to modification without prior notice. Drawing will not be updated.		Designation	
 www.ERNI.com		 All Dimensions in mm		Messerl. SMC-Q 50-SMD-BA8-23 Male SMC-Q 50-SMD-type8-23	
d	07.01.2014	 All Dimensions in mm		101102080001	
Index	Date	 All Dimensions in mm		Class SMCQ	
				K A3	

Copyright by ERNI GmbH
 Proprietary notice pursuant to ISO 16016 to be observed.