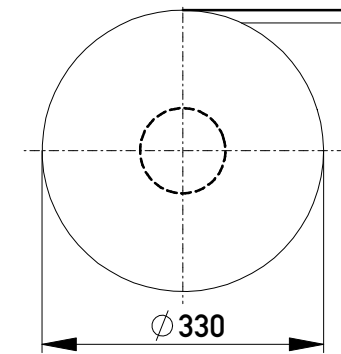
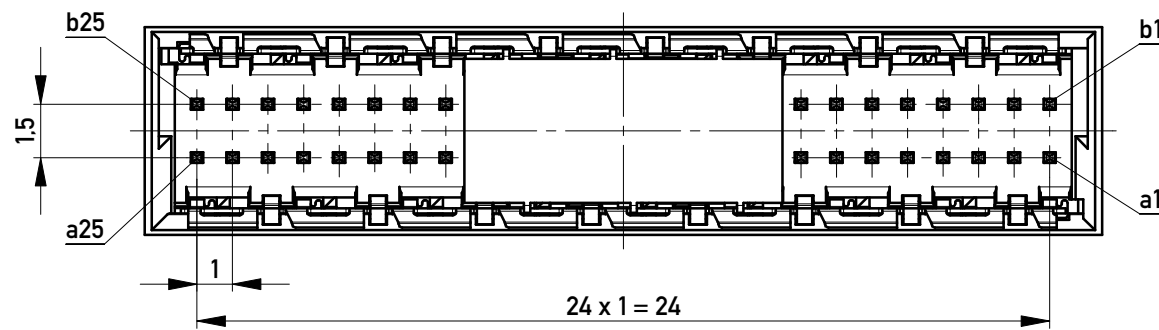


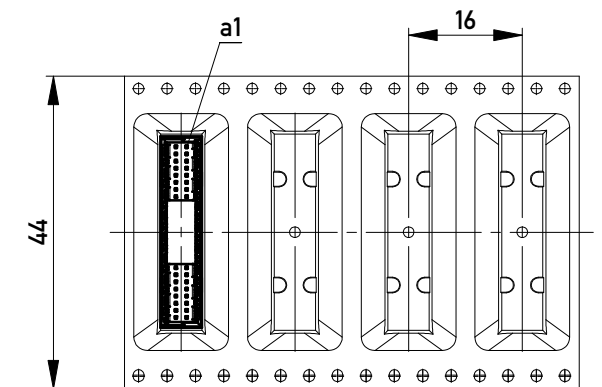
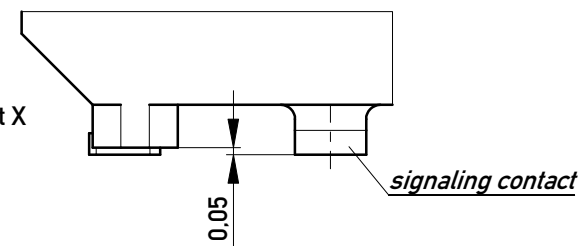
Verpackt in Gurtverpackung
Tape on Reel Packaging
Verpackungseinheit: 220 Stück
Packaging unit: 220 pcs



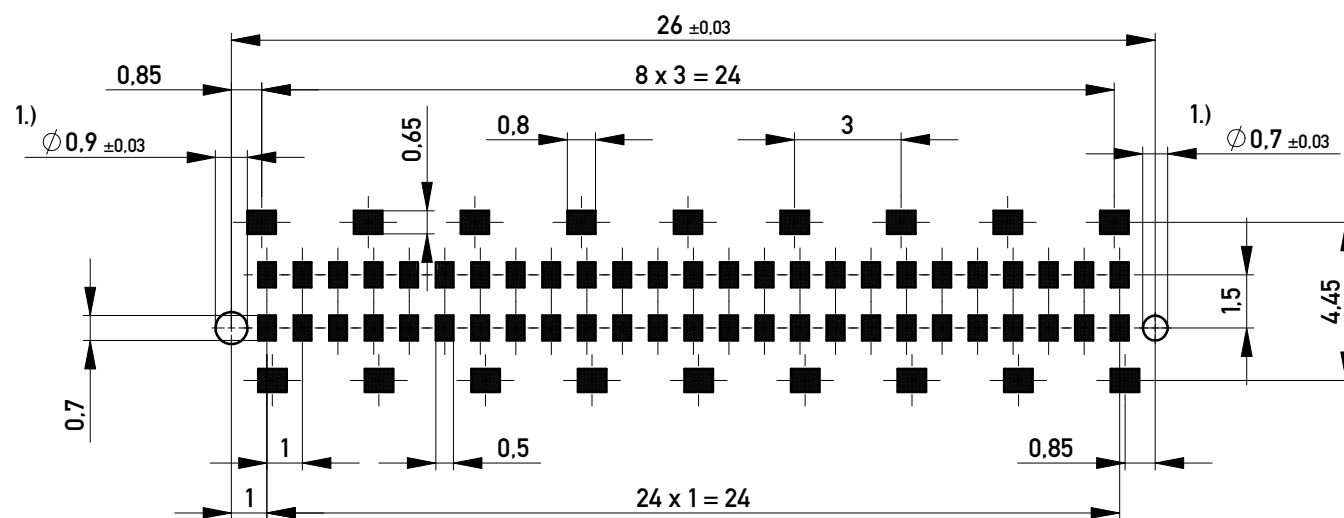
Abspulrichtung - Reel off Direction



Einzelheit X
M 20:1



Leiterplatten-Layout Vorschlag / PCB-layout proposal



1.) Durchmesser des Bohrers / Drill tool

Anforderungsstufe 1
Performance Level 1

Kontaktbereich vergoldet
Mating Area gold plating

Anschlussbereich verzinkt 4-6 µm
Terminal Area 4-6 µm tin plating

Koplanarität der Anschlüsse ≤ 0,1 mm
Coplanarity Area of Termination ≤ 0,1 mm

Information: All rights reserved. Only for Information. To ensure that this is the latest version of this drawing, please contact one of the ERNI companies before using.	Tolerances All Dimensions in mm	Scale 5:1	Designation Messerleiste 10mm SMD, 50 polig Male 10mm SMD, 50 contacts	
	Subject to modification without prior notice. Drawing will not be updated.	www.ERNI.com	100101530001	K A3
j Index	22.04.2013 Date	Class MSPEED		

Copyright by ERNI GmbH
Proprietary notice pursuant to ISO 16016 to be observed.