

OV14825 14-megapixel product brief



Premium 1080p/60 HD Video and 14.6-Megapixel Photography



available in
a lead-free
package

The OV14825 is the ultimate mobile imaging solution, combining 14.6-megapixel photography with 1080p/60 high definition (HD) video. The 1/2.33-inch OV14825 utilizes OmniVision's most advanced 1.4-micron OmniBSI™ pixel architecture to achieve optimal performance and low-light sensitivity in the industry's smallest format. The OV14825 has an active array of 4416 x 3312 backside illumination pixels operating at 15 fps in full resolution, while delivering full 1080p HD video at 60 fps, using a binning feature to achieve higher sensitivity. In full HD video mode, the sensor also provides additional pixels used for electronic image stabilization (EIS).

The OV14825's 28° chief ray angle (CRA) optimizes it for use in mobile camera applications. The sensor's small form factor is largely attributable to its CSP3 packaging, allowing for the development of ultra compact mobile

products. The OV14825 is also available in RW (bare die) for module integrators. The OV14825 enables camera designs with a low bill of materials and reduced power consumption. It is offered with industry-standard connectivity including LVDS, MIPI and DVP and does not require external IC components.

All required image processing functions, including exposure control, white balance, defective pixel canceling, noise canceling are programmable through the SCCB interface. In addition, OmniVision image sensors use proprietary sensor technology to improve image quality by reducing or eliminating common lighting/electrical sources of image contamination, such as fixed pattern noise and smearing to produce a clean, fully stable color image.

Find out more at www.ovt.com.

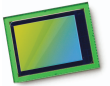
Applications

- Cellular and Mobile Phones
- Tablets
- Digital Still Cameras (DSC)
- Digital Video Camcorders (DVC)

Product Features

- ultra high performance
- automatic image control functions:
 - automatic exposure control (AEC)
 - automatic gain control (AGC)
 - automatic white balance (AWB)
 - automatic band filter (ABF)
 - automatic 50/60 Hz frequency detection
 - automatic black level calibration (ABLC)
- programmable controls for frame rate, mirror and flip, cropping, and windowing
- image quality controls: lens correction and defective pixel canceling
- support for output formats:
 - 10/12-bit RAW RGB (DVP)
 - 10/12-bit RAW RGB (MIPI/LVDS)
 - CCIR656
- support for horizontal and vertical subsampling
- support for images sizes: 14.6 Mpixel, 12.7 Mpixel, electronic image stabilization (EIS) 1080p, 1080p, EIS720p, 720p, VGA, etc.
- support for binning
- standard serial SCCB interface
- digital video port (DVP) parallel output interface
- LVDS serial output interface
- MIPI serial output interface
- embedded one-time programmable (OTP) memory for part identification, etc.
- on-chip phase lock loop (PLL)
- programmable I/O drive capability
- built-in 1.5V regulator for core

OV14825



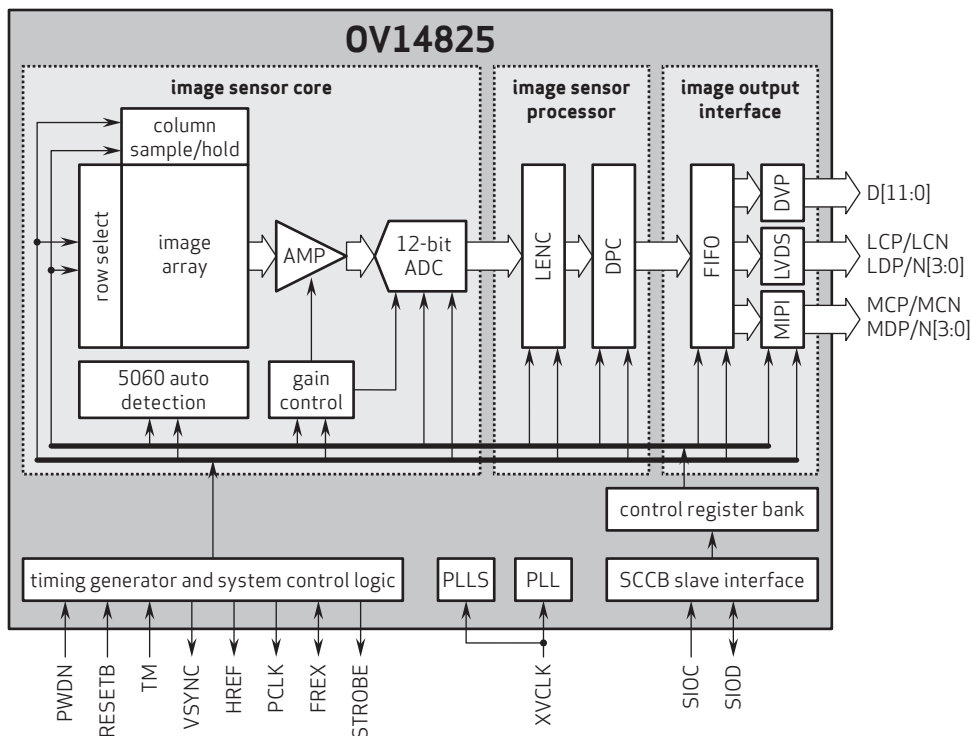
Ordering Information

- OV14825-A16A**
(color, lead-free, 116-pin CSP3)
- OV14825-G04A**
(color, chip probing, 200 μm backgrinding, reconstructed wafer)

Product Specifications

- active array size:** 4416 x 3312
- power supply:**
 - core: 1.5 VDC $\pm 5\%$ (internal regulator optional)
 - analog: 2.6 - 3.0V (2.8V typical)
 - I/O: 1.7 - 3.0V (1.8V/2.8V typical)
- power requirements:**
 - active: 230 mA
 - standby: 40 μA
 - power down: 40 μA
- temperature range:**
 - operating: -30°C to 70°C junction temperature
 - stable image: 0°C to 50°C junction temperature
- output formats:**
 - 10/12-bit RGB RAW (DVP),
 - 10/12-bit RGB RAW (MIPI/LVDS)
- lens size:** 1/2.33"
- lens chief ray angle:** 28° non-linear
- input clock frequency:** 6 - 27 MHz
- max S/N ratio:** 35 dB
- dynamic range:** 68 dB @ 8x gain
- maximum image transfer rate:**
 - 14.6MP (10-bit): 15 fps
 - EIS1080p (10-bit): 60 fps
- sensitivity:** 720 mV/lux-sec
- scan mode:** progressive
- maximum exposure interval:** 3330 x t_{row}
- pixel size:** 1.4 μm x 1.4 μm
- dark current:** 3.8 mV/sec @ 60°C junction temperature
- image area:** 6227 μm x 4653 μm
- package/die dimensions:**
 - CSP3: 8935 μm x 6975 μm
 - COB: 8950 μm x 6990 μm

Functional Block Diagram



4275 Burton Drive
Santa Clara, CA 95054
USA

Tel: + 1 408 567 3000
Fax: + 1 408 567 3001
www.ovt.com

OmniVision reserves the right to make changes to their products or to discontinue any product or service without further notice. OmniVision and the OmniVision logo are registered trademarks of OmniVision Technologies, Inc. OmniBSI is a trademark of OmniVision Technologies, Inc. All other trademarks are the property of their respective owners.

