

BPC-9317-0

17" High Brightness Panel PC with Touch Screen, Core™ 2 Duo, 4 COM, 6 USB, 12V DC Adapter

Panel PC



Open Frame Type



Features

- » Aluminum front panel design
- » 17" high brightness panel display w/touch screen
- » Supports Intel® Core™ 2 Duo processor TDP ≤ 25W
- » VGA, DVI, HDMI, dual Gigabit Ethernet, Audio port
- » 1 x 2.5" SATA HDD space
- » 4 x COM port, 6 x USB2.0 port
- » 12V DC adapter
- » 2 x 4cm ball bearing cooling fan
- » Option for Wireless LAN module
- » Option for open frame type

System

LCD

Size: 17"
 Max. Resolution: 1280 x 1024 pixels
 Brightness: 800 cd/m²
 Contrast Ratio: 800:1
 Max. Color: 16.7M colors
 Pixel Pitch: 0.264 x 0.264 mm
 Backlight: LED

Touch Screen

17" resistive

SBC

HS-1755A

CPU

Intel® Core™ 2 Duo processor P7350 2.0GHz (option)

System Chipset

Intel® GM45/ICH9-M

System Memory

2 x 200-pin SO-DIMM, DDR2 800/667MHz, Max. 4GB

Display Interface:

1 x D-SUB 15-pin
 1 x DVI
 1 x HDMI

Audio Interface

Audio jack for MIC In, Line Out, Line In

Ethernet Interface

2 x RJ-45 for Gigabit Ethernet
 1 x USB wireless LAN module (option)

Storage

1 x 2.5" SATA HDD space

Watchdog Timer

Software programmable time-out intervals from 1~255 sec. or 1~255min.

H/W Status Monitor

Monitoring temperatures, voltages, and cooling fan status

Thermal System

2 x 4cm ball bearing cooling fan

Power

12V 150W DC adapter

Operating/Storage Temperature

0~50°C/-20~+70°C

Certification

FCC/CE Class A compliance
 IP65 front panel protection compliance

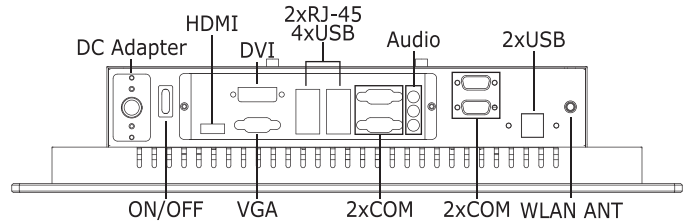
Dimensions

45.0(L) x 37.0(H) x 8.46(W) cm

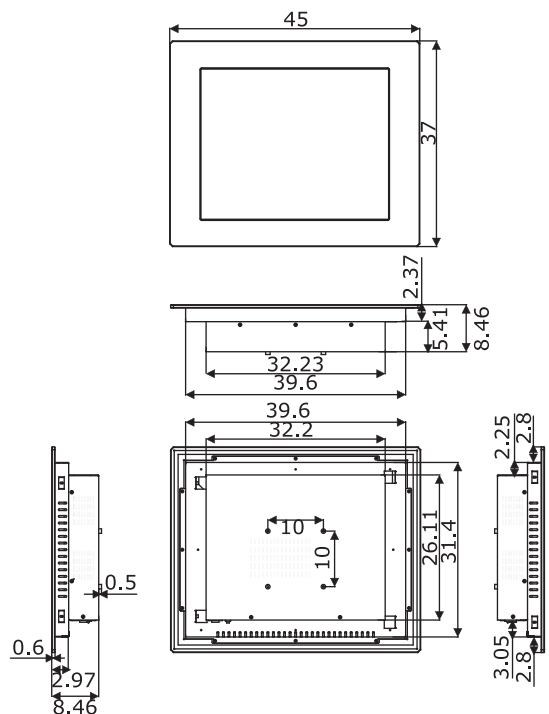
Cut Out Size

40.0(L) x 31.8(H) cm

I/O Interface



Dimensions (unit:cm)



Ordering Information

BPC-9317-0

17" High Brightness Panel PC w/Touch Screen, 4 COM, 6 USB, 12V DC Adapter

OPC-9317-0

17" Open Frame High Brightness Panel PC w/Touch Screen, 4 COM, 6 USB, 12V DC Adapter

Accessory Options

Table Top Metal Stand, CPU, Memory Module, Wireless LAN Module, 2.5" SATA HDD