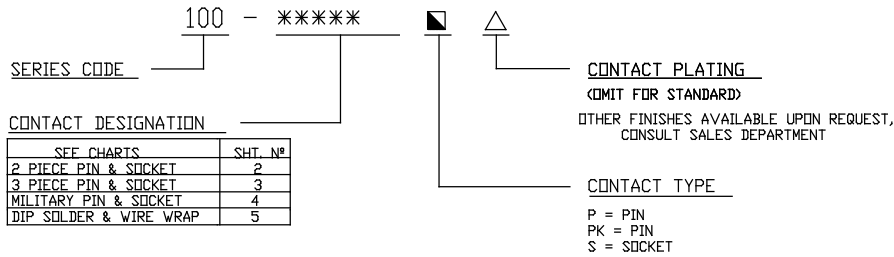


NOTES:

1. REF - WIRE STRIP LENGTH TO BE .187/4.75.
2. CRIMP CONTACTS AVAILABLE ON REELS (2000/REEL). SEE CHART FOR REEL PART N^o.
3. CATALOG NUMBER CODE:

100 SERIES CODE ORDER CHART



SPECIFICATIONS

MATERIALS & FINISHES

- ① Socket Contact ————— Material: Copper Alloy
Finish: Standard= 8*/0.2*m Min Gold Over Nickel
Military= 50*/1.25*m Min Gold Over Nickel
- ② Pin Contact ————— Material: Copper Alloy
Finish: Standard= 8*/0.2*m Min Gold Over Nickel
Military= 50*/1.25*m Min Gold Over Nickel
- ③ Retainer Clip ————— Material: Standard= Beryllium Copper Alloy
Finish: Gold Plated
- ④ Contact Spring ————— Material: Beryllium Copper Alloy
Finish: Standard= Nickel Plated
Military= Gold Plated
- ⑤ Contact Spring ————— Material: Beryllium Copper Alloy
Finish: Gold Plated

PERFORMANCE CHARACTERISTICS

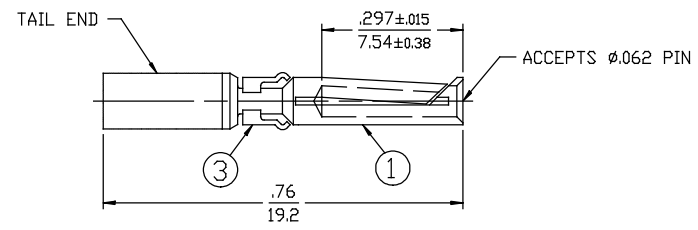
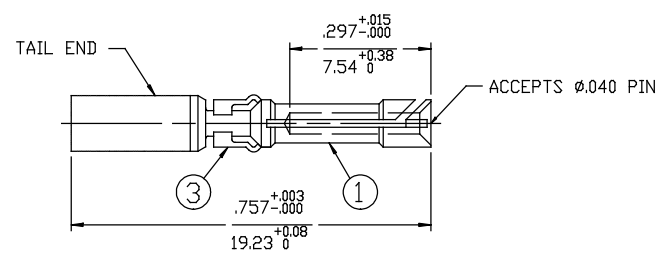
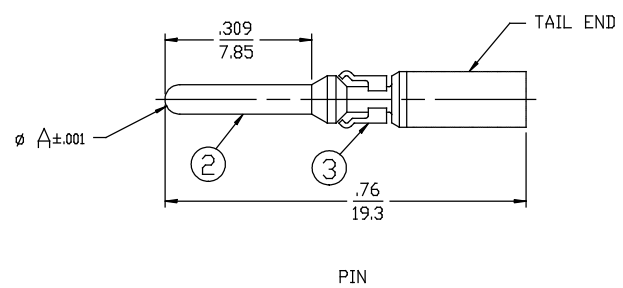
- Conforms to ————— MIL-C-39029
- Current rating ————— 7.5 amps. max. for Ø.040/1.02 per individual contact
13 amps. max. for Ø.0625/1.587 per individual contact

ACCESSORY TOOLS

DESCRIPTION	CATALOG N ^o	LOCATORS/POSITIONERS	CRIMP DEPTH BLOCK	SPANNER WRENCH
INSERTION TOOL	107-1015	—————	—————	—————
REMOVAL TOOL	107R-1001			
REMOVAL TOOL	107-1005			
NON-ADJUSTABLE HAND CRIMP MS-3191-2	107-0970	107-0981 (#14) 107-0977 (#16,#18) 107-0976 (#20,#22,#24,#26)	—————	—————
HAND CRIMP	107-0903-2A	107-0945	—————	107-1102
PNEUMATIC AUTOMATIC CRIMP	107-0961	—————	107-0965-#20 107-0966-#16	—————
NON-ADJUSTABLE MINIATURE HAND CRIMP	107-43300	107-43304 107-0993 (#20,#22,#24,#26)	—————	—————
ADJUSTABLE MINIATURE HAND CRIMP	107-0625	107-0628	—————	—————
CONTACT PIN STRAIGHTENER	107-1024	—————	—————	—————
GAGE PLUG	5431	—————	—————	—————

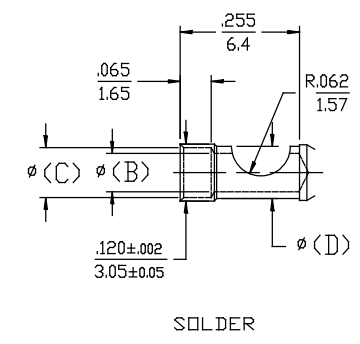
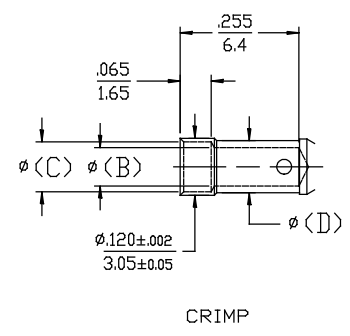
PER ANSI Y14.5M-1982 UNLESS OTHERWISE SPECIFIED: DIMENSIONS ARE IN INCHES OR INCHES / MM TOLERANCES DECIMALS .XX ±.02 .XXX ±.010 ANGLES ° SCALE: 5:1		 Winchester Electronics Corporation 66 Barnes Industrial Road North Wallingford, Connecticut 06492
CUSTOMER DRAWING		
DRAWN: K.I.B. DATE: 03/28/96 CHECKED: V.P.M. DATE: 03/29/96 APPROVED: V.B.H. DATE: 03/28/96 R.D.R. DATE: 03/29/96		TITLE: MRAC REMOVABLE PIN & SOCKET CONTACTS
C	22891	SHT 1 OF 5

REV	DESCRIPTION	BY DATE	APPD
K	ER044303	MAK 07/9/92	HEV



TAIL OPTIONS

2 PIECE SOCKETS



PIN $\phi A = .0625/1.587$				PIN $\phi A = .040/1.02$				WIRE SIZE	B	C	D
CRIMP CAT. N°		SOLDER CAT. N°		CRIMP CAT. N°		SOLDER CAT. N°					
CONTACT	REEL [2]	CONTACT	REEL	CONTACT	REEL [2]	CONTACT	REEL				
100-1026P-△	100-0963P-△	---	---	---	---	---	---	26-28-30	.024/0.61	.050/1.27	.077/1.95
100-1024P-△	100-0917P-△	100-2524P-△	---	100-2024P-△	100-0951P-△	100-2624P-△	---	24-26-28	.027/0.68	.055/1.40	.077/1.95
100-1022P-△	100-0907P-△	100-2522P-△	---	100-2022P-△	100-0947P-△	100-2622P-△	---	22-24-26	.033/0.84	.055/1.40	.077/1.95
100-1020P-△	100-0915P-△	100-2520P-△	---	100-2020P-△	100-0945P-△	100-2620P-△	---	20-22-24	.046/1.17	.069/1.75	.077/1.95
100-1018P-△	100-0913P-△	100-2518P-△	---	100-2018P-△	100-0943P-△	100-2618P-△	---	18-20-22	.052/1.32	.078/1.98	.096/2.44
100-1016P-△	100-0911P-△	100-2516P-△	---	100-2016P-△	100-0949P-△	100-2616P-△	---	16-18-20	.068/1.73	.094/2.39	.110/2.79
100-1014P-△	100-0909P-△	100-2514P-△	---	---	---	---	---	14-16-18	.081/2.06	.105/2.67	.110/2.79
100-1012P-△	100-0903P-△	---	---	---	---	---	---	12-14	.098/2.49	---	.120/3.05
100-1026S-△	100-0965S-△	---	---	---	---	---	---	26-28-30	.024/0.61	.050/1.27	.077/1.95
100-1024S-△	100-0927S-△	100-2524S-△	---	100-2024S-△	100-0941S-△	100-2624S-△	---	24-26-28	.027/0.68	.055/1.40	.077/1.95
100-1022S-△	100-0908S-△	100-2522S-△	---	100-2022S-△	100-0937S-△	100-2622S-△	---	22-24-26	.033/0.84	.055/1.40	.077/1.95
100-1020S-△	100-0925S-△	100-2520S-△	---	100-2020S-△	100-0935S-△	100-2620S-△	---	20-22-24	.046/1.17	.069/1.75	.077/1.95
100-1018S-△	100-0923S-△	100-2518S-△	---	100-2018S-△	100-0933S-△	100-2618S-△	---	18-20-22	.052/1.32	.078/1.98	.096/2.44
100-1016S-△	100-0921S-△	100-2516S-△	---	100-2016S-△	100-0939S-△	100-2616S-△	---	16-18-20	.068/1.73	.094/2.39	.110/2.79
100-1014S-△	100-0919S-△	100-2514S-△	---	---	---	---	---	14-16-18	.081/2.06	.105/2.67	.110/2.79

PER ANSI Y14.5M-1982
UNLESS OTHERWISE SPECIFIED:
DIMENSIONS ARE IN INCHES OR INCHES / MM

TOLERANCES
DECIMALS .XX ±.02
XXX ±.010

ANGLES ± SCALE: 5:1

CUSTOMER DRAWING

WINCHESTER ELECTRONICS
Winchester Electronics Corporation
62 Service Industrial Road North
Wallingford, Connecticut 06495

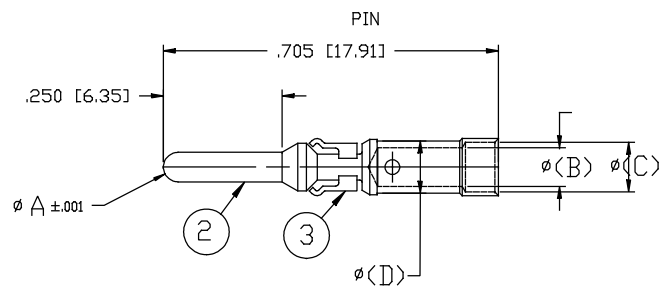
TITLE: MRAC REMOVABLE PIN & SOCKET CONTACTS

DRAWN: Donna 05/18/94 DATE CHECKED: J.M.G. 08/18/94

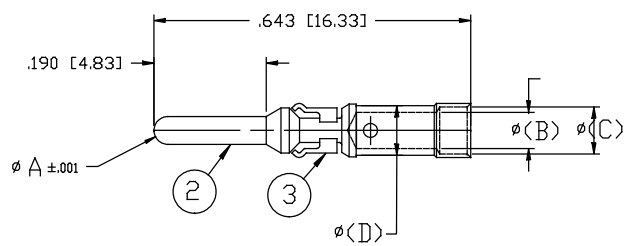
APPROVED: V.B.H. 08/18/94 DATE APPROVED: D.R. 08/19/94

C 22891 SH. 2 OF 5 REV. K

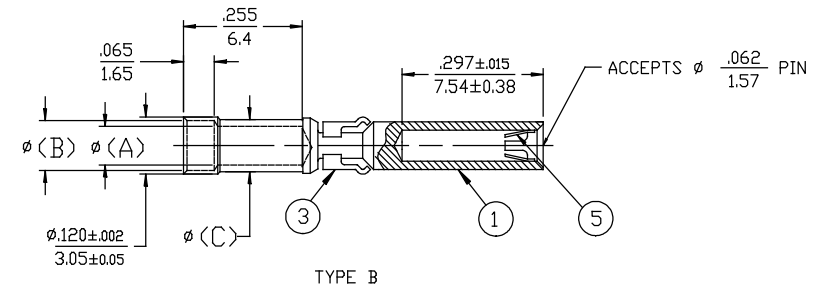
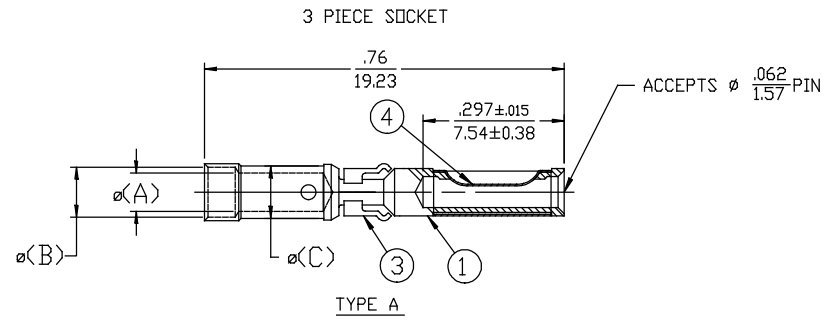
REV	DESCRIPTION	BY DATE	APPD
K	ER044303	MARK 10/05/12	V.B.H.



PIN $\phi A = .0625/1.587$		PIN $\phi A = .040/1.02$		WIRE SIZE	B	C	D
CONTACT	REEL	CONTACT	REEL				
100-1024PK- Δ	100-0976PK- Δ	100-2024PK- Δ	100-0990PK- Δ	24-26-28	.027/0.68	.055/1.40	.077/1.95
100-1022PK- Δ	100-0975PK- Δ	100-2022PK- Δ	100-0980PK- Δ	22-24-26	.033/0.84	.069/1.75	.077/1.95
100-1020PK- Δ	100-0974PK- Δ	100-2020PK- Δ	100-0998PK- Δ	20-22-24	.046/1.17	.078/1.98	.096/2.44
100-1018PK- Δ	100-0973PK- Δ	100-2018PK- Δ	100-0989PK- Δ	18-20-22	.052/1.32	.094/2.39	.096/2.44
100-1016PK- Δ	100-0972PK- Δ	100-2016PK- Δ	100-0988PK- Δ	16-18-20	.068/1.73	.105/2.67	.110/2.79
100-1014PK- Δ	100-0971PK- Δ			14-16-18	.081/2.06		



PIN $\phi A = .0625/1.587$		WIRE SIZE	B	C	D
CONTACT	REEL				
100-1024PK- Δ -5585	—	24-26-28	.027/0.68	.055/1.40	.077/1.95
100-1022PK- Δ -5585	—	22-24-26	.033/0.84	.069/1.75	.077/1.95
100-1020PK- Δ -5585	—	20-22-24	.046/1.17	.078/1.98	.096/2.44
100-1018PK- Δ -5585	—	18-20-22	.052/1.32	.094/2.39	.096/2.44
100-1016PK- Δ -5585	—	16-18-20	.068/1.73	.105/2.67	.110/2.79
100-1014PK- Δ -5585	—	14-16-18	.081/2.06	.105/2.67	



CATALOG N°	REEL CAT. N°	WIRE SIZE	A	B	C	TYPE
100-51014S- Δ	100-0981S- Δ	14-16-18	.081/2.06	.105/2.67	.110/2.79	A
100-51016S- Δ	100-0982S- Δ	16-18-20	.067/1.70	.094/2.39	.096/2.44	
100-51018S- Δ	100-0983S- Δ	18-20-22	.052/1.32	.078/1.98	.096/2.44	
100-51020S- Δ	100-0984S- Δ	20-22-24	.045/1.14	.067/1.70	.077/1.95	
100-51022S- Δ	100-0985S- Δ	22-24-26	.033/0.84	.055/1.40	.077/1.95	
100-51024S- Δ	100-0986S- Δ	24-26-28	.027/0.68	.050/1.27	.077/1.95	B
100-51026S- Δ	100-0987S- Δ	26-28-30	.024/0.61	.050/1.27	.077/1.95	
100-61014S- Δ	100-8024S- Δ	14-16-18	.081/2.06	.105/2.67	.110/2.79	
100-61016S- Δ	100-8025S- Δ	16-18-20	.067/1.70	.094/2.39	.096/2.44	
100-61018S- Δ	100-8026S- Δ	18-20-22	.052/1.32	.078/1.98	.096/2.44	
100-61020S- Δ	100-8027S- Δ	20-22-24	.045/1.14	.067/1.70	.077/1.95	
100-61022S- Δ	100-8028S- Δ	22-24-26	.033/0.84	.055/1.40	.077/1.95	
100-61024S- Δ	100-8029S- Δ	24-26-28	.027/0.68	.050/1.27	.077/1.95	
100-61026S- Δ	100-8030S- Δ	26-28-30	.024/0.61	.050/1.27	.077/1.95	

PER ANSI Y14.5M-1982
UNLESS OTHERWISE SPECIFIED:
DIMENSIONS ARE IN INCHES... OR INCHES / MM
TOLERANCES
DECIMALS .XX $\pm .02$
 .XXX $\pm .010$
ANGLES \pm SCALE: 5:1

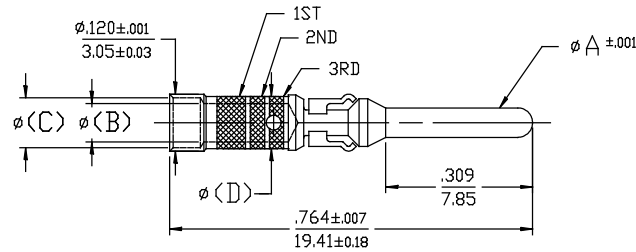


DRAWN		DATE CHECKED		DATE	
K.D.B.		03/28/96		W.P.M. 03/29/96	
APPROVED		DATE APPROVED		DATE	
V.B.H.		03/28/96		R.D.R. 03/29/96	

TITLE		MRAC REMOVABLE PIN & SOCKET CONTACTS	
C	22891	SHT. 3 OF 5	REV. K

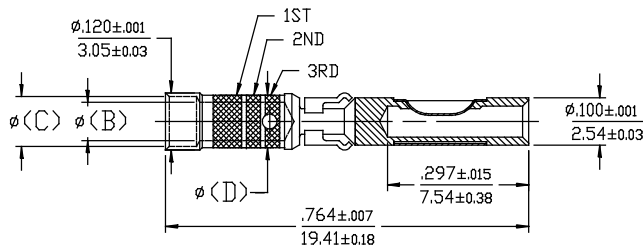
MILITARY PIN & SOCKET ASSEMBLIES

REV	DESCRIPTION	BY DATE	APPD
K	ER044303	10/19/92	V.B.H.

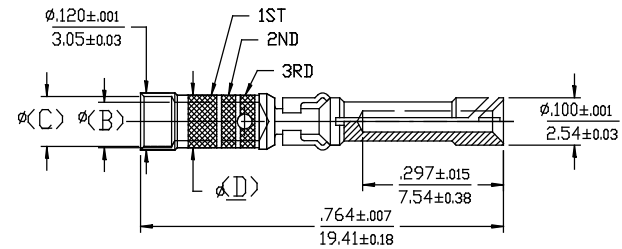


PIN CONTACTS

PARTS LIST											
MILITARY CONTACT CAT. N°	V.E.D. CONTACT CAT. N°	REEL CAT. N°	COLOR BANDS			WIRE SIZE	PIN ϕ A	B	C	D	USED IN CONNECTOR SERIES
			1ST	2ND	3RD						
M39029/34-271	100R-2020P95	100R-0945P95	RED	VIOLET	BROWN	20-22-24	.040/1.02	.046/1.17	.069/1.75	.077/1.95	M28748
M39029/34-272	100R-1020P95	100R-0915P95			RED	20-22-24	.0625/1.587	.068/1.73	.094/2.39	.110/2.79	
M39029/34-273	100B-1016P95	100B-0911P95			ORANGE	16-18-20					



CATALOG N°S M39029/35-275 & -276 SHOWN



CATALOG N° M39029/35-274 SHOWN

SOCKET CONTACTS

PARTS LIST											
MILITARY CONTACT CAT. N°	V.E.D. CONTACT CAT. N°	REEL CAT. N°	COLOR BANDS			WIRE SIZE	MATING PIN ϕ	B	C	D	USED IN CONNECTOR SERIES
			1ST	2ND	3RD						
M39029/35-274	100R-2020S95	100R-0979S95	RED	VIOLET	YELLOW	20-22-24	.040/1.02	.046/1.17	.069/1.75	.077/1.95	M28748
M39029/35-275	100R-51020S95	100R-0984S95			GREEN	20-22-24	.0625/1.587	.068/1.73	.094/2.39	.110/2.79	
M39029/35-276	100B-51016S95	100B-0982S95			BLUE	16-18-20					

PER ANSI Y14.5M-1982
UNLESS OTHERWISE SPECIFIED:
DIMENSIONS ARE IN INCHES OR INCHES / MM

TOLERANCES
DECIMALS .XX \pm .02
 .XXX \pm .010
ANGLES \pm X° SCALE: 5:1

WINCHESTER ELECTRONICS
Winchester Electronics Corporation
66 Barnes Industrial Road North
Villingford, Connecticut 06495

CUSTOMER DRAWING

TITLE: MRAC REMOVABLE PIN & SOCKET CONTACTS

DRAWN: K.I.B. DATE: 03/28/96 CHECKED: V.P.M. DATE: 03/29/96
APPROVED: V.B.H. DATE: 03/28/96 APPROVED: R.D.R. DATE: 03/29/96

C 22891 SHT. 4 OF 5 REV. K

