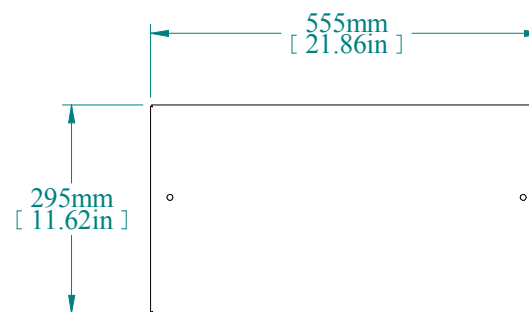


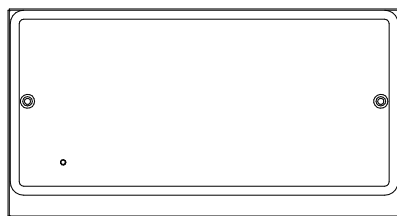
ISOMETRIC VIEW



TOP VIEW



FRONT VIEW



REAR VIEW



L.S. VIEW

PART NUMBERS	
HTCMS36	PAINTED TEXTURED GRAY RAL 7035

NOTES
Side Panel for 300mm Top Cabling Module See Hammond Website for Additional Accessories.

Data subject to change without notice. Isometric drawing not to scale.



**HAMMOND
MANUFACTURING™**
www.hammondmfg.com
PART NO. HTCMS36