

922, 923 & 924 Midget Flanged Incandescent Lampholders

Overview

The 922, 923 and 924 Series are relampable midget flanged base lampholders. The mating lens cap accepts a T-1 3/4 midget flanged base incandescent lamp, held in the lens assembly by means of a friction fit which insures good contact and prevents the lamp from falling out when the lens is removed. A Littelites Lens Cap Assembly must be used with the holder to hold the lamp in proper relationship to the socket contact.

Approvals

UL Recognized and CSA Certified.

Specifications

Housing: Brass. Black nickel finish standard. Bright nickel or chrome finish optional.

Internal Tooth Lockwasher: Nickel-plated finish.

Hex Nut: Brass. 922 and 923 Series: Bright nickel finish. 924 Series: Same finish as housing finish.

Terminals: Brass. Tin-plated with elongated slot (3/64" x 3/32"). Tapered to accept a quick-connect receptacle. Center contact marked +.

Socket: Brass. Bright nickel-plated.

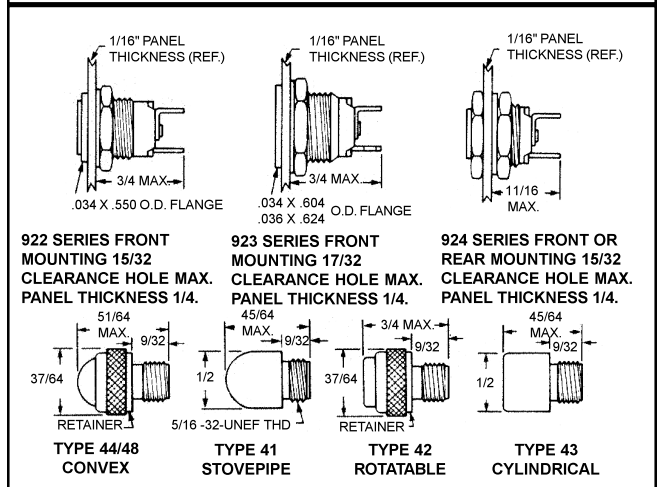
Lens: Heat resistant, high strength polycarbonate.

Lens Marking: Flat rotatable lenses may be stamped. Contact factory.

Lens Barrel: Brass. Nickel-plated.

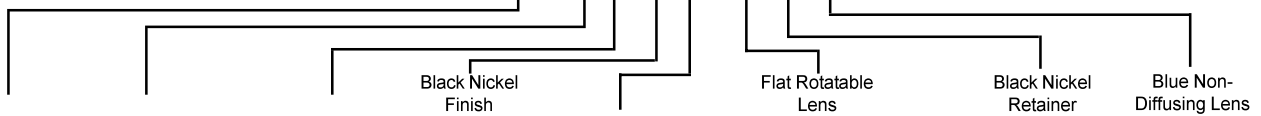
Lens Retainer: Brass. Black nickel finish. Bright nickel or chrome finish optional.

922, 923, 924 Series Max. Rating: 1.12 Watts, 28 Volts.



ORDERING INFORMATION:

EXAMPLE: 9 2 2 4 0 4 X 42 4 BN



Series Number	Lampholders				Lens Cap Assembly			
	Termination	Features	Finish	Resistor	Lens Style	Retainer	Lens Color	
922	4 Solder Lug Terminals	0 None	4 Black Nickel Standard	X None	41 Stovepipe	0 ² No Retainer	AN Amber	
923			5 Bright Nickel		42 ¹ Flat Rotatable		4 Black Nickel Finish (Standard)	CN Colorless
924			7 Chrome		43 Cylindrical			GN Green
					44 Convex - Nondiffusing Colors Only	5 Bright Nickel Finish	RN Red	
					48 Convex - Diffusing Colors Only		7 Chrome Finish	WN White
								YN Yellow
							Translucent	
							AT Amber	
							BT Blue	
							GT Green	
							RT Red	
							WT White	
							YT Yellow	
							Diffusing	
							AD Amber	
							BD Blue	
							CD Colorless	
							GD Green	
							RD Red	
							YD Yellow	

¹ See back page of Littelite section for Lampholder/Resistor Selection.

² Use with type 3 finish on lampholder.