

4510 Group

SINGLE-CHIP 4-BIT CMOS MICROCOMPUTER

DESCRIPTION

The 4510 Group is a 4-bit single-chip microcomputer designed with CMOS technology. Its CPU is that of the 4500 series using a simple, high-speed instruction set. The computer is equipped with serial I/O, four 8-bit timers (each timer has a reload register), A-D converter, and zero cross detection circuit.

The various microcomputers in the 4510 Group include variations of the built-in memory type and package as shown in the table below.

FEATURES

- Minimum instruction execution time 0.5 μ s (at 6.0 MHz system clock frequency)
- Supply voltage
 - 4.5 V to 5.5 V (at 6.0 MHz system clock frequency)
 - 4.0 V to 5.5 V (at 4.0 MHz system clock frequency)
 - 2.5 V to 5.5 V (at 2.0 MHz system clock frequency)
 - 2.0 V to 5.5 V (at 1.5 MHz system clock frequency: only for Mask ROM versions)

- Timers
 - Timer 1 8-bit timer with a reload register
 - Timer 2 8-bit timer with a reload register
 - Timer 3 8-bit timer with a reload register
 - Timer 4 8-bit timer with a reload register
- Interrupt 8 sources
- Serial I/O 8 bit-wide
- A-D converter
 - 8-bit successive comparison method X 4ch
- Zero cross detection circuit 1
- Real time output circuit 1
- Watchdog timer 16 bits
- Voltage drop detection circuit 1
- Clock generating circuit 1
- LED drive directly enabled (port D)

APPLICATION

VCR, microwave oven, rice cooker, audio, telephone, office equipment

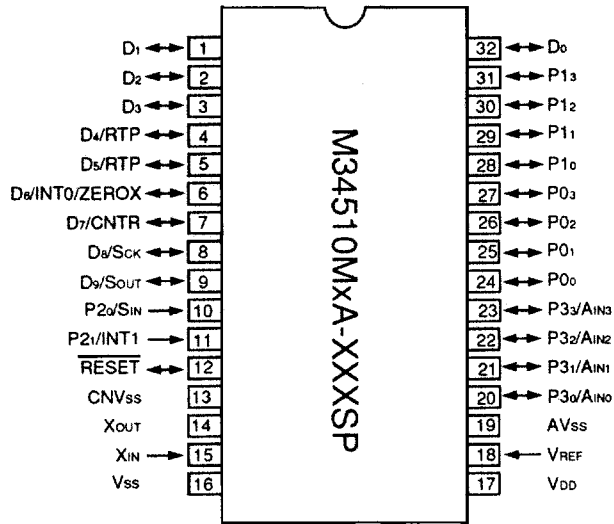
Product	ROM (PROM) size (X 10 bits)	RAM size (X 4 bits)	Package	ROM type
M34510M2A-XXXSP/FP	2048 words	128 words	SP: 32P4B FP: 36P2R-A	Mask ROM
M34510M4A-XXXSP/FP	4096 words	256 words		One Time PROM
M34510E8-XXXSP/FP *	8192 words	384 words	32S1B	One Time PROM
M34510E8SS **				EPROM

*: Shipped after writing (shipped in blank: M34510E8SP/FP)

** : For program development

PIN CONFIGURATION (TOP VIEW)

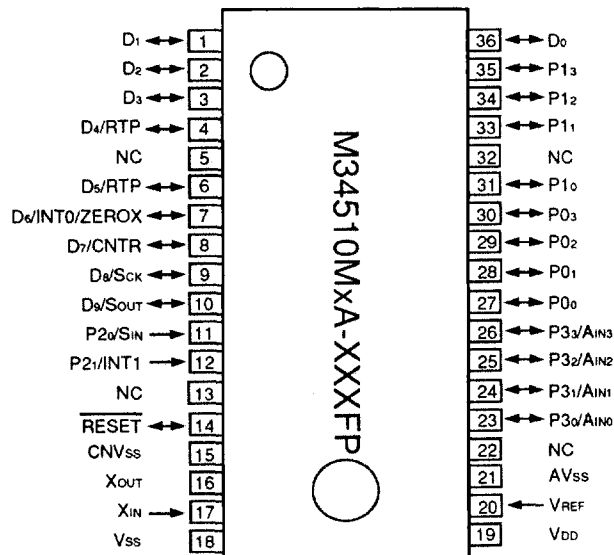
M34510MxA-XXXSP



Outline 32P4B

PIN CONFIGURATION (TOP VIEW)

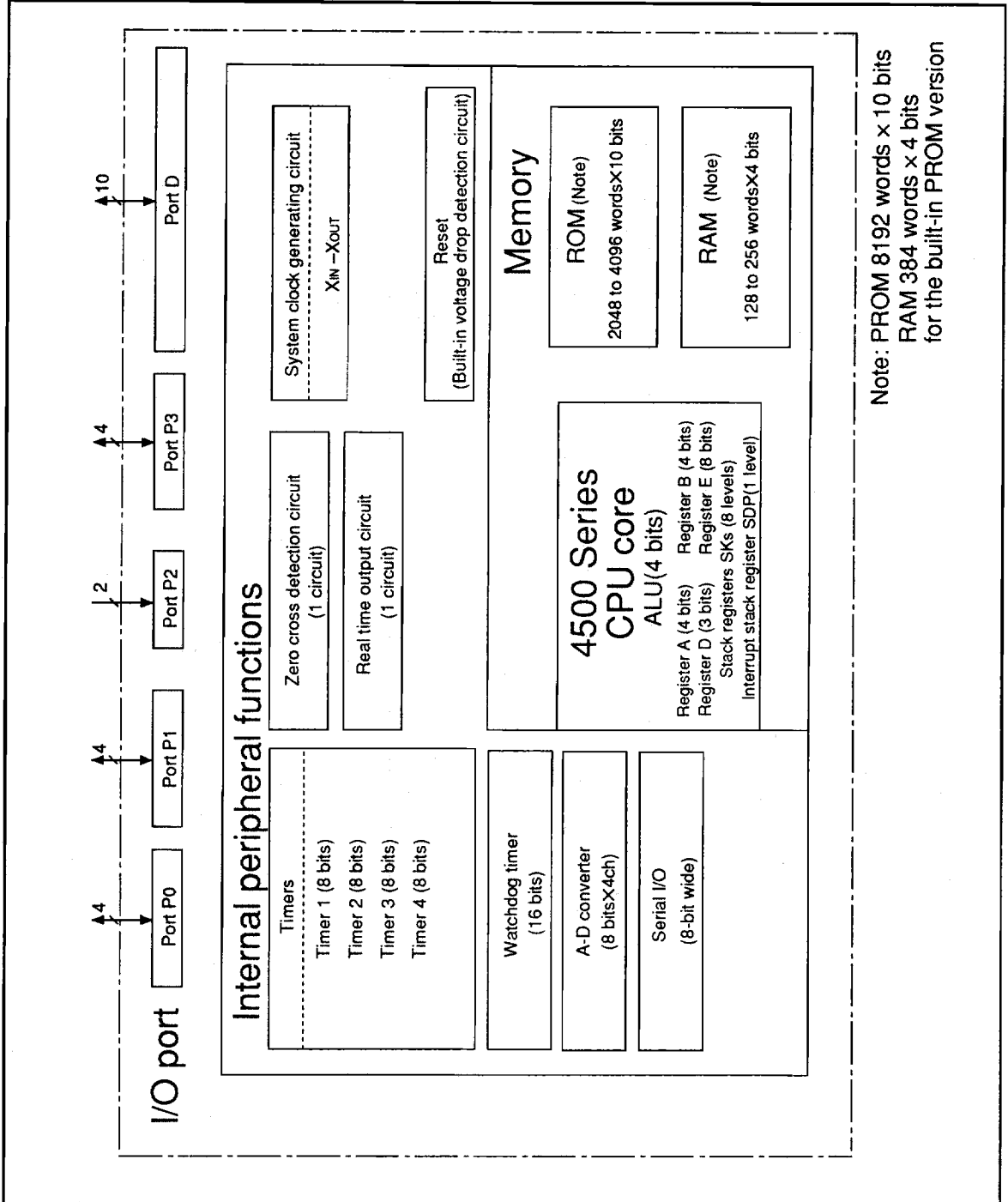
M34510MxA-XXXFP



NC : No connected
(not connected to internal circuit)

Outline 36P2R-A

BLOCK DIAGRAM



Note: PROM 8192 words x 10 bits
 RAM 384 words x 4 bits
 for the built-in PROM version

PERFORMANCE OVERVIEW

Parameter		Function
Number of basic instructions		122
Minimum instruction execution time		0.5 μ s (at 6.0 MHz system clock frequency) (Refer to the electrical characteristics because the minimum instruction execution time depends on the supply voltage.)
Memory sizes	ROM	M34510M2A 2048 words X 10 bits
		M34510M4A 4096 words X 10 bits
		M34510E8 8192 words X 10 bits
	RAM	M34510M2A 128 words X 4 bits
		M34510M4A 256 words X 4 bits
M34510E8 384 words X 4 bits		
Input/Output ports	D ₀ -D ₉	I/O Ten independent I/O ports; ports D ₄ and D ₅ are also used as RTP. Ports D ₆ -D ₉ are also used as INT ₀ , CNTR, Sck, and Sout, respectively.
	P ₀₀ -P ₀₃	I/O 4-bit I/O port; each pin is equipped with a pull-up function and a key-on wakeup function. Both functions can be switched by software.
	P ₁₀ -P ₁₃	I/O 4-bit I/O port; each pin is equipped with a pull-up function and a key-on wakeup function. Both functions can be switched by software.
	P ₂₀ -P ₂₁	Input 2-bit input port; ports P ₂₀ and P ₂₁ are also used as S _{IN} and INT ₁ , respectively.
	P ₃₀ -P ₃₃	I/O 4-bit I/O port; these pins are also used as four analog input pins.
	CNTR	I/O Timer I/O; CNTR pin is also used as port D ₇ .
	INT ₀	Input Interrupt input; INT ₀ pin is also used as port D ₆ and zero cross input pin. INT ₀ pin is equipped with a key-on wakeup function.
	INT ₁	Input Interrupt input; INT ₁ pin is also used as port P ₂₁ .
	RTP	Output Real time output; RTP pins are also used as ports D ₄ and D ₅ .
ZEROX	Input Zero cross input; ZEROX pin is also used as port D ₆ .	
Timers	Timer 1	8-bit programmable timer with a reload register
	Timer 2	8-bit programmable timer with a reload register is also used as an event counter.
	Timer 3	8-bit programmable timer with a reload register
	Timer 4	8-bit programmable timer with a reload register is also used as an event counter.
A-D converter		8 bits X 1; comparator can be used by software.
Serial I/O		8-bit wide
Interrupt	Sources	8 (two for external, four for timer, one for A-D, and one for serial I/O)
	Nesting	1 level
Subroutine nesting		8 levels
Device structure		CMOS silicon gate
Package	M34510MxA-XXXSP	32-pin plastic molded SDIP (32P4B)
	M34510MxA-XXXFP	36-pin plastic molded SSOP (36P2R-A)
Operating temperature range		-20 °C to 85 °C (-20 °C to 70 °C for the built-in EPROM version, M34510E8SS)
Supply voltage		2.0 V to 5.5 V (Refer to the electrical characteristics because the supply voltage depends on the system clock frequency.)
Power dissipation (typical value)	Active mode	4 mA (at 6.0 MHz system clock frequency, V _{DD} = 5 V, output transistors in the cut-off state)
		2 mA (at 1.5 MHz system clock frequency, V _{DD} = 5 V, output transistors in the cut-off state)
RAM back-up mode		0.1 μ A (at room temperature, V _{DD} = 5 V, output transistors in the cut-off state)

PIN DESCRIPTION

Pin	Name	Input/Output	Function
VDD	Power supply	—	Connected to a plus power supply.
VSS	Ground	—	Connected to a 0 V power supply.
CNVSS	CNVSS	—	Connect CNVSS to VSS and apply "L" (0V) to CNVSS certainly.
AVSS	Ground for analog power supply	—	Connected to a 0 V power supply for A-D converter. Connect AVSS to VSS.
VREF	Reference voltage input	—	Reference voltage input pin for the A-D converter.
A _{IN0} –A _{IN3}	Analog input	Input	Analog input pins for A-D converter. A _{IN0} –A _{IN3} are also used as ports P ₃₀ –P ₃₃ .
RESET	Reset I/O	I/O	An N-channel open-drain I/O pin for a system reset. When the watchdog timer causes the system to be reset, the RESET pin outputs "L" level.
X _{IN}	System clock input	Input	I/O pins of the system clock generating circuit. X _{IN} and X _{OUT} can be connected to a ceramic resonator. A feedback resistor is built-in between them.
X _{OUT}	System clock output	Output	
D ₀ –D ₉	I/O port D	I/O	Each pin of port D has an independent 1-bit wide I/O function. Each pin has an output latch. For input use, set the latch of the specified bit to "1." The output structure is N-channel open-drain. Ports D ₄ and D ₅ are also used as RTP. Ports D ₆ –D ₉ are also used as INTO/ZEROX, CNTR, Sck, and Sout, respectively.
P ₀₀ –P ₀₃	I/O port P0	I/O	Each of ports P0 and P1 serves as a 4-bit I/O port, and it can be used as inputs when the output latch is set to "1." The output structure is N-channel open-drain. Every pin of the ports has a key-on wakeup function and a pull-up function. Both functions can be switched by software.
P ₁₀ –P ₁₃	I/O port P1		
P ₂₀ –P ₂₁	Input port P2	Input	2-bit input port. Ports P ₂₀ and P ₂₁ are also used as S _{IN} and INT1, respectively.
P ₃₀ –P ₃₃	I/O port P3	I/O	4-bit I/O port. The output structure is N-channel open-drain. Port P3 is also used as analog input pins.
CNTR	Timer input/output	I/O	CNTR pin has the function to input the clock for the timer 2 and timer 4 event counters, and to output the timer 1 underflow signal divided by 2 or the signal of X _{IN} divided by 2. CNTR pin is also used as port D7.
INT0	Interrupt input	Input	INT0 pin accepts an external interrupt. It also accepts the input signal to return the system from the RAM back-up state. INT0 pin is also used as port D6.
INT1	Interrupt input	Input	INT1 pin accepts an external interrupt. INT1 pin is also used as port P21.
ZEROX	Zero cross input	Input	ZEROX pin is also used as the zero cross input pin by software. ZEROX pin is also used as D6/INT0 pin.
S _{IN}	Serial data input	Input	S _{IN} pin is used to input serial data signals by software. S _{IN} pin is also used as port P20.
S _{OUT}	Serial data output	Output	S _{OUT} pin is used to output serial data signals by software. S _{OUT} pin is also used as port D9.
Sck	Serial I/O clock input/output	I/O	Sck pin is used to input and output synchronous clock signals for serial data transfer by software. Sck pin is also used as port D8.
RTP	Real time output	Output	RTP pins are also used as real time output pins by software. RTP pins are also used as ports D4 and D5, respectively.

MULTIFUNCTION

Pin	Multifunction	Pin	Multifunction
D ₄	RTP	RTP (Note 2)	D ₄
D ₅	RTP	RTP	D ₅
D ₆	INT0/ZEROX	INT0 (Note 2)	D ₆ /ZEROX
D ₇	CNTR	INT1	P ₂₁
D ₈	SCK	Sck (Note 2)	D ₈
D ₉	SOUT	SOUT	D ₉
P ₂₀	SIN	SIN	P ₂₀
P ₂₁	INT1	CNTR (Note 2)	D ₇
P ₃₀	A _{IN0}	A _{IN0} (Note 2)	P ₃₀
P ₃₁	A _{IN1}	A _{IN1}	P ₃₁
P ₃₂	A _{IN2}	A _{IN2}	P ₃₂
P ₃₃	A _{IN3}	A _{IN3}	P ₃₃
		ZEROX (Note 2)	D ₆ /INT0

Notes 1: Pins except above have just single function.

2: The I/O of D₆, the input of D₄, D₅, D₇-D₉, P₂₀ and P₂₁, and the output of P₃₀-P₃₃ can be used even when INT0/ZEROX, RTP, CNTR, Sck, SOUT, SIN, INT1 and A_{IN0}-A_{IN3} are selected.

CONNECTIONS OF UNUSED PINS

Pin	Connection	Pin	Connection
XOUT	Open (when using an external clock)	P ₂₀ /SIN	Connect to V _{SS}
AV _{SS} /V _{REF}	Connect to V _{SS}	P ₂₁ /INT1	
D ₀ -D ₃	Connect to V _{SS} , or set the output latch to "0" and open.	P ₃₀ /A _{IN0} -P ₃₃ /A _{IN3}	Connect to V _{SS} , or set the output latch to "0" and open.
D ₄ /RTP			
D ₅ /RTP		P ₀₀ -P ₀₃	Open or connect to V _{SS} (Note)
D ₆ /INT0/ZEROX		P ₁₀ -P ₁₃	Open or connect to V _{SS} (Note)
D ₇ /CNTR			
D ₈ /SCK			
D ₉ /SOUT			

Note: When the P₀₀-P₀₃ and P₁₀-P₁₃ are connected to V_{SS}, turn off their pull-up transistors (register PU_{0i}="0") and also invalidate the key-on wakeup functions (register K_{0i}="0") by software. When these pins are connected to V_{SS} while the key-on wakeup functions are left valid, the system fails to return from RAM back-up state. When these pins are open, turn on their pull-up transistors (register PU_{0i}="1") by software, or set the output latch to "0."

Be sure to select the key-on wakeup functions and the pull-up functions with every two pins. If only one of the two pins for the key-on wakeup function is used, turn on their pull-up transistors by software and also disconnect the other pin. (i = 0, 1, 2, or 3.)

(Note when the output latch is set to "0" and pins are open)

•After system is released from reset, port is in a high-impedance state until it is set the output latch to "0" by software. Accordingly, the voltage level of pins is undefined and the excess of the supply current may occur while the port is in a high-impedance state.

•To set the output latch periodically by software is recommended because value of output latch may change by noise or a program run away (caused by noise).

(Note when connecting to V_{SS} and V_{DD})

•Connect the unused pins to V_{SS} or V_{DD} using the thickest wire at the shortest distance against noise.

PORT FUNCTION

Port	Pin	Input/ Output	Output structure	Control bits	Control instructions	Control registers	Remark	
Port D	D ₀ -D ₃	I/O (10)	N-channel open-drain	1	SD			
	D ₄ /RTP				RD	RTR		
	D ₅ /RTP				SZD	RTR		
	D ₆ /INT0/ZEROX				CLD	I1		Key-on wakeup function
	D ₇ /CNTR				SNZ10	W6		
	D ₈ /Sck				(Note 1)	J1		
D ₉ /Sout		J1						
Port P0	P0 ₀ -P0 ₃	I/O (4)	N-channel open-drain	4	OP0A IAP0	PU0 K0	Built-in programmable pull-up functions Key-on wakeup functions (programmable)	
Port P1	P1 ₀ -P1 ₃	I/O (4)	N-channel open-drain	4	OP1A IAP1	PU0 K0	Built-in programmable pull-up functions Key-on wakeup functions (programmable)	
Port P2	P2 ₀ /S _{IN} P2 ₁ /INT1	Input (2)		2	IAP2 SNZI1 (Note 2)			
Port P3	P3 ₀ /A _{IN0} P3 ₁ /A _{IN1} P3 ₂ /A _{IN2} P3 ₃ /A _{IN3}	I/O (4)	N-channel open-drain	4	IAP3 OP3A	Q2		

Notes 1: Level of the D₆/INT0 pin can be examined with the SNZI0 instruction.

2: Level of the P2₁/INT1 pin can be examined with the SNZI1 instruction.

DEFINITION OF CLOCK AND CYCLE

●System clock

This is the source clock input to the X_{IN} pin. Either the clock obtained by connecting an oscillator between the X_{IN} and X_{OUT} pins, or the external clock supplied through the X_{IN} pin can be specified.

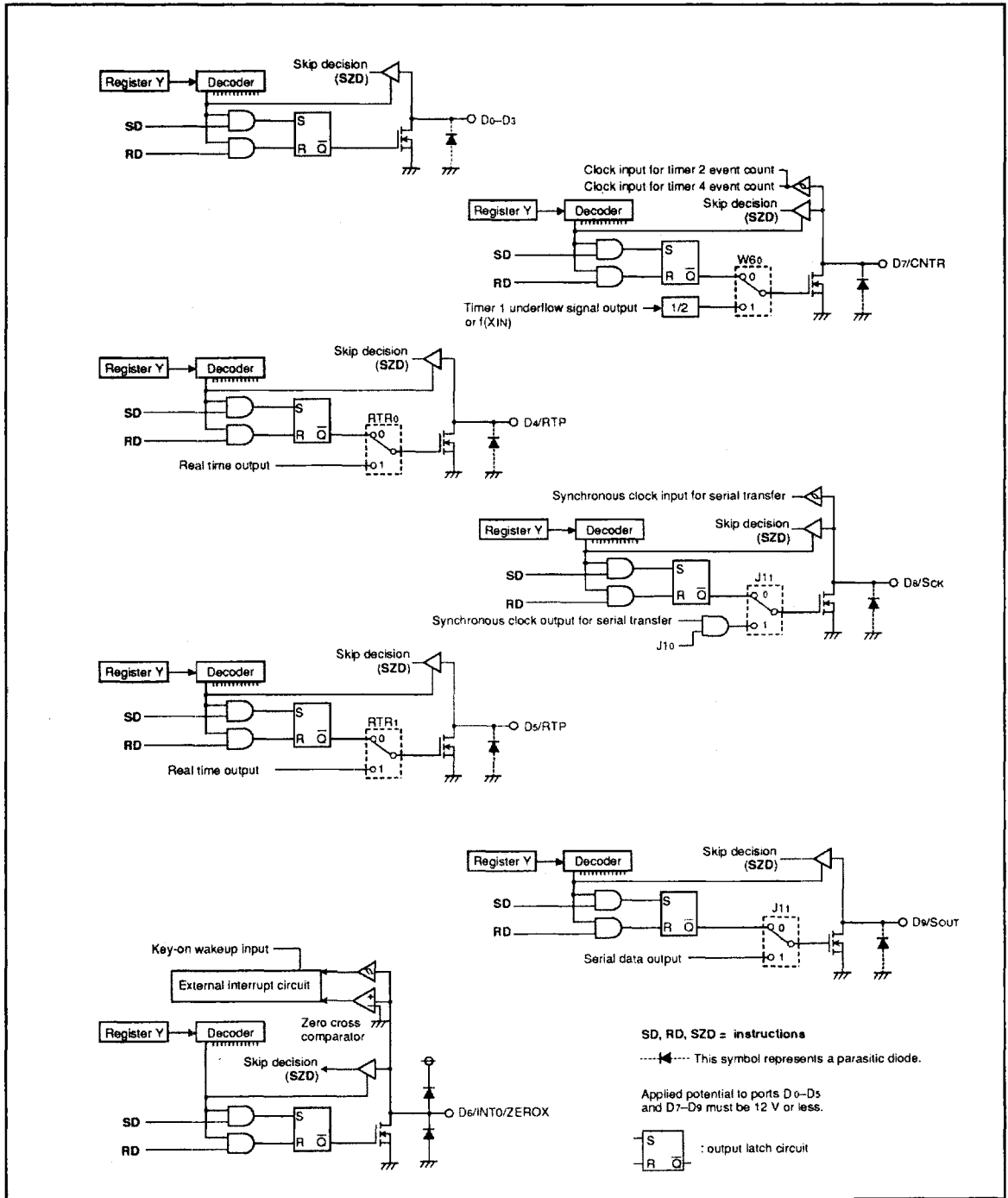
●Instruction clock

The instruction clock is a signal derived by dividing the system clock by 3, and is the basic clock for controlling this product.

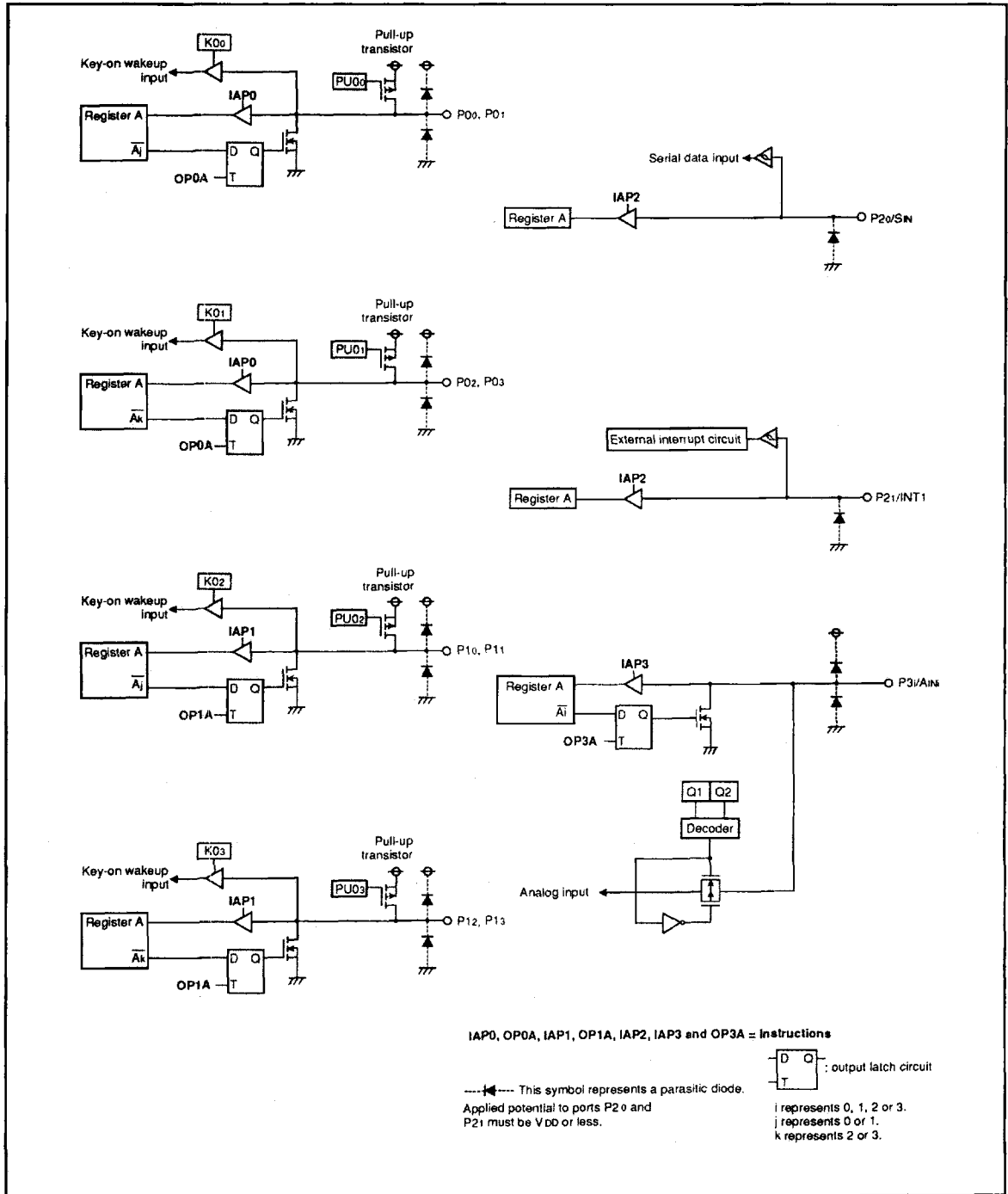
●Machine cycle

One machine cycle is the time required to execute the minimum instruction (one-cycle instruction). The machine cycle is equivalent to the instruction clock cycle.

PORT BLOCK DIAGRAMS



PORT BLOCK DIAGRAMS (continued)



FUNCTION BLOCK OPERATIONS
CPU

(1) Arithmetic logic unit (ALU)

The arithmetic logic unit ALU performs 4-bit arithmetic such as 4-bit data addition, comparison, AND operation, OR operation, and bit manipulation.

(2) Register A and carry flag

Register A is a 4-bit register used for arithmetic, transfer, exchange, and I/O operation.

Carry flag CY is a 1-bit flag that is set to "1" when there is a carry with the AMC instruction (Figure 1).

It is unchanged with both A n instruction and AM instruction. The value of A₀ is stored in carry flag CY with the RAR instruction (Figure 2).

Carry flag CY can be set to "1" with the SC instruction and cleared to "0" with the RC instruction.

(3) Registers B and E

Register B is a 4-bit register used for temporary storage of 4-bit data, and for 8-bit data transfer together with register A.

Register E is an 8-bit register. It can be used for 8-bit data transfer with register B used as the high-order 4 bits and register A as the low-order 4 bits (Figure 3).

(4) Register D

Register D is a 3-bit register.

It is used to store a 7-bit ROM address together with register A and is used as a pointer within the specified page when the TABP p, BLA p, or BMLA p instruction is executed (Figure 4).

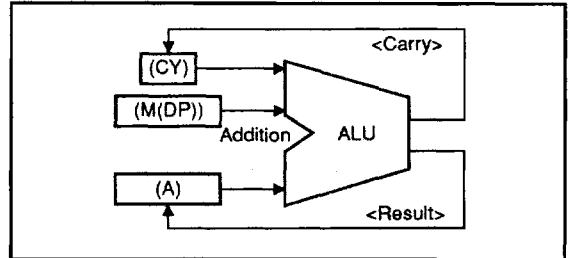


Fig. 1 AMC instruction execution example

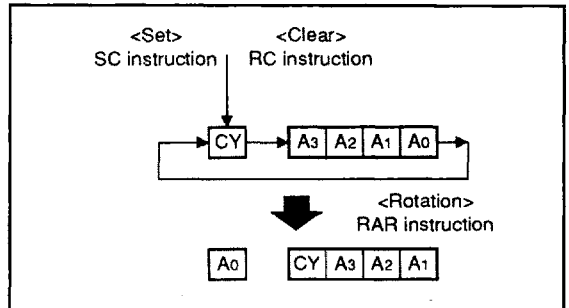


Fig. 2 RAR instruction execution example

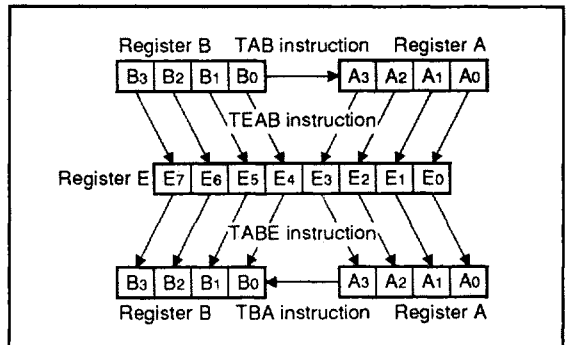


Fig. 3 Registers A, B and register E

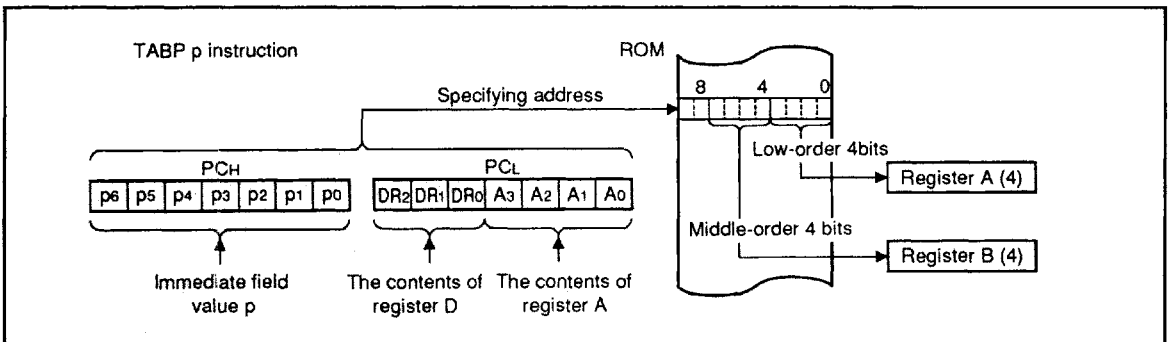


Fig. 4 TABP p instruction execution example

(5) Stack registers (SKs) and stack pointer (SP)

Stack registers (SKs) are used to temporarily store the contents of program counter (PC) just before branching until returning to the original routine when;

- branching to an interrupt service routine (referred to as an interrupt service routine),
- performing a subroutine call, or
- executing the table reference instruction (TABP p).

Stack registers (SKs) are eight identical registers, so that subroutines can be nested up to 8 levels. However, one of stack registers is used respectively when using an interrupt service routine and when executing a table reference instruction. Accordingly, be careful not to over the stack when performing these operations together. The contents of registers SKs are destroyed when 8 levels are exceeded.

The register SK nesting level is pointed automatically by 3-bit stack pointer (SP). The contents of the stack pointer (SP) can be transferred to register A with the TASP instruction.

Figure 5 shows the stack registers (SKs) structure.

Figure 6 shows the example of operation at subroutine call.

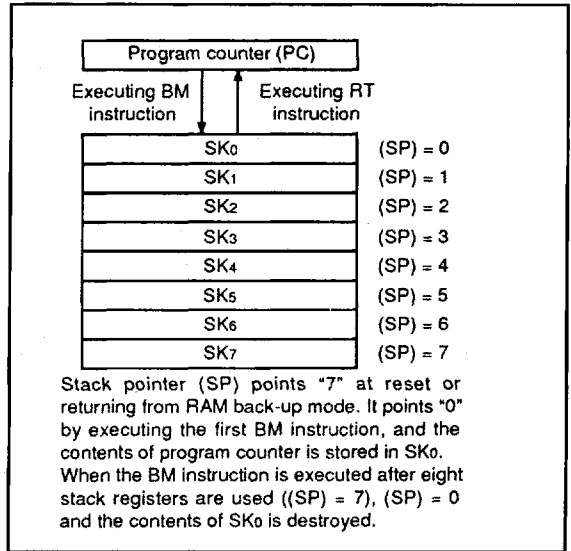


Fig. 5 Stack registers (SKs) structure

(6) Interrupt stack register (SDP)

Interrupt stack register (SDP) is a 1-stage register. When an interrupt occurs, this register (SDP) is used to temporarily store the contents of data pointer, carry flag, skip flag, register A, and register B just before an interrupt until returning to the original routine.

Unlike the stack registers (SKs), this register (SDP) is not used when executing the subroutine call instruction and the table reference instruction.

(7) Skip flag

Skip flag controls skip decision for the conditional skip instructions and continuous described skip instructions. When an interrupt occurs, the contents of skip flag is stored automatically in the interrupt stack register (SDP) and the skip condition is retained.

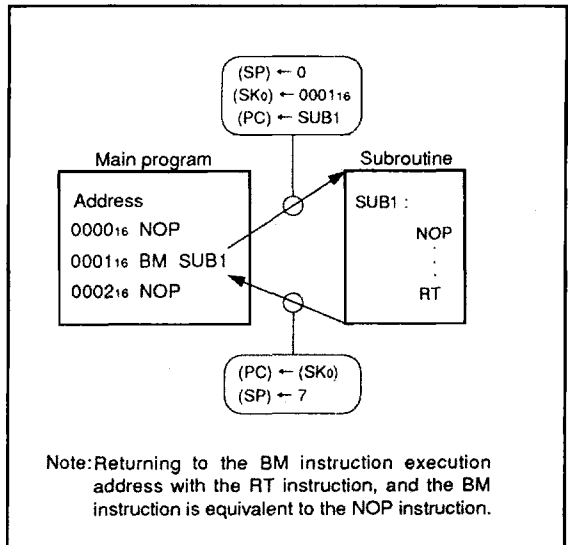


Fig. 6 Example of operation at subroutine call

(8) Program counter (PC)

Program counter (PC) is used to specify a ROM address (page and address). It determines a sequence in which instructions stored in ROM are read. It is a binary counter that increments the number of instruction bytes each time an instruction is executed. However, the value changes to a specified address when branch instructions, subroutine call instructions, return instructions, or the table reference instruction (TABP p) is executed. Program counter consists of PCH (most significant bit to bit 7) which specifies to a ROM page and PCL (bits 6 to 0) which specifies an address within a page. After it reaches the last address (address 127) of a page, it specifies address 0 of the next page (Figure 7). Make sure that the PCH does not specify after the last page of the built-in ROM.

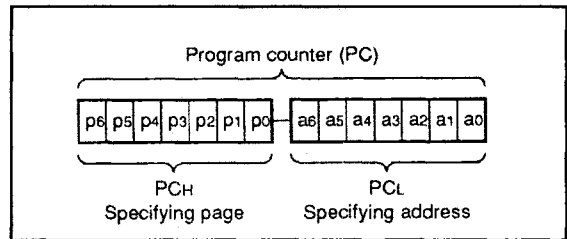


Fig. 7 Program counter (PC) structure

(9) Data pointer (DP)

Data pointer (DP) is used to specify a RAM address and consists of registers Z, X, and Y. Register Z specifies a RAM file group, register X specifies a file, and register Y specifies a RAM digit (Figure 8). Register Y is also used to specify the port D bit position. When using port D, set the port D bit position to register Y certainly and execute the SD, RD, or SZD instruction (Figure 9).

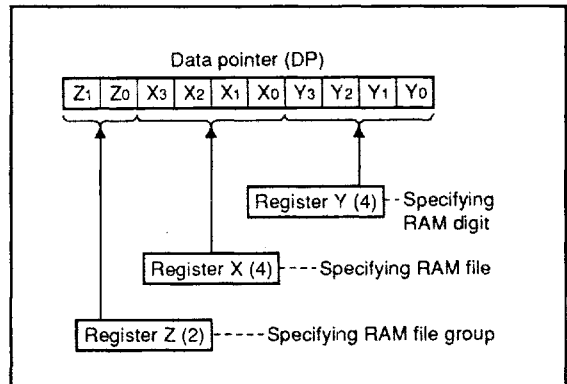


Fig. 8 Data pointer (DP) structure

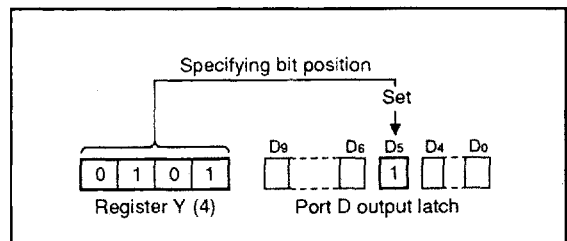


Fig. 9 SD instruction execution example

PROGRAM MEMORY (ROM)

The program memory is a mask ROM. 1 word of ROM is composed of 10 bits. ROM is separated every 128 words by the unit of page (addresses 0 to 127). Table 1 shows the ROM size and pages. Figure 10 shows the ROM map of M34510E8.

Table 1 ROM size and pages

Product	ROM size (X 10 bits)	Pages
M34510M2A	2048 words	16 (0 to 15)
M34510M4A	4096 words	32 (0 to 31)
M34510E8	8192 words	64 (0 to 63)

A part of page 1 (addresses 0080₁₆ to 00FF₁₆) is reserved for interrupt addresses (Figure 11). When an interrupt occurs, the address (interrupt address) corresponding to each interrupt is set in the program counter, and the instruction at the interrupt address is executed. When using an interrupt service routine, write the instruction generating the branch to that routine at an interrupt address.

Page 2 (addresses 0100₁₆ to 017F₁₆) is the special page for subroutine calls. Subroutines written in this page can be called from any page with the 1-word instruction (BM). Subroutines extending from page 2 to another page can also be called with the BM instruction when it starts on page 2. ROM pattern (bits 7 to 0) of all addresses can be used as data areas with the TABP p instruction.

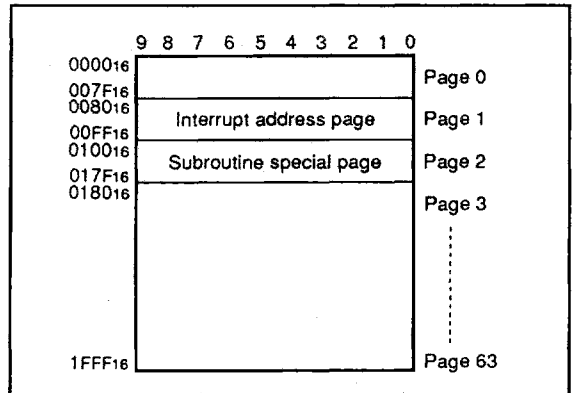


Fig. 10 ROM map of M34510E8

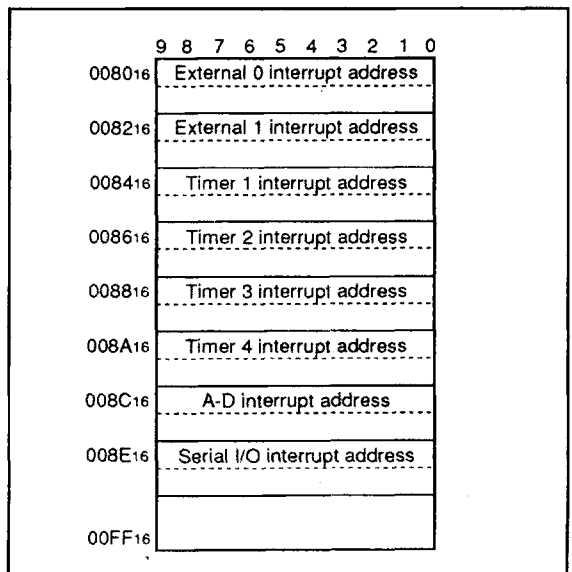


Fig. 11 Page 1 (addresses 0080₁₆ to 00FF₁₆) structure

DATA MEMORY (RAM)

1 word of RAM is composed of 4 bits, but 1-bit manipulation (with the SB j, RB j, and SZB j instructions) is enabled for the entire memory area. A RAM address is specified by a data pointer. The data pointer consists of registers Z, X, and Y. Set a value to the data pointer certainly when executing an instruction to access RAM.

Table 2 shows the RAM size. Figure 12 shows the RAM map.

Table 2 RAM size

Product	RAM size
M34510M2A	128 words X 4 bits (512 bits)
M34510M4A	256 words X 4 bits (1024 bits)
M34510E8	384 words X 4 bits (1536 bits)

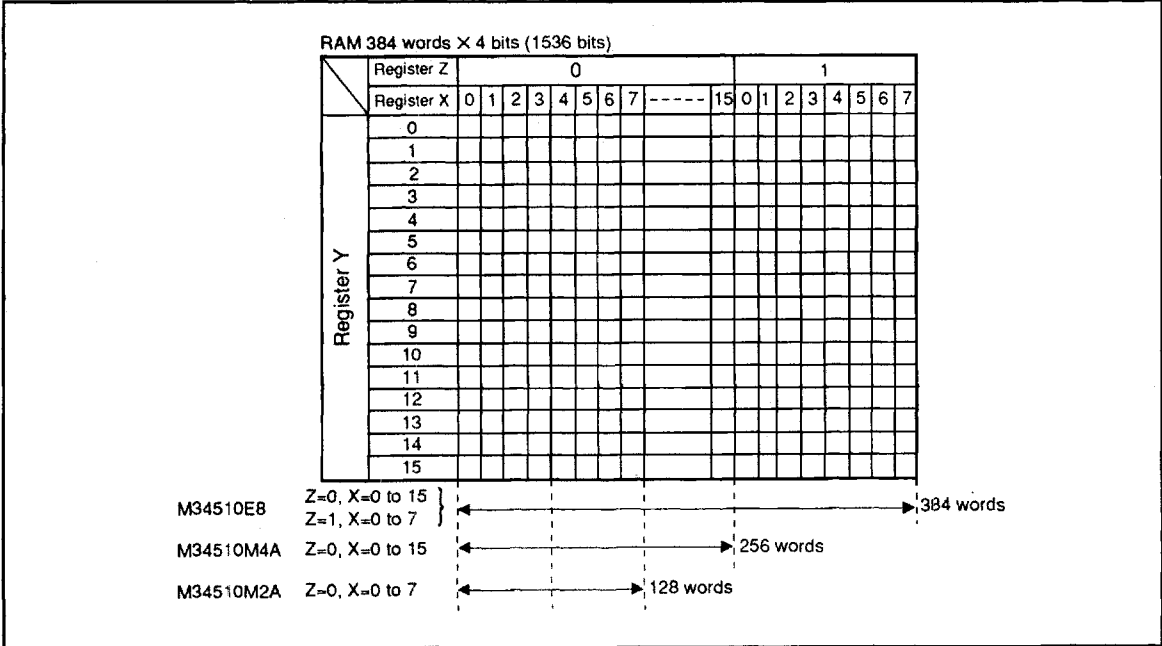


Fig. 12 RAM map

INTERRUPT FUNCTION

The interrupt type is a vectored interrupt branching to an individual address (interrupt address) according to each interrupt source. An interrupt occurs when the following 3 conditions are satisfied.

- An interrupt activated condition is satisfied (request flag = "1")
- Interrupt enable bit is enabled ("1")
- Interrupt enable flag is enabled (INTE = "1")

Table 3 shows interrupt sources. (Refer to each interrupt request flag for details of activated conditions.)

(1) Interrupt enable flag (INTE)

The interrupt enable flag (INTE) controls whether the every interrupt enable/disable. Interrupts are enabled when INTE flag is set to "1" with the EI instruction and disabled when INTE flag is cleared to "0" with the DI instruction. When any interrupt occurs, the INTE flag is automatically cleared to "0," so that other interrupts are disabled until the EI instruction is executed.

(2) Interrupt enable bit

Use an interrupt enable bit of interrupt control registers V1 and V2 to select the corresponding interrupt or skip instruction.

Table 4 shows the interrupt request flag, interrupt enable bit and skip instruction.

Table 5 shows the interrupt enable bit function.

(3) Interrupt request flag

When the activated condition for each interrupt is satisfied, the corresponding interrupt request flag is set to "1." Each interrupt request flag is cleared to "0" when either;

- an interrupt occurs, or
- the next instruction is skipped with a skip instruction.

Each interrupt request flag is set when the activated condition is satisfied even if the interrupt is disabled by the INTE flag or its interrupt enable bit. Once set, the interrupt request flag retains set until a clear condition is satisfied.

Accordingly, an interrupt occurs when the interrupt disable state is released while the interrupt request flag is set.

If more than one interrupt request flag is set when the interrupt disable state is released, the interrupt priority level is as follows shown in Table 3.

Table 3 Interrupt sources

Priority level	Interrupt name	Activated condition	Interrupt address
1	External 0 interrupt	Level change of INTO pin	Address 0 in page 1
2	External 1 interrupt	Level change of INT1 pin	Address 2 in page 1
3	Timer 1 interrupt	Timer 1 underflow	Address 4 in page 1
4	Timer 2 interrupt	Timer 2 underflow	Address 6 in page 1
5	Timer 3 interrupt	Timer 3 underflow	Address 8 in page 1
6	Timer 4 interrupt	Timer 4 underflow	Address A in page 1
7	A-D interrupt	Completion of A-D conversion	Address C in page 1
8	Serial I/O interrupt	Completion of serial I/O transfer	Address E in page 1

Table 4 Interrupt request flag, interrupt enable bit and skip instruction

Interrupt name	Request flag	Skip instruction	Enable bit
External 0 interrupt	EXF0	SNZ0	V10
External 1 interrupt	EXF1	SNZ1	V11
Timer 1 interrupt	T1F	SNZT1	V12
Timer 2 interrupt	T2F	SNZT2	V13
Timer 3 interrupt	T3F	SNZT3	V20
Timer 4 interrupt	T4F	SNZT4	V21
A-D interrupt	ADF	SNZAD	V22
Serial I/O interrupt	SIOF	SNZSI	V23

Table 5 Interrupt enable bit function

Interrupt enable bit	Occurrence of interrupt	Skip instruction
1	Enabled	Invalid
0	Disabled	Valid

(4) Internal state during an interrupt

The internal state of the microcomputer during an interrupt is as follows (Figure 14).

- Program counter (PC)
An interrupt address is set in program counter. The address to be executed when returning to the main routine is automatically stored in the stack register (SK).
- Interrupt enable flag (INTE)
INTE flag is cleared to "0" so that interrupts are disabled.
- Interrupt request flag
Only the request flag for the current interrupt source is cleared to "0."
- Data pointer, carry flag, skip flag, registers A and B
The contents of these registers and flags are stored automatically in the interrupt stack register (SDP).

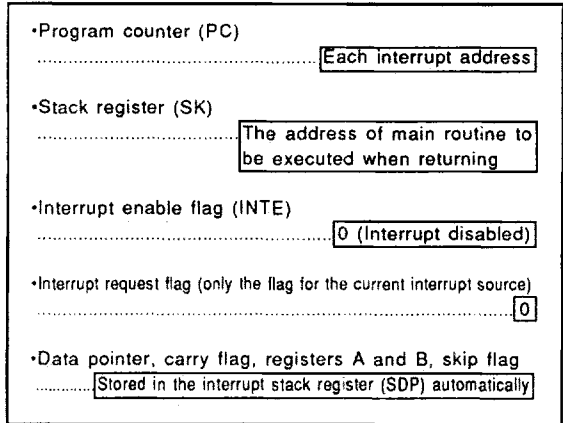


Fig. 14 Internal state when interrupt occurs

(5) Interrupt processing

When an interrupt occurs, a program at an interrupt address is executed after branching a data store sequence to stack register. Write the branch instruction to an interrupt service routine at an interrupt address. Use the RTI instruction to return from an interrupt service routine.

Interrupt enabled by executing the EI instruction is performed after executing 1 instruction (just after the next instruction is executed). Accordingly, when the EI instruction is executed just before the RTI instruction, interrupts are enabled after returning the main routine. (Refer to Figure 13)

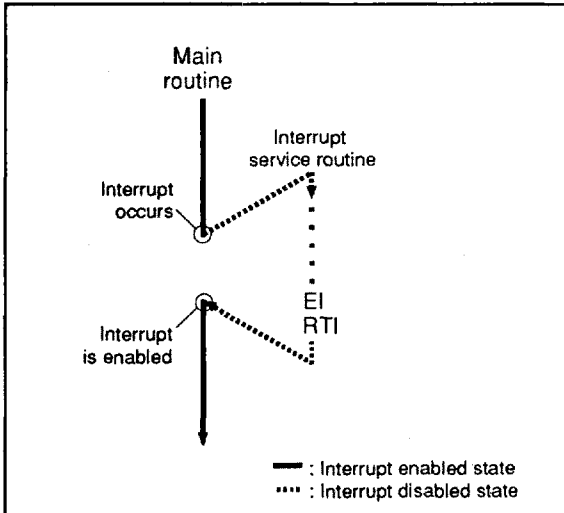


Fig. 13 Program example of interrupt processing

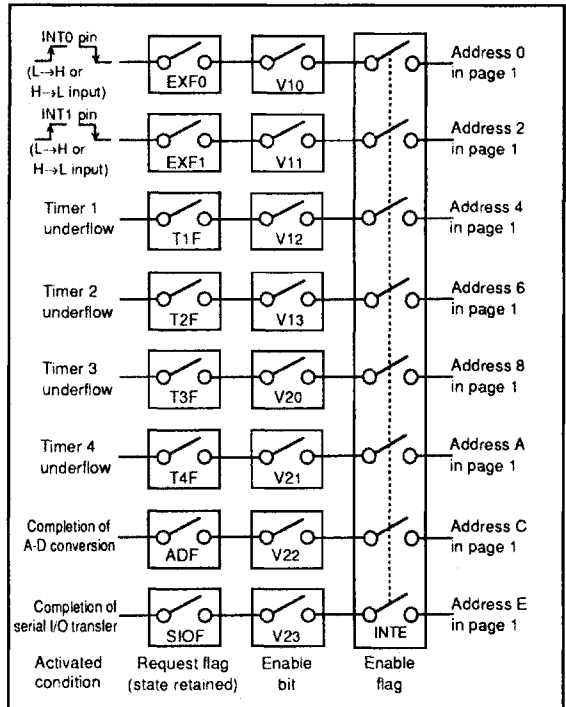


Fig. 15 Interrupt system diagram

(6) Interrupt control registers

• Interrupt control register V1

Interrupt enable bits of external 0, external 1, timer 1 and timer 2 are assigned to register V1. Set the contents of this register through register A with the TV1A instruction. The TAV1 instruction can be used to transfer the contents of register V1 to register A.

• Interrupt control register V2

Interrupt enable bits of timer 3, timer 4, A-D and serial I/O are assigned to register V2. Set the contents of this register through register A with the TV2A instruction. The TAV2 instruction can be used to transfer the contents of register V2 to register A.

Table 6 Interrupt control registers

Interrupt control register V1		at reset : 0000 ₂	at RAM back-up : 0000 ₂	R/W
V1 ₃	Timer 2 interrupt enable bit	0	Interrupt disabled (SNZT2 instruction is valid)	
		1	Interrupt enabled (SNZT2 instruction is invalid)	
V1 ₂	Timer 1 interrupt enable bit	0	Interrupt disabled (SNZT1 instruction is valid)	
		1	Interrupt enabled (SNZT1 instruction is invalid)	
V1 ₁	External 1 interrupt enable bit	0	Interrupt disabled (SNZ1 instruction is valid)	
		1	Interrupt enabled (SNZ1 instruction is invalid)	
V1 ₀	External 0 interrupt enable bit	0	Interrupt disabled (SNZ0 instruction is valid)	
		1	Interrupt enabled (SNZ0 instruction is invalid)	
Interrupt control register V2		at reset : 0000 ₂	at RAM back-up : 0000 ₂	R/W
V2 ₃	Serial I/O interrupt enable bit	0	Interrupt disabled (SNZSI instruction is valid)	
		1	Interrupt enabled (SNZSI instruction is invalid)	
V2 ₂	A-D interrupt enable bit	0	Interrupt disabled (SNZAD instruction is valid)	
		1	Interrupt enabled (SNZAD instruction is invalid)	
V2 ₁	Timer 4 interrupt enable bit	0	Interrupt disabled (SNZT4 instruction is valid)	
		1	Interrupt enabled (SNZT4 instruction is invalid)	
V2 ₀	Timer 3 interrupt enable bit	0	Interrupt disabled (SNZT3 instruction is valid)	
		1	Interrupt enabled (SNZT3 instruction is invalid)	

Note: "R" represents read enabled, and "W" represents write enabled.

(7) Interrupt sequence

Interrupts only occur when the respective INTE flag, interrupt enable bits (V10-V13 and V20-V23), and interrupt request flag are "1." The interrupt actually occurs 2 to 3 machine cycles after the cycle in which all three

conditions are satisfied. The interrupt occurs after 3 machine cycles only when the three interrupt conditions are satisfied on execution of other than one-cycle instructions (Refer to Figure 16).

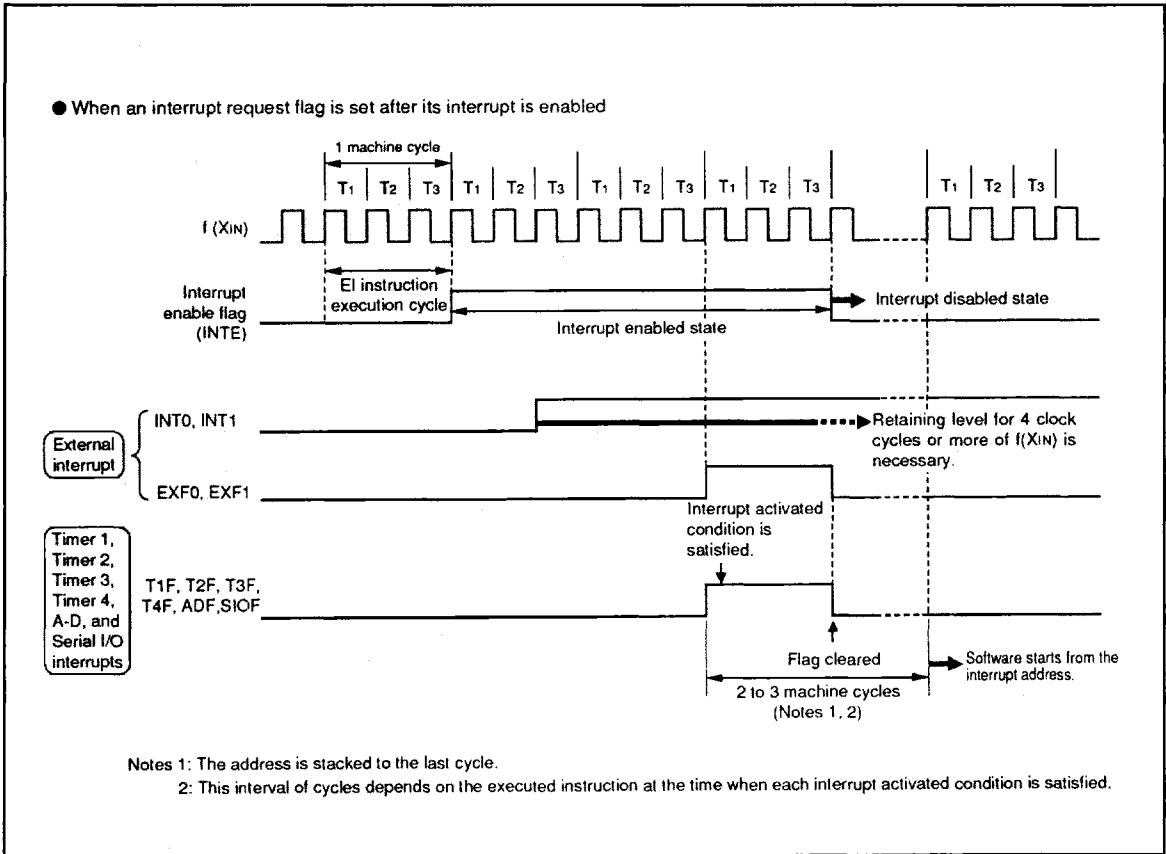


Fig. 16 Interrupt sequence



EXTERNAL INTERRUPTS

The 4510 Group has two external interrupts (external 0 and external 1). An external interrupt request occurs when a valid waveform is input to an interrupt input pin (edge detection).

External 0 interrupt is equipped with a noise elimination circuit and a zero cross detection circuit. The zero cross detection circuit detects the point when the voltage level of an alternating waveform passes 0 V. The external interrupts can be controlled with the interrupt control registers I1 and I2.

Table 7 External interrupt activated conditions

Name	Input pin	Activated condition	Valid waveform selection bit
External 0 interrupt	D6/INT0/ZEROX	When the next waveform is input to D6/INT0/ZEROX pin • Falling waveform ("H"→"L") • Rising waveform ("L"→"H") • Both rising and falling waveforms	I11 I12
External 1 interrupt	P21/INT1	When the next waveform is input to P21/INT1 pin • Falling waveform ("H"→"L") • Rising waveform ("L"→"H")	I23

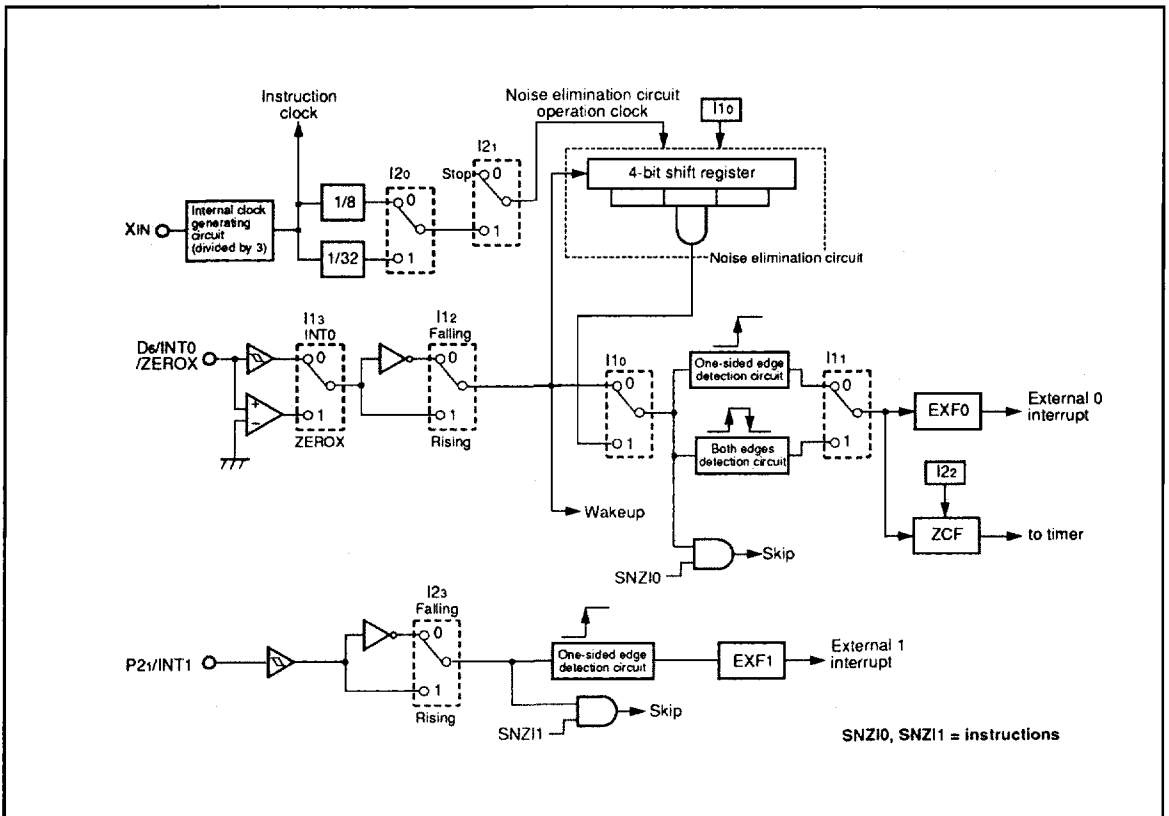


Fig. 17 External interrupt circuit structure

(1) External 0 interrupt request flag (EXF0)

External 0 interrupt request flag (EXF0) is set to "1" when a valid waveform is input to D₆/INT0/ZEROX pin. External 0 interrupt is equipped with a noise elimination circuit and a zero cross detection circuit. The valid waveforms causing the interrupt must be retained at their level for 4 clock cycles or more of the system clock (Refer to Figure 16).

The state of EXF0 flag can be examined with the skip instruction (SNZ0). Use the interrupt control register V1 to select the interrupt or the skip instruction. The EXF0 flag is cleared to "0" when an interrupt occurs or when the next instruction is skipped with the skip instruction.

The D₆/INT0/ZEROX pin need not be selected the external interrupt input INT0 function or the normal I/O port D₆ function. However, the EXF0 flag is set to "1" when a valid waveform is input even if it is used as an I/O port D₆.

- External 0 interrupt activated condition

External 0 interrupt activated condition is satisfied when a valid waveform is input to D₆/INT0/ZEROX pin.

The valid waveform can be selected from rising waveform, falling waveform or both rising and falling waveforms. An example of how to use the external 0 interrupt is as follows.

- ① Clear the bits 0 and 3 of register I1 to "0," and select the valid waveform with the bits 1 and 2 of register I1.
- ② Clear the EXF0 flag to "0" with the SNZ0 instruction.
- ③ Set the NOP instruction for the case when a skip is performed with the SNZ0 instruction.
- ④ Set both the external 0 interrupt enable bit (V1₀) and the INTE flag to "1."

The external 0 interrupt is now enabled. Now when a valid waveform is input to the D₆/INT0/ZEROX pin, the EXF0 flag is set to "1" and the external 0 interrupt occurs.

(2) External 1 interrupt request flag (EXF1)

External 1 interrupt request flag (EXF1) is set to "1" when a valid waveform is input to P2₁/INT1 pin.

The valid waveforms causing the interrupt must be retained at their level for 4 clock cycles or more of the system clock (Refer to Figure 16).

The state of EXF1 flag can be examined with the skip instruction (SNZ1). Use the interrupt control register V1 to select the interrupt or the skip instruction. The EXF1 flag is cleared to "0" when an interrupt occurs or when the next instruction is skipped with the skip instruction.

The P2₁/INT1 pin need not be selected the external interrupt input INT1 function or the normal input port P2₁ function. However, the EXF1 flag is set to "1" when a valid waveform is input even if it is used as an input port P2₁.

- External 1 interrupt activated condition

External 1 interrupt activated condition is satisfied when a valid waveform is input to P2₁/INT1 pin.

The valid waveform can be selected from rising waveform or falling waveform. An example of how to use the external 1 interrupt is as follows.

- ① Select the valid waveform with the bit 3 of register I2.
- ② Clear the EXF1 flag to "0" with the SNZ1 instruction.
- ③ Set the NOP instruction for the case when a skip is performed with the SNZ1 instruction.
- ④ Set both the external 1 interrupt enable bit (V1₁) and the INTE flag to "1."

The external 1 interrupt is now enabled. Now when a valid waveform is input to the P2₁/INT1 pin, the EXF1 flag is set to "1" and the external 1 interrupt occurs.

(3) External interrupt control registers

● Interrupt control register I1

Register I1 controls the noise elimination circuit, valid waveform for the external 0 interrupt, return level (valid level of wakeup signal) from the RAM back-up mode, and D₆/INT0/ZEROX pin function. Set the contents of this register through register A with the TI1A instruction. The TAI1 instruction can be used to transfer the contents of register I1 to register A.

● Interrupt control register I2

Register I2 controls the sampling clock of noise elimination circuit, valid waveform for the external 1 interrupt, set/clear of zero cross input flag. Set the contents of this register through register A with the TI2A instruction. The TAI2 instruction can be used to transfer the contents of register I2 to register A.

Table 8 External interrupt control registers

Interrupt control register I1		at reset : 0000 ₂	at RAM back-up : state retained	R/W
I1 ₃	D ₆ /INT0/ZEROX pin function selection bit	0	INT0/D ₆ (input/output)	
		1	ZEROX/D ₆ (input/output)	
I1 ₂	Interrupt valid waveform for INT0 pin/return level selection bit (Note 2)	0	Falling waveform ("L" level of INT0 pin is recognized with the SNZ10 instruction)/"L" level	
		1	Rising waveform ("H" level of INT0 pin is recognized with the SNZ10 instruction)/"H" level	
I1 ₁	Edge detection circuit control bit	0	One-sided edge detected	
		1	Both edges detected	
I1 ₀	Noise elimination circuit control bit	0	Disabled	
		1	Enabled	
Interrupt control register I2		at reset : 0000 ₂	at RAM back-up : state retained	R/W
I2 ₃	Interrupt valid waveform for INT1 pin selection bit (Note 2)	0	Falling waveform ("L" level of INT1 pin is recognized with the SNZ11 instruction.)	
		1	Rising waveform ("H" level of INT1 pin is recognized with the SNZ11 instruction.)	
I2 ₂	Zero cross input flag control bit	0	Zero cross input flag cleared (set impossible)	
		1	Zero cross input flag set possible	
I2 ₁	Noise elimination circuit sampling clock control bit	0	Stop	
		1	Operating	
I2 ₀	Noise elimination circuit sampling clock selection bit	0	Instruction clock divided by 8	
		1	Instruction clock divided by 32	

Notes 1: "R" represents read enabled, and "W" represents write enabled.

2: When the contents of I1₂ and I2₃ are changed, the external interrupt request flags EXF0 and EXF1 may be set, respectively. Accordingly, clear the EXF0 and EXF1 flags to "0" with the SNZ0 and SNZ1 instructions, respectively.

(4) Noise elimination circuit

External 0 interrupt is equipped with a noise elimination circuit. This noise elimination circuit takes sampling four times with the noise elimination circuit sampling clock which is the instruction clock divided by 8 or 32 when the level of external 0 interrupt input is changed. As a result, if values of the noise elimination circuit 4-bit shift register become "1111" or "0000," the output of the noise elimination circuit changes "1" or "0," respectively. An example of how to use the noise elimination circuit is as follows.

- ① Set the bit 0 of register I1 to "1," select the valid waveform (= valid edge) with the bits 1 and 2 of register I1, and select the pin function with the bit 3 of register I1.

- ② Clear the EXF0 flag to "0" with the SNZ0 instruction.
- ③ Set the NOP instruction for the case when a skip is performed with the SNZ0 instruction.
- ④ Set both the external 0 interrupt enable bit (V10) and the INTE flag to "1."
- ⑤ Select the sampling clock of the noise elimination circuit with the bit 0 of register I2, and set the bit 1 of register I2 to "1."

The external 0 interrupt is now enabled. Now when a valid waveform is input to the D₆/INT0/ZEROX pin, the EXF0 flag is set to "1" and the external 0 interrupt occurs.

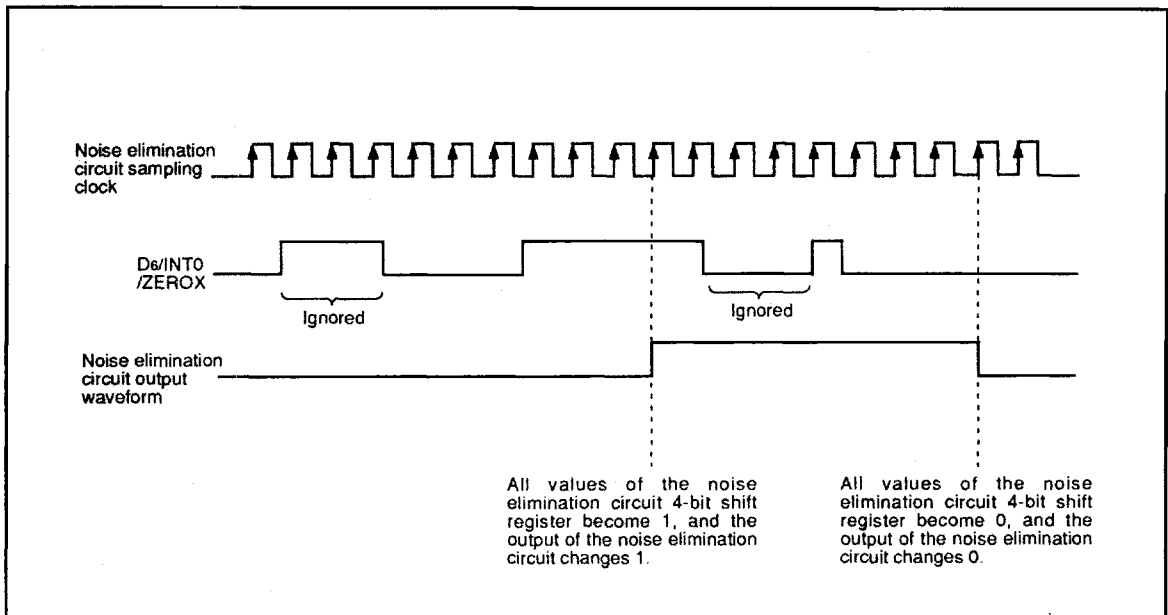


Fig. 18 Noise elimination circuit operation

ZERO CROSS DETECTION CIRCUIT

External 0 interrupt is equipped with a zero cross detection circuit which is used to detect the point when the voltage level of an alternating waveform passes 0 V (zero cross). Zero cross point to be detected can be selected when changing from minus to plus, plus to minus, or both.

The zero cross detection circuit can be used together with the noise elimination circuit.

In addition, the zero cross point which is detected by the zero cross detection circuit can be used as the start trigger for the timer 3 count operation (Refer to the zero cross input flag).

An example of how to use the zero cross detection circuit is as follows.

- ① Set the bit 3 of register I1 to "1" and select the valid waveform (= zero cross point to be detected) with bits 1 and 2.
- ② Clear the EXF0 flag to "0" with the SNZ0 instruction.
- ③ Set the NOP instruction for the case when a skip is performed with the SNZ0 instruction.
- ④ Set both the external 0 interrupt enable bit (V10) and the INTE flag to "1."

The external 0 interrupt is now enabled. Now when an alternating waveform is input to the D6/INT0/ZEROX pin, zero cross point is detected, the EXF0 flag is set to "1," and the

external 0 interrupt occurs.

The interval from zero cross is detected until program at the interrupt address is executed is 4 to 5 machine cycles (the delay time is added when using the noise elimination circuit).

(1) Zero cross input flag (ZCF)

The zero cross input flag (ZCF) is used to start timer 3 count operation by the zero cross point which is detected with the zero cross detection circuit.

The ZCF flag is set to "1" when the voltage level of an alternating waveform input to the D6/INT0/ZEROX pin passes 0 V. When the bit 2 of timer control register W3 is set to "1," timer 3 starts counting when the ZCF flag is set to "1" and stops counting when it is cleared to "0."

The ZCF flag can be controlled by the bit 2 (I22) of register I2. It can be set (operation state) when I22 is set to "1." It cannot be set (stop state) when I22 is cleared to "0" because it is fixed to "0." Clear I22 to "0" to clear the ZCF flag. However, when it is to be used after clear, set I22 to "1" and return it to the operation state.

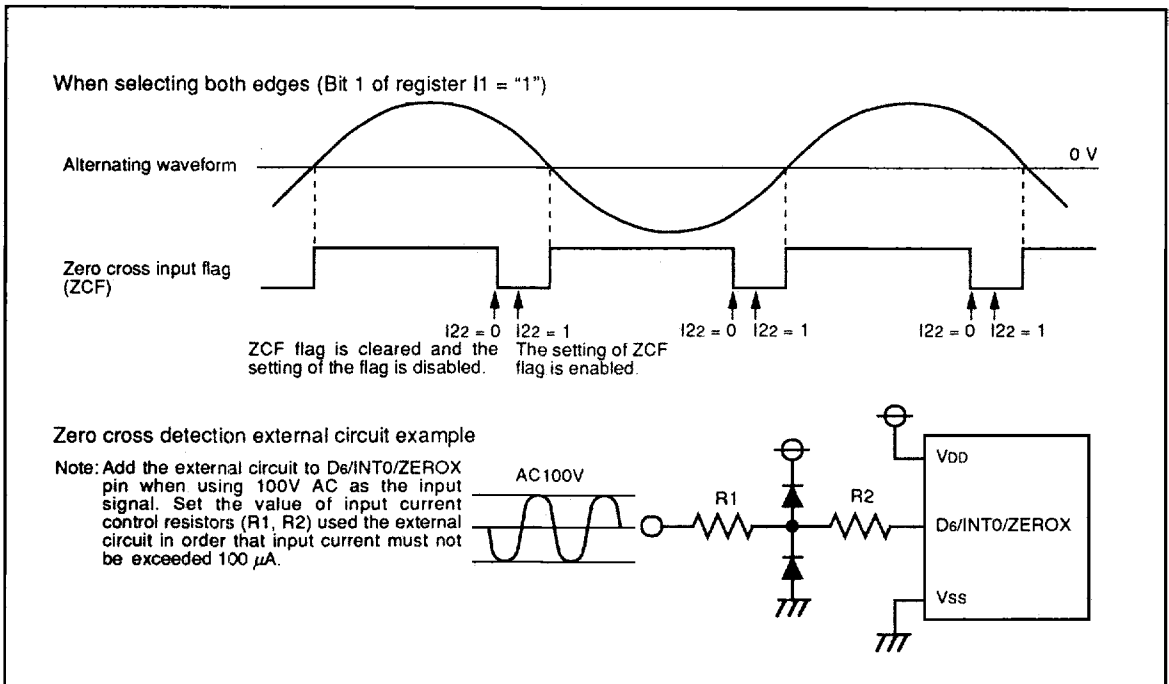


Fig. 19 Zero cross detection circuit operation

TIMERS

The 4510 Group has the programmable timers.

• Programmable timer

The programmable timer has a reload register and enables the frequency dividing ratio to be set. It is decremented from a setting value n . When it underflows (count to $n + 1$), a timer interrupt request flag is set to "1," new data is loaded from the reload register, and count continues (auto-reload function).

• Fixed dividing frequency timer

The fixed dividing frequency timer has the fixed frequency dividing ratio (n). An interrupt request flag is set to "1" after every n count of a count pulse.

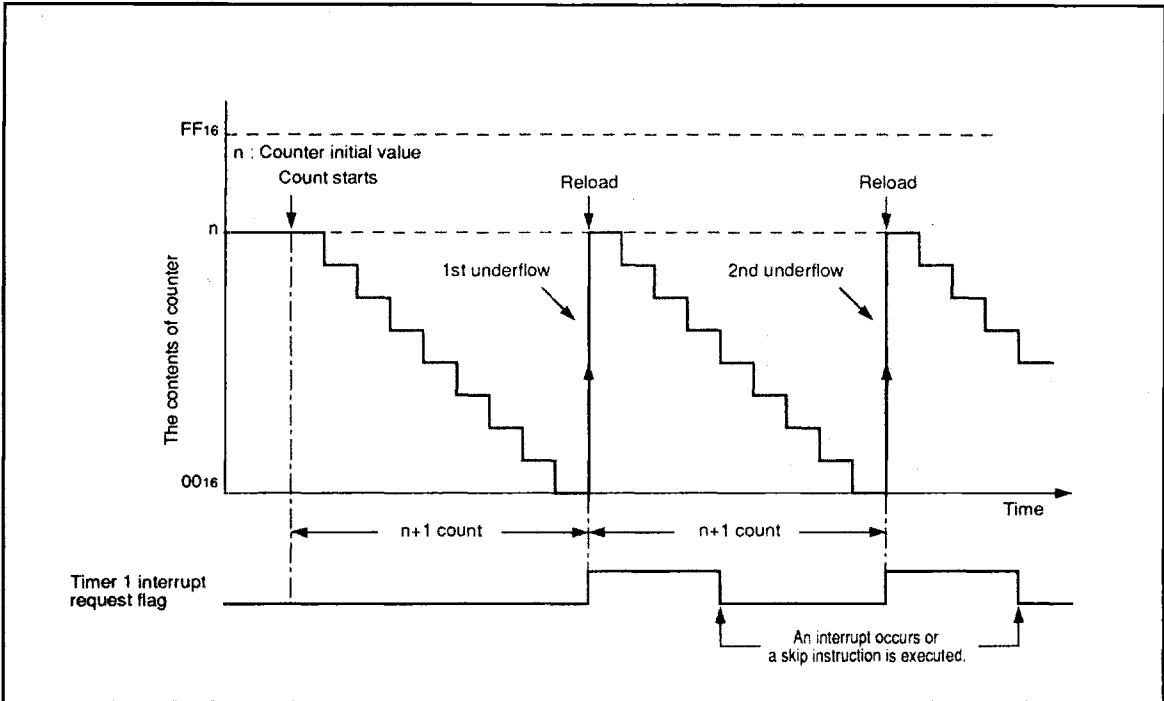


Fig. 20 Auto-reload function

The 4510 Group timer consists of the following circuits.

- Prescaler : frequency divider
- Timer 1 : 8-bit programmable timer
- Timer 2 : 8-bit programmable timer
- Timer 3 : 8-bit programmable timer
- Timer 4 : 8-bit programmable timer
(Timers 1 to 4 have the interrupt function, respectively)
- Watchdog timer

These timers can be controlled with the timer control registers W1 to W6. Each function is described below.

Table 9 Function related timers

Circuit	Structure	Count source	Frequency dividing ratio	Use of output signal	Control register
Prescaler	Frequency divider	• Instruction clock	2, 4	• Timer 1, 2, 3 and 4 count sources	W1
Timer 1	8-bit programmable binary down counter	• Prescaler output (ORCLK)	1 to 256	• Timer 2 count source • CNTR output • Timer 1 interrupt	W1 W6
Timer 2	8-bit programmable binary down counter	• Timer 1 underflow • Prescaler output (ORCLK) • CNTR input	1 to 256	• Timer 3 count source • Timer 2 interrupt	W2
Timer 3	8-bit programmable binary down counter (link to ZCF)	• Timer 2 underflow • Prescaler output (ORCLK)	1 to 256	• Timer 4 count source • Timer 3 interrupt	W3
Timer 4	8-bit programmable binary down counter	• Timer 3 underflow • Prescaler output (ORCLK) • CNTR input	1 to 256	• Real time output • Timer 4 interrupt	W4
Watchdog timer	16-bit fixed dividing frequency	• Instruction clock	65536	• System reset	

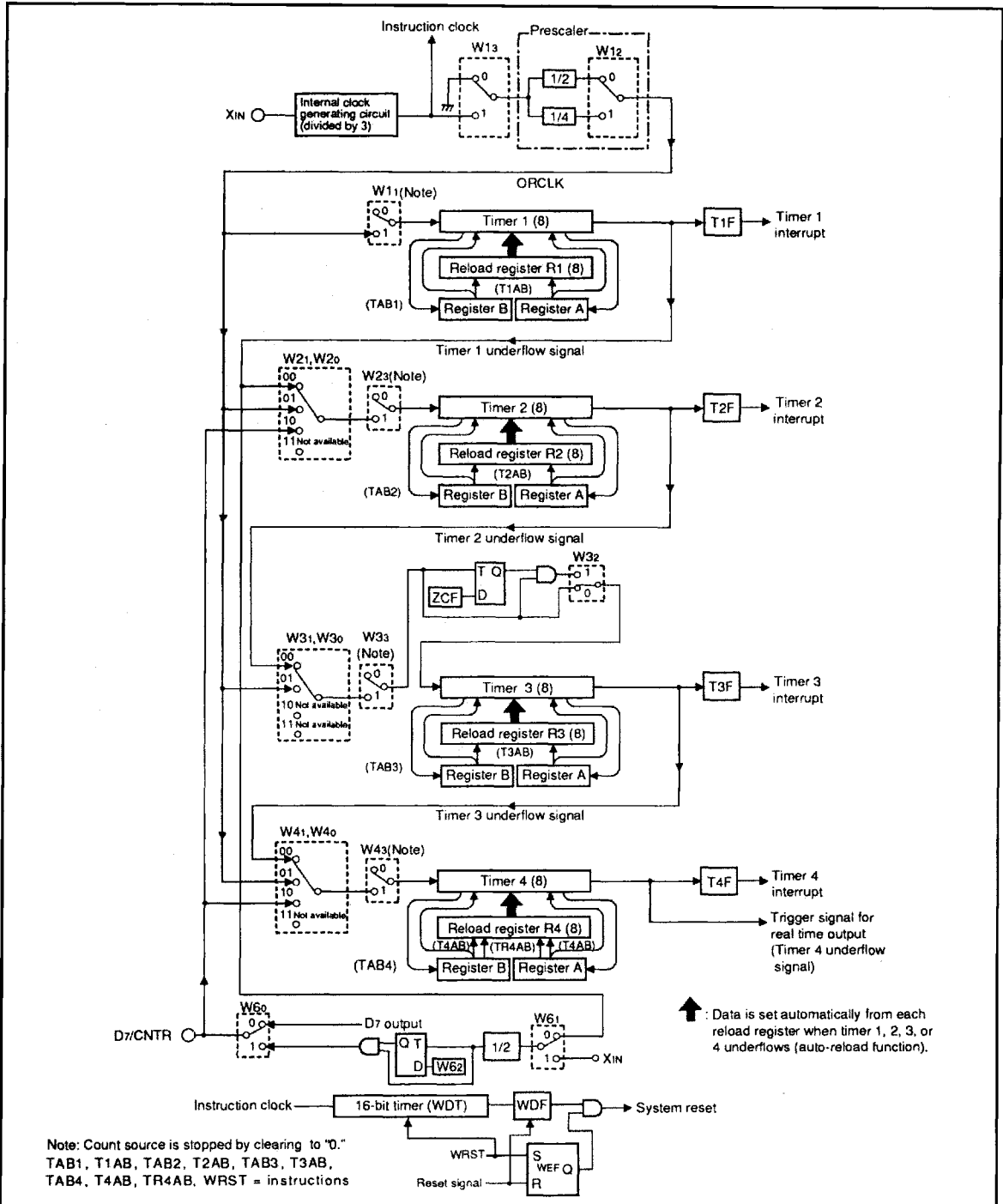


Fig. 21 Timers structure

Table 10 Timer control registers

Timer control register W1		at reset : 0000 ₂	at RAM back-up : 0000 ₂	R/W
W1 ₃	Prescaler control bit	0	Stop (state initialized)	
		1	Operating	
W1 ₂	Prescaler dividing ratio selection bit	0	Instruction clock divided by 2	
		1	Instruction clock divided by 4	
W1 ₁	Timer 1 control bit	0	Stop (state retained)	
		1	Operating	
W1 ₀	Not used	0	This bit has no function, but read/write is enabled.	
		1		
Timer control register W2		at reset : 0000 ₂	at RAM back-up : state retained	R/W
W2 ₃	Timer 2 control bit	0	Stop (state retained)	
		1	Operating	
W2 ₂	Not used	0	This bit has no function, but read/write is enabled.	
		1		
W2 ₁	Timer 2 count source selection bits	W2 ₁ W2 ₀		Count source
		0	0	Timer 1 underflow signal
0		1	Prescaler output	
W2 ₀		1	0	CNTR input
	1	1	Not available	
Timer control register W3		at reset : 0000 ₂	at RAM back-up : state retained	R/W
W3 ₃	Timer 3 control bit	0	Stop (state retained)	
		1	Operating	
W3 ₂	Timer 3 count start synchronous circuit control bit	0	Count start synchronous circuit not selected	
		1	Count start synchronous circuit selected	
W3 ₁	Timer 3 count source selection bits	W3 ₁ W3 ₀		Count source
		0	0	Timer 2 underflow signal
0		1	Prescaler output	
W3 ₀		1	0	Not available
	1	1	Not available	
Timer control register W4		at reset : 0000 ₂	at RAM back-up : state retained	R/W
W4 ₃	Timer 4 control bit	0	Stop (state retained)	
		1	Operating	
W4 ₂	Not used	0	This bit has no function, but read/write is enabled.	
		1		
W4 ₁	Timer 4 count source selection bits	W4 ₁ W4 ₀		Count source
		0	0	Timer 3 underflow signal
0		1	Prescaler output	
W4 ₀		1	0	CNTR input
	1	1	Not available	
Timer control register W6		at reset : 0000 ₂	at RAM back-up : state retained	R/W
W6 ₃	Not used	0	This bit has no function, but read/write is enabled.	
		1		
W6 ₂	CNTR output control bit	0	Output stop	
		1	Output	
W6 ₁	CNTR output selection bit	0	Timer 1 underflow signal divided by 2	
		1	X _{IN} divided by 2	
W6 ₀	D ₇ /CNTR function selection bit	0	D ₇ (I/O)/CNTR input	
		1	CNTR output/D ₇ (input)	

Note: "R" represents read enabled, and "W" represents write enabled.

(1) Timer control registers

- **Timer control register W1**
Register W1 controls the count operation of timer 1, and the frequency dividing ratio and count operation of prescaler. Set the contents of this register through register A with the TW1A instruction. The TAW1 instruction can be used to transfer the contents of register W1 to register A.
- **Timer control register W2**
Register W2 controls the count operation and count source of timer 2. Set the contents of this register through register A with the TW2A instruction. The TAW2 instruction can be used to transfer the contents of register W2 to register A.
- **Timer control register W3**
Register W3 controls the count operation and count source of timer 3 and the selection of count start synchronous circuit. Set the contents of this register through register A with the TW3A instruction. The TAW3 instruction can be used to transfer the contents of register W3 to register A.
- **Timer control register W4**
Register W4 controls the count operation and count source of timer 4. Set the contents of this register through register A with the TW4A instruction. The TAW4 instruction can be used to transfer the contents of register W4 to register A.
- **Timer control register W6**
Register W6 controls the D7/CNTR pin function, the selection and operation of the CNTR. Set the contents of this register through register A with the TW6A instruction. The TAW6 instruction can be used to transfer the contents of register W6 to register A.

(2) Precautions

Note the following for the use of timers.

- **Prescaler**
Stop the prescaler operation to change its frequency dividing ratio.
- **Count source**
Stop timer 1, 2, 3, or 4 counting to change its count source.
- **Reading the count value**
Stop timer 1, 2, 3, or 4 counting and then execute the TAB1, TAB2, TAB3, or TAB4 instruction to read its data.

(3) Prescaler

Prescaler is a frequency divider. Its frequency dividing ratio can be selected. The count source of prescaler is the instruction clock.

Use the bit 2 of register W1 to select the prescaler dividing ratio and the bit 3 to start and stop its operation. Prescaler is initialized, and the output signal (ORCLK) stops when the bit 3 of register W1 is cleared to "0."

(4) Timer 1 (interrupt function)

Timer 1 is an 8-bit binary down counter with the timer 1 reload register (R1). Data can be set simultaneously in timer 1 and the reload register (R1) with the T1AB instruction.

Timer 1 starts counting after the following process:

- ① set data in timer 1, and
- ② set the bit 1 of register W1 to "1."

Once count is started, when timer 1 underflows (the next count pulse is input after the contents of timer 1 becomes "0"), the timer 1 interrupt request flag (T1F) is set to "1," new data is loaded from reload register R1, and count continues (auto-reload function).

When a value set in reload register R1 is n , timer 1 divides the count source signal by $n + 1$ ($n = 0$ to 255).

Data can be read from timer 1 with the TAB1 instruction. When reading the data, stop the counter and then execute the TAB1 instruction. Timer 1 underflow signal divided by 2 can be output from D7/CNTR pin.

(5) Timer 2 (interrupt function)

Timer 2 is an 8-bit binary down counter with the timer 2 reload register (R2). Data can be set simultaneously in timer 2 and the reload register (R2) with the T2AB instruction.

Timer 2 starts counting after the following process:

- ① set data in timer 2,
- ② select the count source with the bits 0 and 1 of register W2, and
- ③ set the bit 3 of register W2 to "1."

Once count is started, when timer 2 underflows (the next count pulse is input after the contents of timer 2 becomes "0"), the timer 2 interrupt request flag (T2F) is set to "1," new data is loaded from reload register R2, and count continues (auto-reload function).

When a value set in reload register R2 is n , timer 2 divides the count source signal by $n + 1$ ($n = 0$ to 255).

Data can be read from timer 2 with the TAB2 instruction. When reading the data, stop the counter and then execute the TAB2 instruction.

(6) Timer 3 (interrupt function)

Timer 3 is an 8-bit binary down counter with the timer 3 reload register (R3). Data can be set simultaneously in timer 3 and the reload register (R3) with the T3AB instruction.

Timer 3 starts counting after the following process:

- ① set data in timer 3,
- ② select the count source with the bits 0 and 1 of register W3, and
- ③ set the bit 3 of register W3 to "1."

However, the ZCF flag can be used as a start trigger for timer 3 count operation by setting the bit 2 of register W3 to "1." (refer to the external interrupt).

Once count is started, when timer 3 underflows (the next count pulse is input after the contents of timer 3 becomes "0"), the timer 3 interrupt request flag (T3F) is set to "1," new data is loaded from reload register R3, and count continues (auto-reload function).

When a value set in reload register R3 is n , timer 3 divides the count source signal by $n + 1$ ($n = 0$ to 255). Data can be read from timer 3 with the TAB3 instruction. When reading the data, stop the counter and then execute the TAB3 instruction.

(7) Timer 4 (interrupt function)

Timer 4 is an 8-bit binary down counter with the timer 4 reload register (R4). Data can be set simultaneously in timer 4 and the reload register (R4) with the T4AB instruction.

Data can be written to reload register (R4) with the TR4AB instruction.

When writing data to reload register R4 with the TR4AB instruction, the downcount after the underflow is started from the setting value of reload register R4.

Timer 4 starts counting after the following process:

- ① set data in timer 4,
- ② select the count source with the bits 0 and 1 of register W4, and
- ③ set the bit 3 of register W4 to "1."

Once count is started, when timer 4 underflows (the next count pulse is input after the contents of timer 4 becomes "0"), the timer 4 interrupt request flag (T4F) is set to "1," new data is loaded from reload register R4, and count continues (auto-reload function).

When a value set in reload register R4 is n , timer 4 divides the count source signal by $n + 1$ ($n = 0$ to 255). Data can be read from timer 4 with the TAB4 instruction. When reading the data, stop the counter and then execute the TAB4 instruction.

Timer 4 underflow signal is also used as the trigger signal for the real timer output.

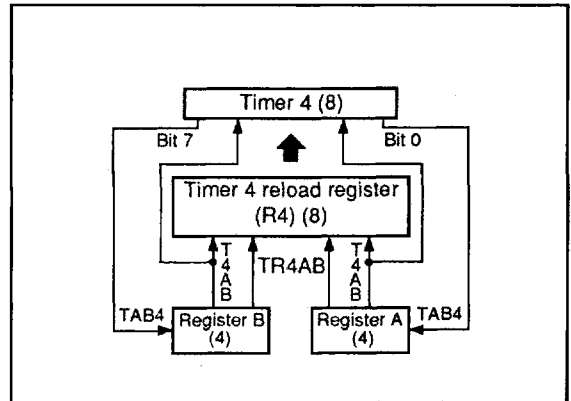


Fig. 22 Data setting example to timer 4

(8) Timer I/O pin (D7/CNTR)

Timer I/O pin (D7/CNTR) has functions to input the timer 2 and 4 count sources, and to output the timer 1 underflow signal and the $f(X_{IN})$ signal divided by 2. The selection of D7/CNTR pin function can be controlled with the bit 0 of register W6. The timer 1 underflow signal divided by 2 or the $f(X_{IN})$ signal divided by 2 can be selected as the CNTR output signal with the bit 1 of register W6. CNTR output can be controlled with the bit 2 of register W6.

Timers 2 and 4 count the rising waveform of CNTR input when the CNTR input is selected as the count source.

(9) Timer interrupt request flags (T1F, T2F, T3F, and T4F)

Each timer interrupt request flag is set to "1" when the each timer underflows. The state of these flags can be examined with the skip instructions (SNZT1, SNZT2, SNZT3, and SNZT4).

Use the interrupt control registers V1, V2 to select an interrupt or a skip instruction.

An interrupt request flag is cleared to "0" when an interrupt occurs or when the next instruction is skipped with a skip instruction.

WATCHDOG TIMER

Watchdog timer provides a method to reset the system when a program runs wild. Watchdog timer consists of timer (WDT), watchdog timer enable flag (WEF), and watchdog timer flag (WDF).

When the WRST instruction is executed after system is released from reset, the WEF flag is set to "1" and the timer WDT is set to "FFFF₁₆." At this time, the watchdog timer starts operating.

The timer WDT downcounts the instruction clocks as the count source. The underflow signal occurs when the count value reaches "0000₁₆." On generation of this underflow

signal, the WDF flag is set to "1" and the $\overline{\text{RESET}}$ pin outputs "L" level to reset the microcomputer. Execute the WRST instruction before the timer WDT underflows by a program when using watchdog timer to keep the microcomputer operating normally.

To prevent the WDT stopping in the event of misoperation, it is designed not to stop once the WRST instruction has been executed. Note also that, if the WRST instruction is never executed, the watchdog timer does not start.

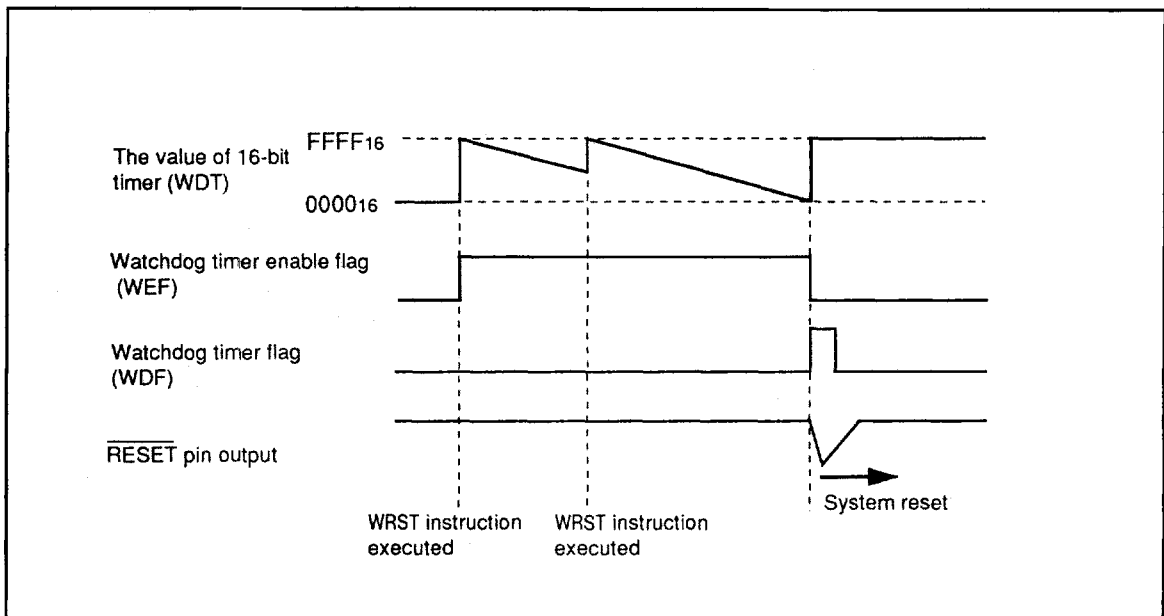


Fig. 23 Watchdog timer function

The contents of the WEF flag, the WDF flag and the timer WDT are initialized at the RAM back-up mode.

If the WDF flag is set to "1" at the same time that the microcomputer enters the RAM back-up state, system reset may be performed.

When using the watchdog timer and the RAM back-up mode, initialize the WDF flag with the WRST instruction just before the microcomputer enters the RAM back-up state (refer to Figure 24)

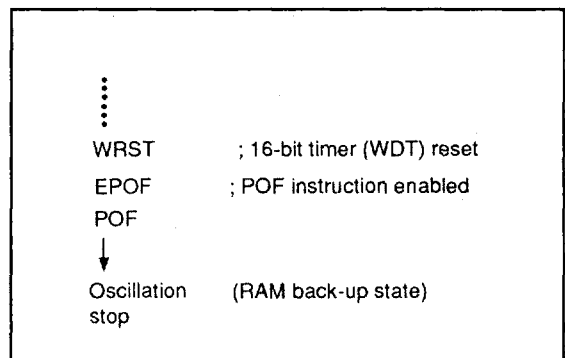


Fig. 24 Program example to enter the RAM back-up mode when using the watchdog timer

REAL TIME OUTPUT

The real time output function uses timer 4 underflow as the trigger to output the contents of the real time output register RTP from the real time output pin.

Each time a timer 4 underflow occurs, the data set in the register RTP is transferred to the real time output latch and at the same time is output from the real time output pin. D4/RTP and D5/RTP can be used for real time output. An example of how to use the real time output is shown below.

- ① Set the function of D4/RTP and D5/RTP to real time output with the real time output control register RTR.
- ② Set the initial output value in real time output latch. (The real time output latch can be set to "1" with the RTPS instruction and cleared to "0" with the RTPR instruction.)

- ③ Set data in the register RTP. (Set the data in the register RTP through register A with the TRTPA instruction.)
- ④ Select the timer 4 count source with the bits 0 and 1 of register W4.
- ⑤ Set data in timer 4 and reload register R4, and then start timer 4 count operation with the bit 3 of register W4.

Now the contents of the register RTP is output from the real time output pin each time the timer 4 underflows.

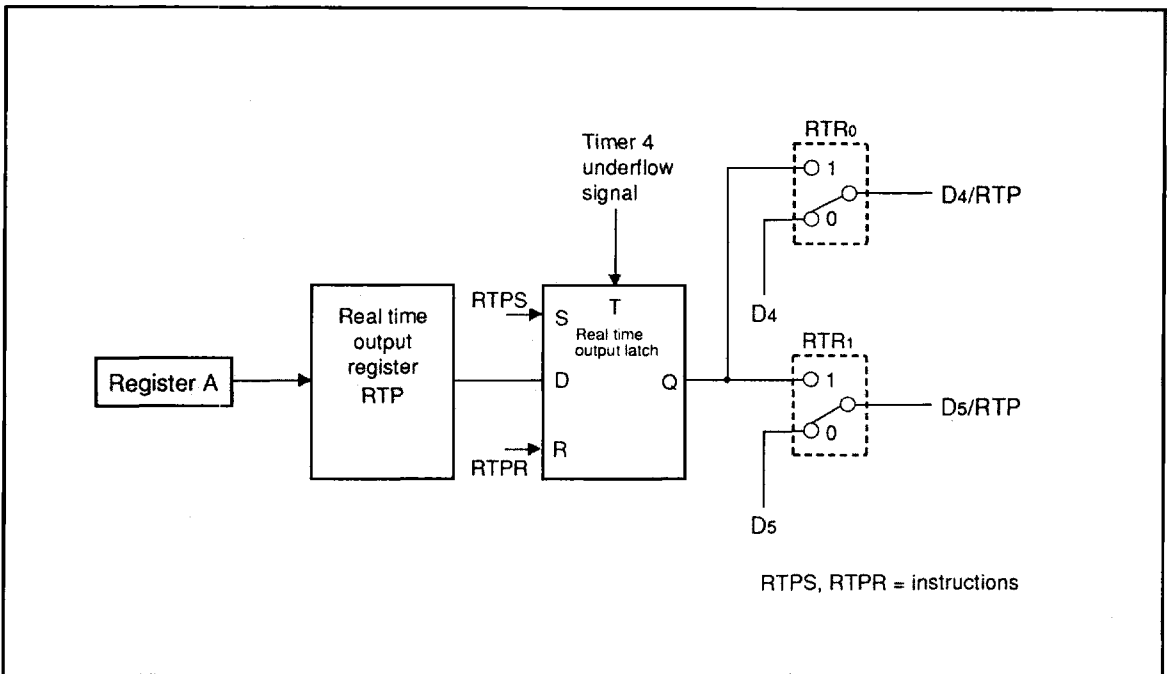


Fig. 25 Real time output structure

Real time output can be used together with the zero cross detection circuit. An example of how to use the real time output using the zero cross detection circuit is shown below.

- ① Repeat steps ① to ③ described above.
- ② Set $W4_1 = "0," W4_0 = "0"$
(timer 4 count source = timer 3 underflow signal)
- ③ Set $I2_2 = "0," W3_2 = "1"$
(ZCF flag is cleared and its setting is disabled. Timer 3 starts counting when the ZCF flag is set to "1" by selecting the timer 3 count start synchronous circuit.)
- ④ Set $I1_0 = "1," I1_3 = "1"$
(the noise elimination circuit is used and the ZEROX function is selected)
Select the valid waveform (= zero cross point to be detected) with $I1_1$ and $I1_2$

- ⑤ Set data in timer 3 and reload register R3, and timer 4 and reload register R4
- ⑥ Set $W3_3 = "1," W4_3 = "1"$
(timer 3 and timer 4 count operation start)
- ⑦ Set $I2_2 = "1"$
(the setting of ZCF flag is enabled)

Now the zero cross of alternating waveform input to Ds/INT0/ZEROX pin is detected and timer 3 count operation starts. Timer 4 counts the timer 3 underflow signal and the contents of the real time output latch is output from the real time output pin each time timer 4 underflows.

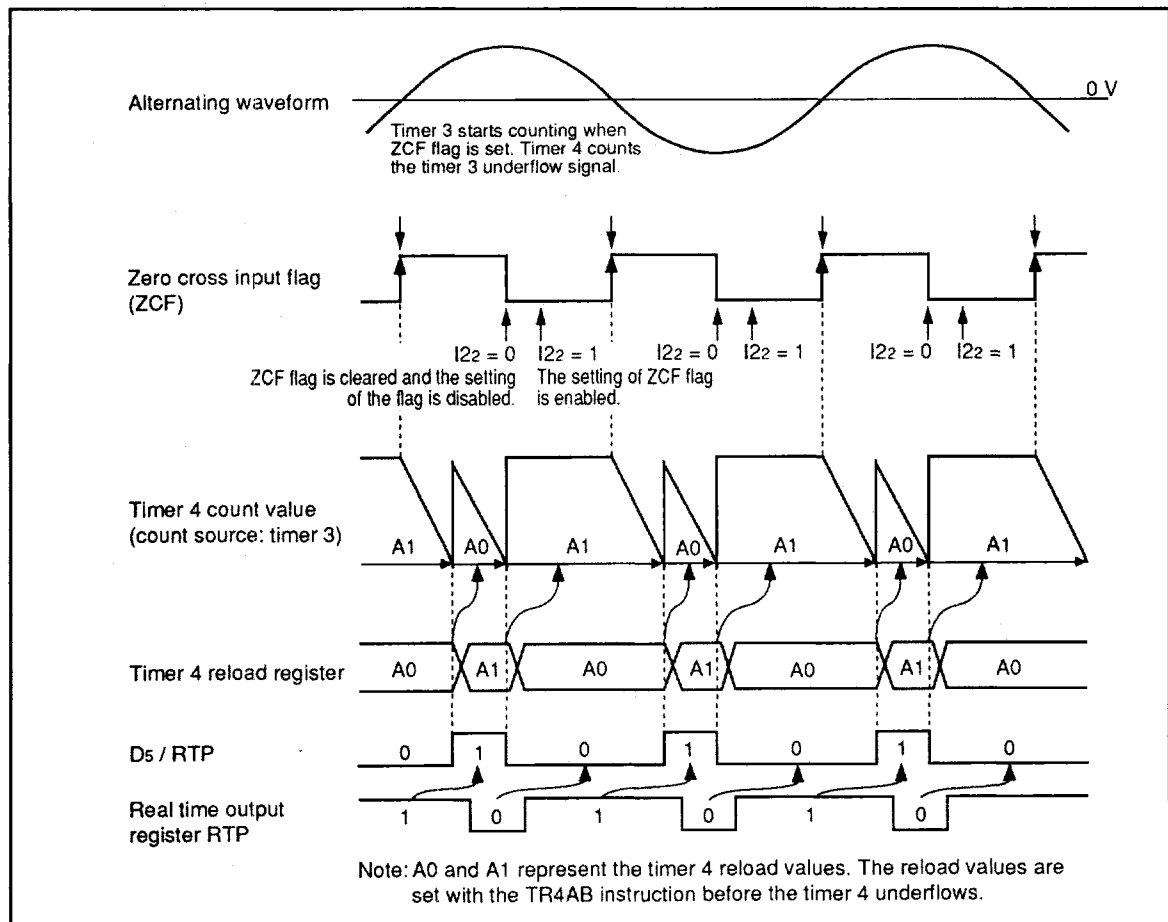


Fig. 26 Example of real time output operation using zero cross detection circuit

SERIAL I/O

The 4510 Group has a built-in clock synchronous serial I/O which can serially transmit or receive 8-bit data.

Serial I/O consists of;

- serial I/O register SI
- serial I/O mode register J1
- serial I/O transmission/reception completion flag (SIOF)
- serial I/O counter

Registers A and B are used to perform data transfer with internal CPU, and the serial I/O pins are used for external data transfer.

The pin functions of the serial I/O pins can be set with the register J1.

Table 11 Serial I/O pins

Pin	Pin function when selecting serial I/O
D ₈ /SCK	Clock I/O (Sck)
D ₉ /SOUT	Serial data output (SOUT)
P2 ₀ /SIN	Serial data input (SIN)

Note: Input port P2₀ can be used regardless of register J1.

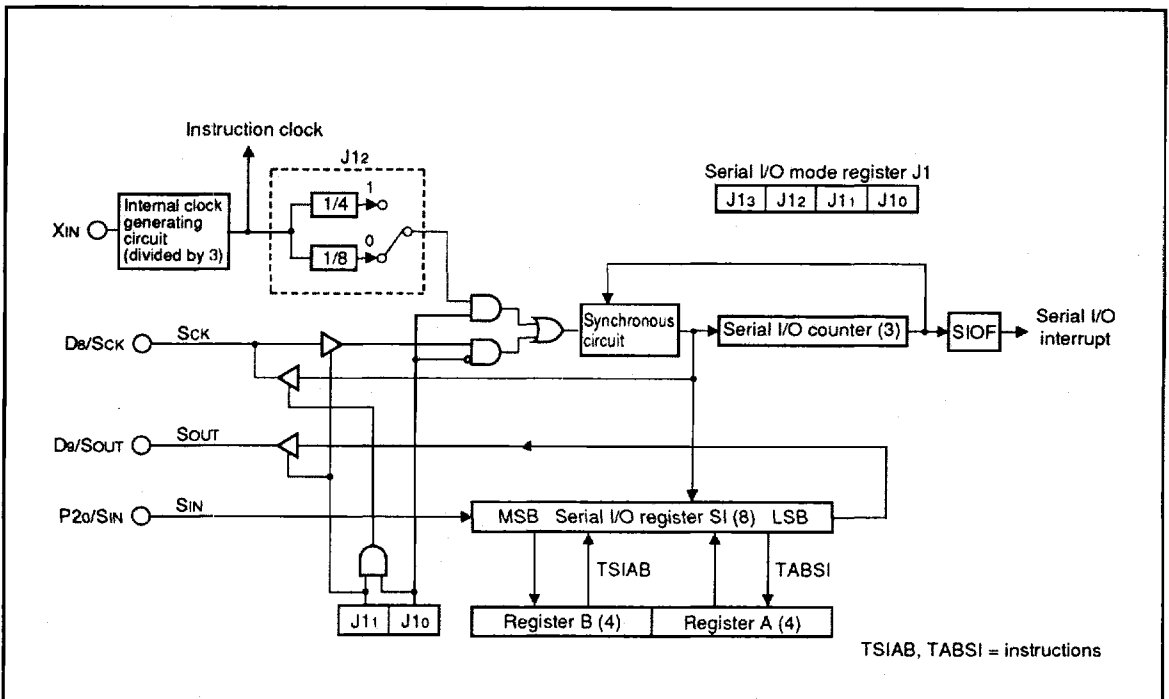


Fig. 27 Serial I/O structure

Table 12 Serial I/O mode register

Serial I/O mode register J1		at reset : 0000 ₂	at RAM back-up : state retained	R/W
J1 ₃	Not used	0	This bit has no function, but read/write is enabled.	
		1		
J1 ₂	Serial I/O internal clock dividing ratio selection bit	0	Instruction clock signal divided by 8	
		1	Instruction clock signal divided by 4	
J1 ₁	Serial I/O port selection bit	0	I/O ports D ₈ , D ₉ , and input port P2 ₀ selected	
		1	Serial I/O ports Sck, Sout, and Sin/input ports D ₈ , D ₉ and P2 ₀ selected	
J1 ₀	Serial I/O synchronous clock selection bit	0	External clock	
		1	Internal clock (instruction clock divided by 4 or 8)	

Note: "R" represents read enabled, and "W" represents write enabled.

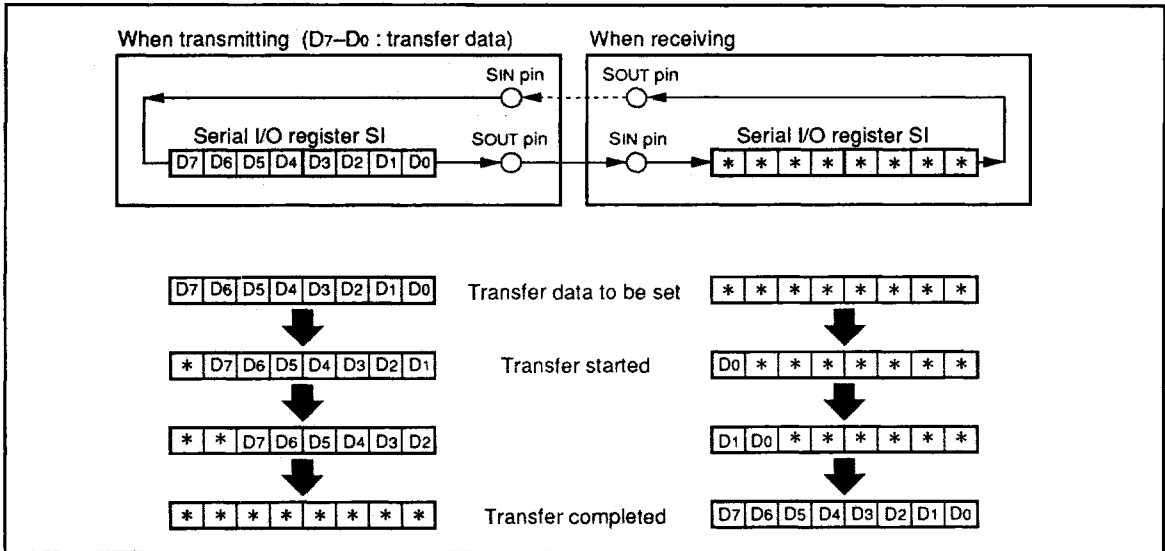


Fig. 28 Serial I/O register state when transferring

(1) Serial I/O register SI

Serial I/O register SI is the 8-bit data transfer serial/parallel conversion register. Data can be set to register SI through registers A and B with the TSIAB instruction. The contents of register A is transmitted to the low-order 4 bits of register SI, and the contents of register B is transmitted to the high-order 4 bits of register SI. During transmission, each bit data is transmitted LSB first from the lowermost bit (bit 0) of register SI, and during reception, each bit data is received LSB first to register SI starting from the topmost bit (bit 7).

When register SI is used as work registers without using serial I/O, pull up the Sck pin or set the pin function to an I/O port Ds.

(2) Serial I/O transmission/reception completion flag (SIOF)

Serial I/O transmission/reception completion flag (SIOF) is set to "1" when serial data transmission or reception completes. The state of SIOF flag can be examined with the skip instruction (SNZSI). Use the interrupt control register V2 to select the interrupt or the skip instruction.

The SIOF flag is cleared to "0" when the interrupt occurs or when the next instruction is skipped with the skip instruction.

(3) Serial I/O start instruction (SST)

When the SST instruction is executed, the SIOF flag is cleared to "0" and then serial I/O transmission/reception is started.

(4) Serial I/O mode register J1

Register J1 controls the synchronous clock, Ds/Sck and Ds/Sout pin function. Set the contents of this register through register A with the TJ1A instruction. The TAJ1 instruction can be used to transfer the contents of register J1 to register A.

(5) How to use serial I/O

Figure 29 shows the serial I/O connection example. Serial I/O interrupt is not used in this example. In the actual wiring, pull up the wiring between each pin with

a resistor. Figure 30 shows the data transfer timing and Table 13 shows the data transfer sequence.

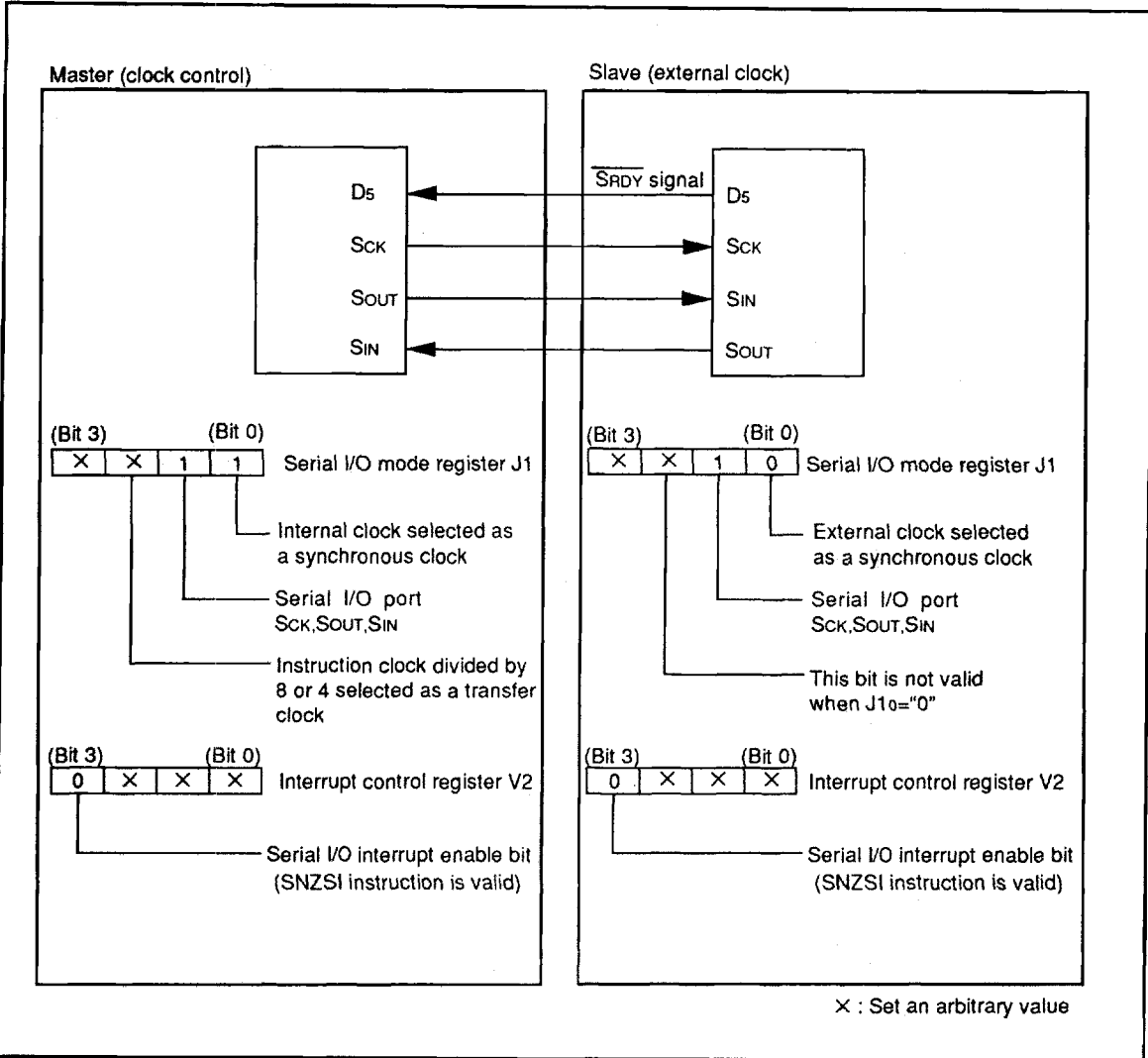


Fig. 29 Serial I/O connection example

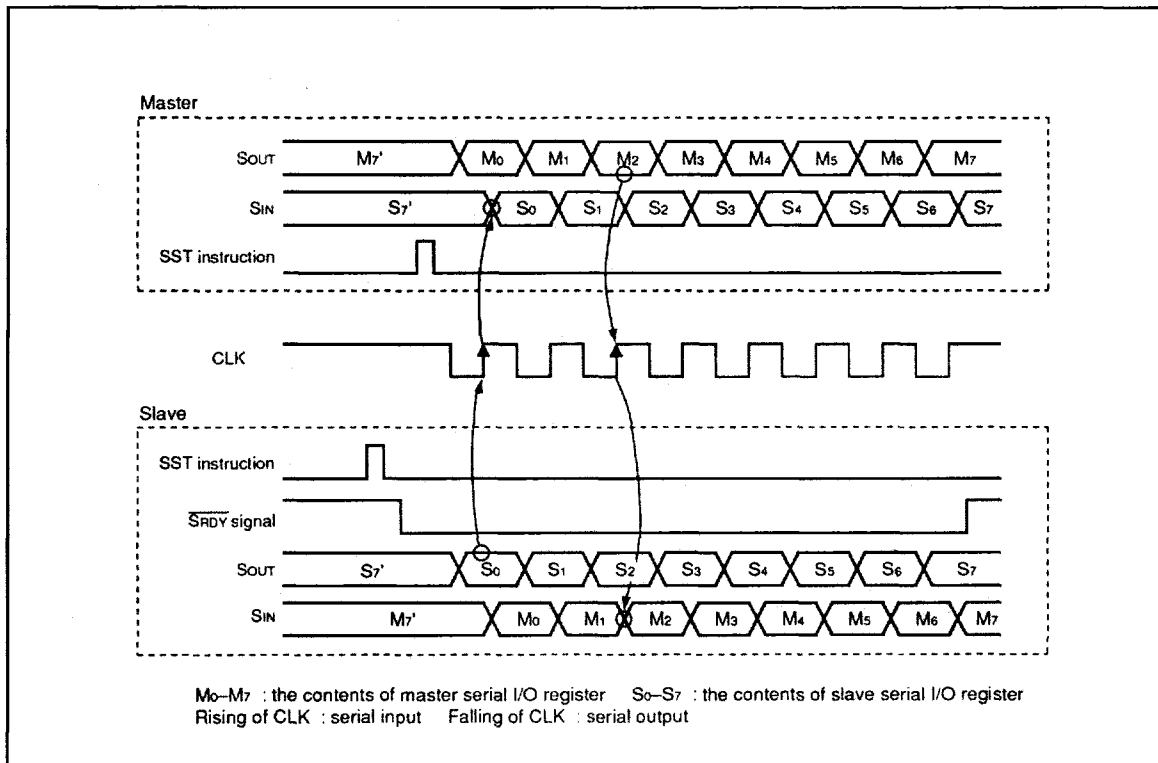


Fig. 30 Timing of serial I/O data transfer

Table 13 Processing sequence of data transfer from master to slave

Master (transmission)	Slave (reception)
[Initial setting] •Setting the serial I/O mode register J1 and interrupt control register V2 shown in Figure 29.	[Initial setting] •Setting serial I/O mode register J1, and interrupt control register V2 shown in Figure 29.
TJ1A and TV2A instructions	TJ1A and TV2A instructions
•Setting the port received the reception enable signal (\overline{SRDY}) to the input mode. (Port D5 is used in this example)	•Setting the port transmitted the reception enable signal (\overline{SRDY}) and outputting "H" level (reception impossible). (Port D5 is used in this example)
SD instruction	SD instruction
*[Transmission enable state] •Storing transmission data to serial I/O register SI.	*[Reception enable state] •The SIOF flag is cleared to "0."
TSIAB instruction	SST instruction
	•"L" level (reception possible) is output from port D5.
	RD instruction
[Transmission] •Check port D5 is "L" level.	[Reception]
SZD instruction	
•Serial transfer starts.	
SST instruction	
•Check transmission completes.	•Check reception completes.
SNZSI instruction	SNZSI instruction
•Wait (timing when continuously transferring)	•"H" level is output from port D5.
	SD instruction
	[Data processing]

1-byte data is serially transferred on this process.

Subsequently, data can be transferred continuously by repeating the process from *.

When an external clock is selected as a synchronous clock, the clock is not controlled internally. Control the clock externally because serial transfer is performed as long as clock is externally input. (Unlike an internal clock, an external clock is not stopped when serial transfer is completed.) However, the SIOF flag is set to "1" when the clock is counted 8 times after executing the SST instruction. Be sure to set the initial level of the external clock to "H."

A-D CONVERTER, COMPARATOR

The 4510 Group has a built-in A-D conversion circuit that performs conversion by 8-bit successive comparison method. Table 14 shows the characteristics of this A-D converter. This A-D converter can also be used as a comparator to compare analog voltages input from the analog input pin with preset values.

Table 14 A-D converter function

Parameter	Characteristics
Conversion format	Successive comparison method
Resolution	8 bits
Absolute accuracy	±2LSB
Conversion speed	25 μs (at 6.0 MHz system clock frequency)
Analog input pin	4 (selected from AIN0-AIN3)

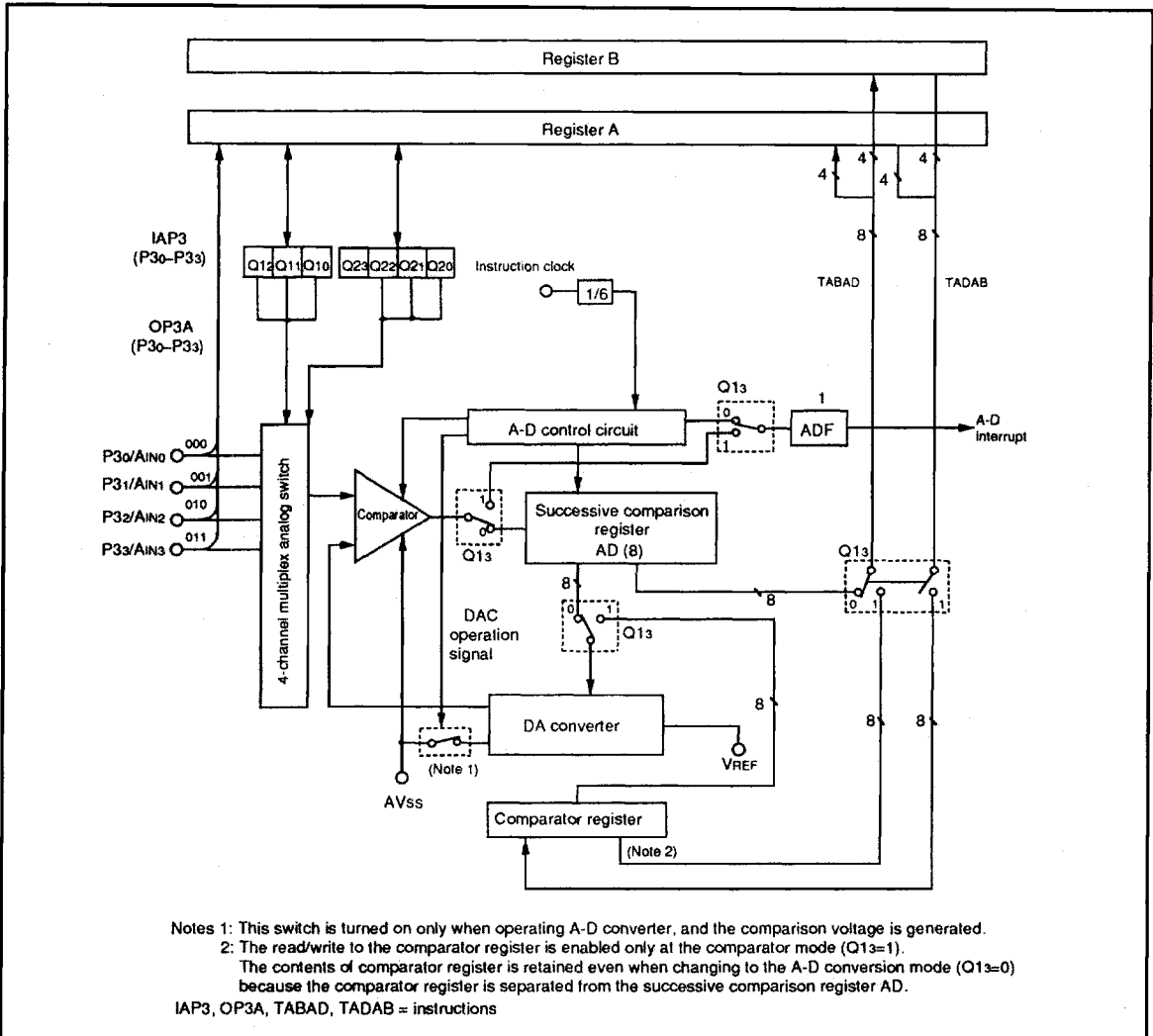


Fig. 31 A-D conversion circuit structure

Table 15 A-D control registers

A-D control register Q1		at reset : 0000z	at RAM back-up : state retained	R/W
Q13	A-D operating mode control bit	0	A-D conversion mode	
		1	Comparator mode	
Q12	Analog input pin selection bits (Note 2)	01201010	Selected pins	
		0 0 0	AIN0	
		0 0 1	AIN1	
		0 1 0	AIN2	
Q11	Analog input pin selection bits (Note 2)	0 1 1	AIN3	
		1 0 0	Not available	
Q10	Analog input pin selection bits (Note 2)	1 0 1	Not available	
		1 1 0	Not available	
		1 1 1	Not available	
A-D control register Q2		at reset : 0000z	at RAM back-up : state retained	R/W
Q23	Not used	0	This bit has no function, but read/write is enabled.	
		1		
Q22	P33/AIN3 and P32/AIN2 pin function selection bit	0	P33, P32 (I/O)	
		1	AIN3, AIN2/P33, P32 (output)	
Q21	P31/AIN1 pin function selection bit	0	P31 (I/O)	
		1	AIN1/P31 (output)	
Q20	P30/AIN0 pin function selection bit	0	P30 (I/O)	
		1	AIN0/P30 (output)	

Notes 1: "R" represents read enabled, "W" represents write enabled.

2: Select AIN0-AIN3 with register Q1 after setting register Q2.

(1) Operating at A-D conversion mode

The A-D conversion mode is set by setting the bit 3 of register Q1 to "0."

(2) Successive comparison register AD

Register AD stores the A-D conversion result of an analog input in 8-bit digital data format. The contents of this register can be stored in register B (high-order 4 bits) and register A (low-order 4 bits) with the TABAD instruction. However, do not execute this instruction during A-D conversion.

When the contents of register AD is n, the logic value of the comparison voltage V_{ref} generated from the built-in DA converter can be obtained with the reference voltage V_{REF} by the following formula:

Logic value of comparison voltage V_{ref}

When $n = 0$ $V_{ref} = 0$

When $n = 1$ to 255 $V_{ref} = \frac{V_{REF}}{256} \times (n - 0.5)$

n: The value of register AD (decimal expression)

(3) A-D conversion completion flag (ADF)

A-D conversion completion flag (ADF) is set to "1" when A-D conversion completes. The state of ADF flag can be examined with the skip instruction (SNZAD). Use the interrupt control register V2 to select the interrupt or the skip instruction.

The ADF flag is cleared to "0" when the interrupt occurs or when the next instruction is skipped with the skip instruction.

(4) A-D conversion start instruction (ADST)

A-D conversion starts when the ADST instruction is executed. The conversion result is automatically stored in the register AD.

(5) A-D control register Q1

Register Q1 is used to select one of the 4 analog input pins. After set the pin function with the register Q2, select the analog input with register Q1.

(6) A-D control register Q2

Register Q2 is used to select the pin function of P30/AIN0, P31/AIN1, P32/AIN2, and P33/AIN3. After set this register, select the analog input with register Q1. Even when register Q2 is used to set the pins for analog input, they continue to function as P30-P33 outputs. Accordingly, when using the output function of a pin that is not set for analog input, make sure to set the outputs of pins that are set for analog input to "1."

(7) Operation description

A-D conversion is started with the A-D conversion start instruction (ADST). The internal operation during A-D conversion is as follows:

- ① When A-D conversion starts, the register AD is cleared to "0016."
- ② Next, the topmost bit of the register AD is set to "1," and the comparison voltage V_{ref} is compared with the analog input voltage V_{IN} .
- ③ When the comparison result is $V_{ref} < V_{IN}$, the topmost bit of the register AD remains set to "1." When the comparison result is $V_{ref} > V_{IN}$, it is cleared to "0."

The 4510 Group repeats this operation to the lowermost bit of the register AD to convert an analog value to a digital value. A-D conversion stops after 50 machine cycles (25 μ s when $f(X_{IN}) = 6.0$ MHz) from the start, and the conversion result is stored in the register AD. An A-D interrupt activated condition is satisfied and the ADF flag is set to "1" as soon as A-D conversion completes (Figure 32).

Table 16 Change of successive comparison register AD during A-D conversion

At starting conversion	Change of successive comparison register AD	Comparison voltage (V_{ref}) value
1st comparison	1 0 0 0 0 0 0 0	$\frac{V_{REF}}{2} - \frac{V_{REF}}{512}$
2nd comparison	*1 1 0 0 0 0 0 0	$\frac{V_{REF}}{2} \pm \frac{V_{REF}}{4} - \frac{V_{REF}}{512}$
3rd comparison	*1 *2 1 0 0 0 0 0	$\frac{V_{REF}}{2} \pm \frac{V_{REF}}{4} \pm \frac{V_{REF}}{8} - \frac{V_{REF}}{512}$
After 8th comparison completes	A-D conversion result *1 *2 *3 *4 *5 *6 *7 *8	

- *1: 1st comparison result
- *2: 2nd comparison result
- *3: 3rd comparison result
- *4: 4th comparison result
- *5: 5th comparison result
- *6: 6th comparison result
- *7: 7th comparison result
- *8: 8th comparison result

(8) A-D conversion timing chart

Figure 32 shows the A-D conversion timing chart.

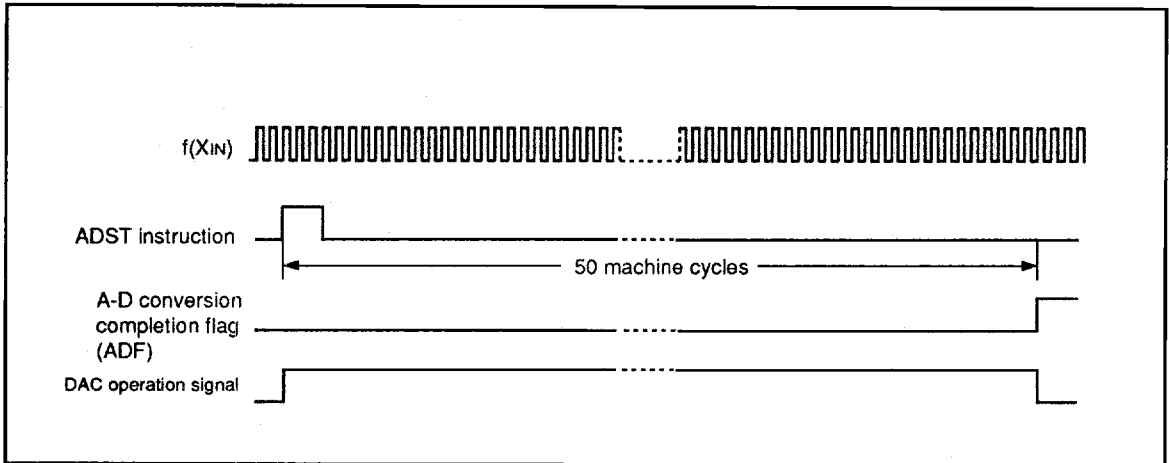


Fig. 32 A-D conversion timing chart

(9) How to use A-D conversion

How to use A-D conversion is explained using as example in which the analog input from P30/A1N0 pin is A-D converted, and the high-order 4 bits of the converted data are stored in address $M(Z, X, Y) = (0, 0, 0)$, and the low-order 4 bits in address $M(Z, X, Y) = (0, 0, 1)$ of RAM. The A-D interrupt is not used in this example.

- ① After selecting the P30/A1N0 pin function with the bit 0 of the register Q2, select P30/A1N0 pin and A-D conversion mode with the register Q1.
- ② Execute the ADST instruction and start A-D conversion.
- ③ Examine the state of ADF flag with the SNZAD instruction to determine the end of A-D conversion.
- ④ Transfer the converted data to registers A and B (TABAD instruction).
- ⑤ Transfer the contents of register A to $M(Z, X, Y) = (0, 0, 1)$.
- ⑥ Transfer the contents of register B to $M(Z, X, Y) = (0, 0, 0)$ through register A.

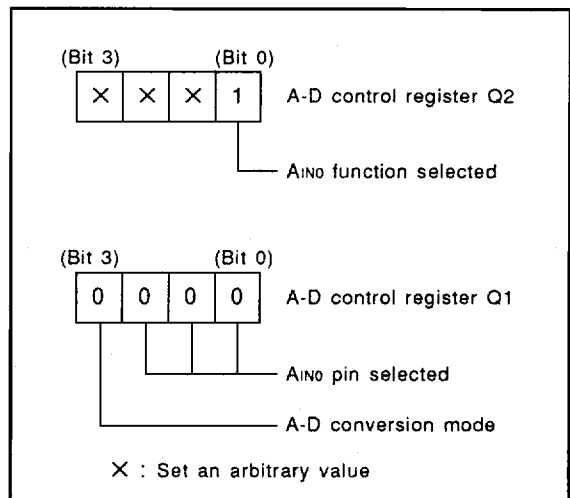


Fig. 33 Setting registers

(10) Operation at comparator mode

The A-D converter is set to comparator mode by setting bit 3 of the register Q1 to "1."

Below, the operation at comparator mode is described.

(11) Comparator register

In comparator mode, the built-in DA converter is connected to the comparator register as a register for setting comparison voltages. The contents of register B is stored in the high-order 4 bits of the comparator register and the contents of register A is stored in the low-order 4 bits of the comparator register with the TADAB instruction.

When changing from A-D conversion mode to comparator mode, the result of A-D conversion (register AD) is undefined.

However, because the comparator register is separated from register AD, the value is retained even when changing from comparator mode to A-D conversion mode. Note that the comparator register can be written and read at only comparator mode.

If the value in the register AD is n, the logic value of comparison voltage V_{ref} generated by the built-in DA converter can be determined from the following formula:

Logic value of comparison voltage V_{ref}

When $n = 0$ $V_{ref} = 0$

When $n = 1$ to 255 $V_{ref} = \frac{V_{REF}}{256} \times (n - 0.5)$

n: The value of register AD (decimal expression)

(12) Comparison result store flag (ADF)

In comparator mode, the ADF flag, which shows completion of A-D conversion, stores the results of comparing the analog input voltage with the comparison voltage. When the analog input voltage is lower than the comparison voltage, the ADF flag is set to "1." The state of ADF flag can be examined with the skip instruction (SNZAD). Use the interrupt control register V2 to select the interrupt or the skip instruction.

The ADF flag is cleared to "0" when the interrupt occurs or when the next instruction is skipped with the skip instruction.

(13) Comparator operation start instruction (ADST instruction)

In comparator mode, executing ADST starts the comparator operating.

The comparator stops 8 machine cycles after it has started ($4 \mu s$ at $f(X_{IN}) = 6.0$ MHz). When the analog input voltage is lower than the comparison voltage, the ADF flag is set to "1."

(14) Notes for the use of A-D conversion

Note the following when using the analog input pins also for I/O port P3 functions:

•P3 output

Even when pins P30/AIN0, P31/AIN1, P32/AIN2, and P33/AIN3 are set for analog input, they also function as port P3 output. When executing the OP3A instruction, set the outputs of pins set for analog input to "1."

•P3 input

Pins that are set for analog input do not function as port P3 input. After executing the IAP3 instruction, the values of bits corresponding to pins set for analog input are transmitted to register A as "0."

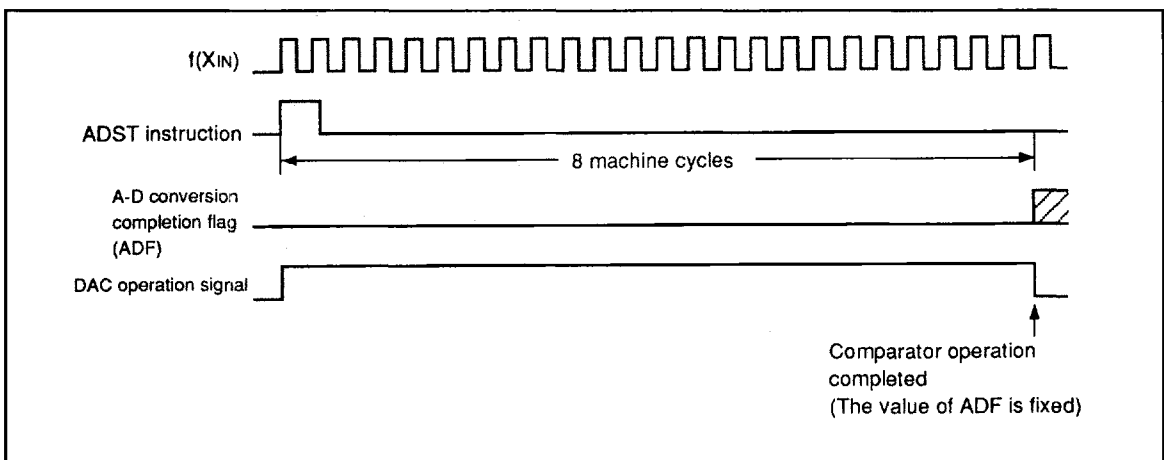


Fig. 34 Comparator operation timing chart

RESET FUNCTION

System reset is performed by applying "L" level to $\overline{\text{RESET}}$ pin for 1 machine cycle or more when the following condition is satisfied;

- the value of supply voltage is the minimum value or more of the recommended operating conditions.

Then when "H" level is applied to $\overline{\text{RESET}}$ pin, software starts from address 0 in page 0.

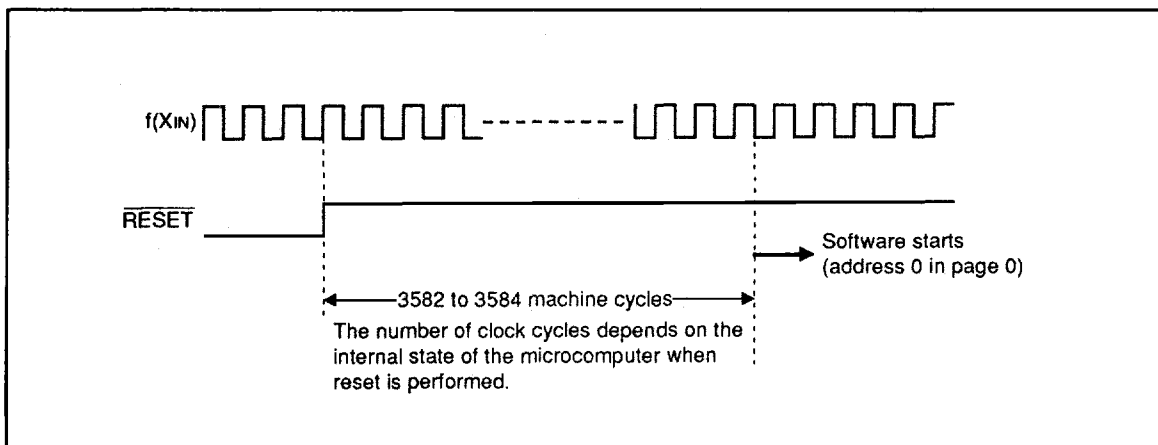


Fig. 35 Reset release timing

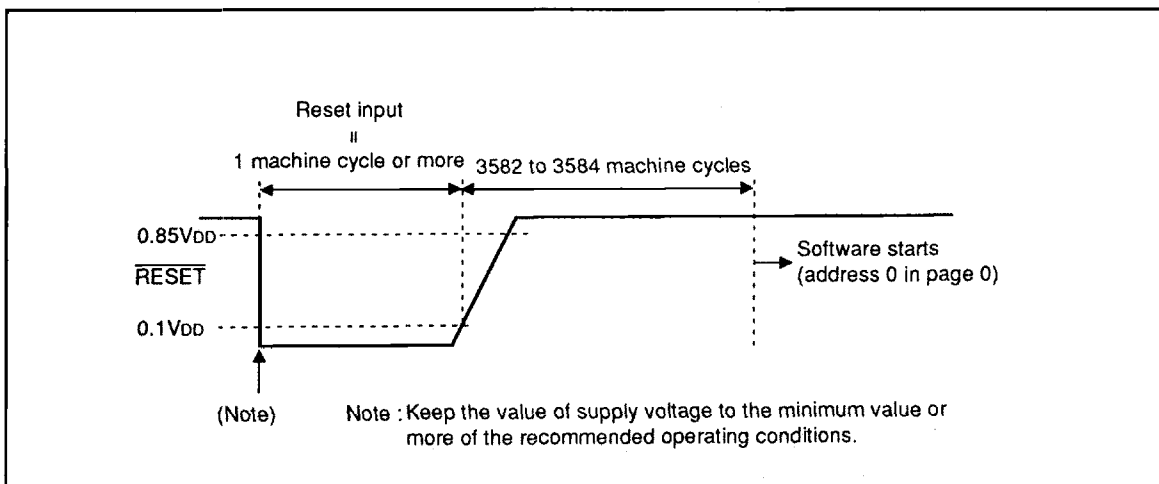


Fig. 36 RESET pin input waveform and reset operation

(1) Power-on reset

Reset can be performed automatically at power on (power-on reset) by connecting resistors, a diode, and a capacitor to $\overline{\text{RESET}}$ pin. Connect $\overline{\text{RESET}}$ pin and the external circuit at the shortest distance.

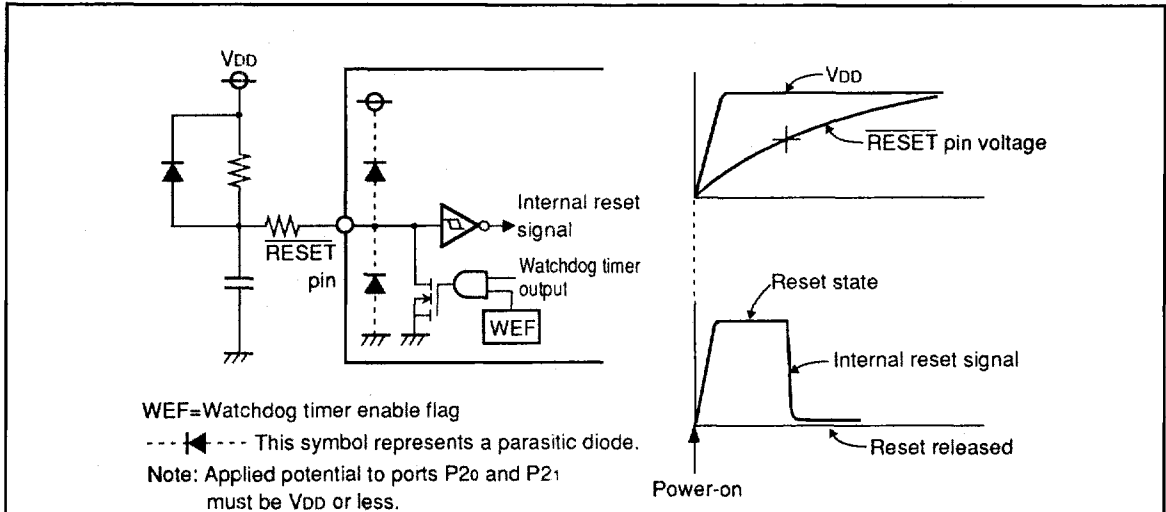


Fig. 37 Power-on reset circuit example

(2) Internal state at reset

Table 17 shows port state at reset, and Figure 38 shows internal state at reset (they are the same after system is released from reset).

The contents of timers, registers, flags and RAM except shown in Figure 38 are undefined, so set the initial value to them.

Table 17 Port state at reset

Name	Function	State
D0-D3	D0-D3	High impedance (Note)
D4/RTP, D5/RTP D6/CNTR D7/INT0/ZEROX D8/SCK, D9/ROUT	D4-D9	
P00-P03	P00-P03	
P10-P13	P10-P13	
P20/SIN, P21/INT1	P20, P21	
P30/AIN0-P33/AIN3	P30-P33	High impedance (Note)

Note: Output latch is set to "1."

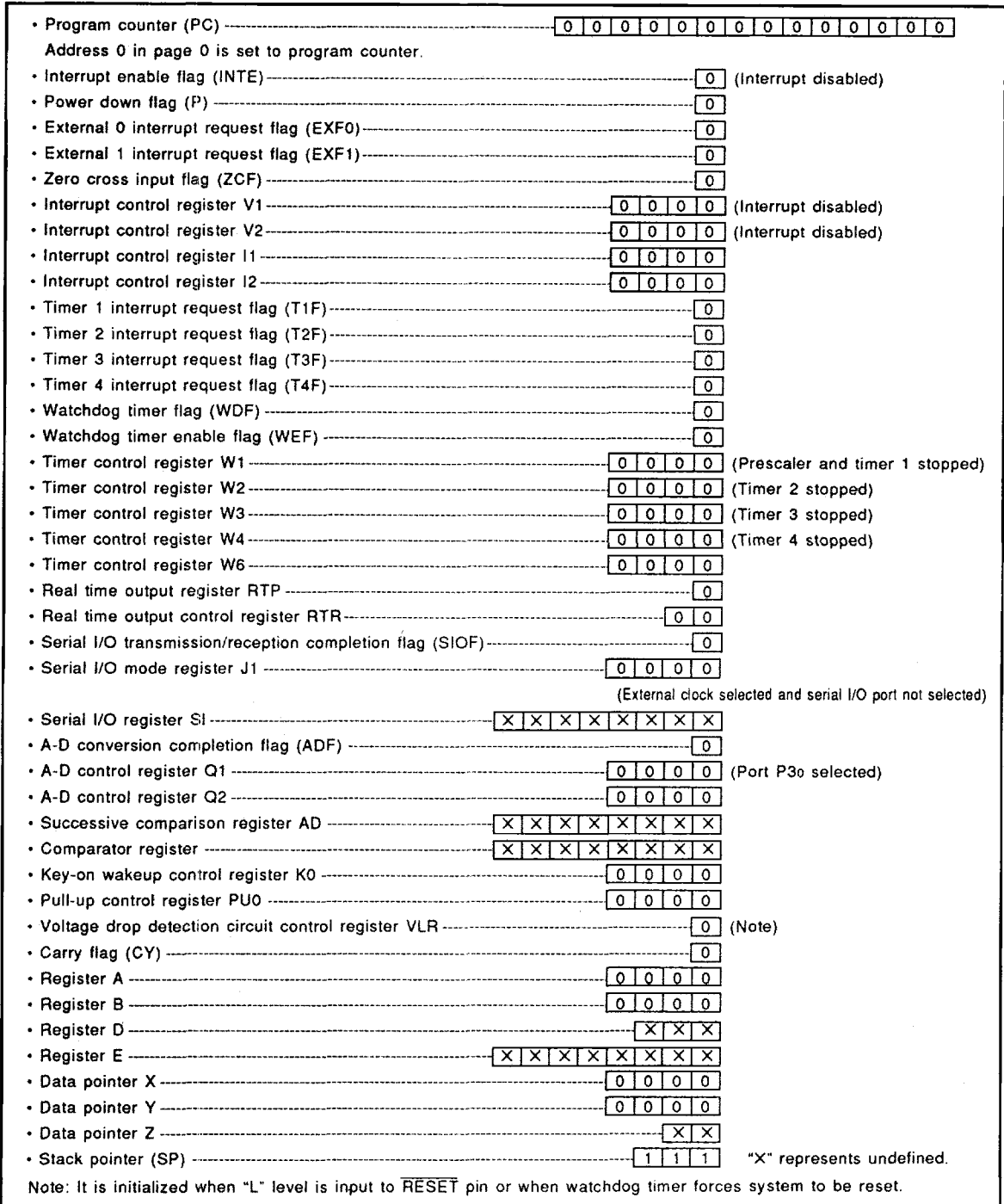


Fig. 38 Internal state at reset

VOLTAGE DROP DETECTION CIRCUIT

The built-in voltage drop detection circuit is designed to detect a drop in voltage and to reset the microcomputer if the supply voltage drops below a set value.

This circuit starts operating when the bit 0 of voltage drop detection circuit control register VLR is set to "1." Note that register VLR is initialized when an "L" level signal is input to the $\overline{\text{RESET}}$ pin ($\text{VLR}_0 = 0$).

When the contents of register VLR is set with the TVLRA instruction, only the first TVLRA instruction is valid and other TVLRA instructions are equivalent to the NOP instruction.

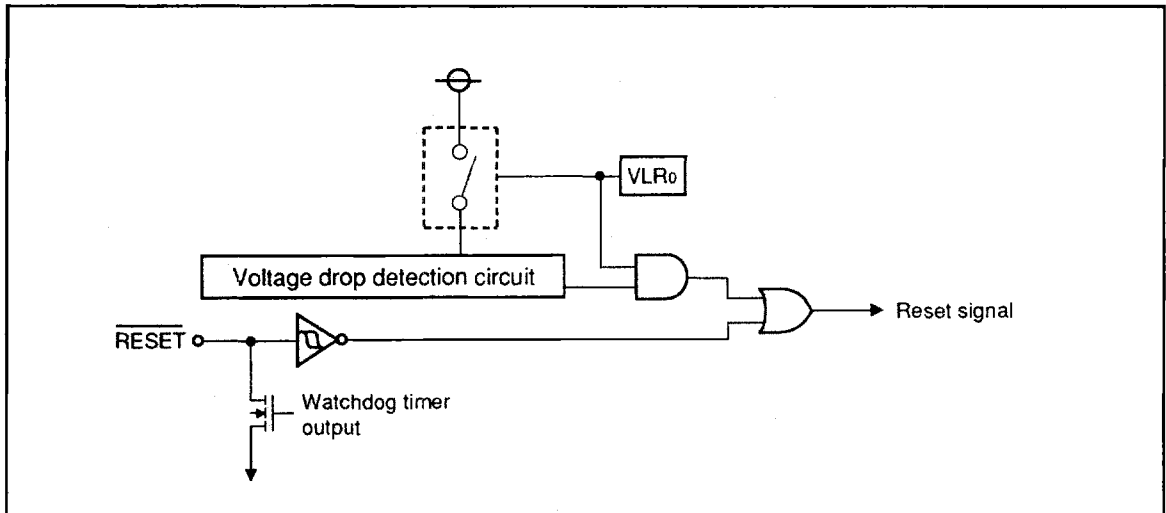


Fig. 39 Voltage drop detection reset circuit

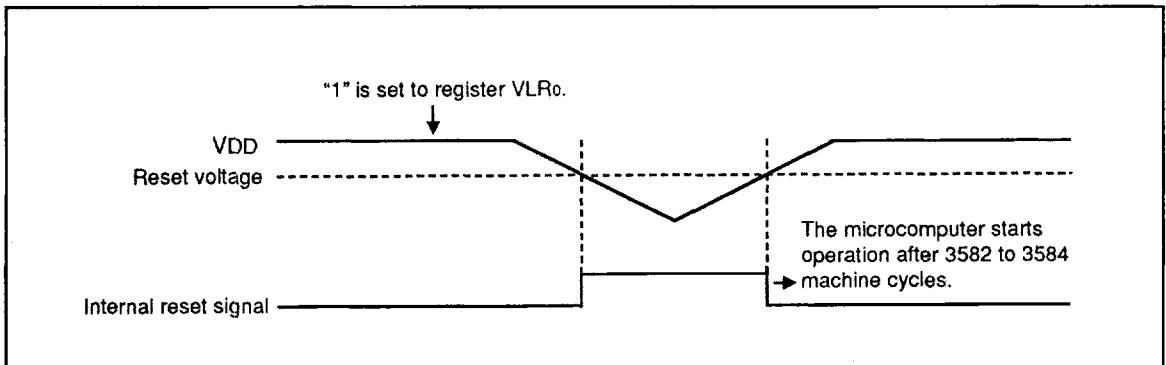


Fig. 40 Voltage drop detection circuit operation waveform

RAM BACK-UP MODE

The 4510 Group has the RAM back-up mode. When the EPOF and POF instructions are executed continuously, system enters the RAM back-up state. The POF instruction is equal to the NOP instruction when the EPOF instruction is not executed before the POF instruction. As oscillation stops retaining RAM, the function of reset circuit and states at RAM back-up mode, current dissipation can be reduced without losing the contents of RAM. Table 18 shows the function and states retained at RAM back-up. Figure 41 shows the state transition.

(1) Identification of the start condition

Warm start (return from the RAM back-up state) or cold start (return from the normal reset state) can be identified by examining the state of the power down flag (P) with the SNZP instruction.

(2) Warm start condition

When the external wakeup signal is input after the system enters the RAM back-up state by executing the EPOF and POF instructions continuously, the CPU starts executing the program from address 0 in page 0. In this case, the P flag is "1."

(3) Cold start condition

The CPU starts executing the program from address 0 in page 0 when;

- reset pulse is input to RESET pin, or
- reset by watchdog timer is performed, or
- voltage drop detection circuit detects the voltage drop.

In this case, the P flag is "0."

Table 18 Functions and states retained at RAM back-up

Function	RAM back-up
Program counter (PC), registers A, B, carry flag (CY), stack pointer (SP) (Note 2)	X
Contents of RAM	O
Port level	O
Timer control register W1	X
Timer control registers W2 to W4, W6	O
Interrupt control registers V1, V2	X
Interrupt control registers I1, I2	O
Timer 1 function	X
Timer 2 function	(Note 3)
Timer 3 function	(Note 3)
Timer 4 function	(Note 3)
A-D conversion function	X
A-D control registers Q1, Q2	O
Serial I/O function	X
Serial I/O mode register J1	O
Pull-up control register PU0	O
Key-on wakeup control register K0	O
Real time output register RTP	O
External 0 interrupt request flag (EXF0)	X
External 1 interrupt request flag (EXF1)	X
Zero cross input flag ZCF	X
Timer 1 interrupt request flag (T1F)	X
Timer 2 interrupt request flag (T2F)	(Note 3)
Timer 3 interrupt request flag (T3F)	(Note 3)
Timer 4 interrupt request flag (T4F)	(Note 3)
Watchdog timer flag (WDF)	X (Note 4)
Watchdog timer enable flag (WEF)	X (Note 4)
16-bit timer (WDT)	X (Note 4)
Real time output control register RTR	O
Voltage drop detection circuit control register VLR	O
A-D conversion completion flag (ADF)	X
Serial I/O transmission/reception completion flag (SIOF)	X
Interrupt enable flag (INTE)	X

Notes 1:"O" represents that the function can be retained, and "X" represents that the function is initialized. Registers and flags other than the above are undefined at RAM back-up, and set an initial value after returning.

2:The stack pointer (SP) points the level of the stack register and is initialized to "7" at RAM back-up.

3:The state of the timer is undefined.

4:Initialize the watchdog timer with the WRST instruction, and then execute the POF instruction.

(4) Return signal

An external wakeup signal is used to return from the RAM back-up mode because the oscillation is stopped. Table 19 shows the return condition for each return source.

● Pull-up control register PU0

Register PU0 controls the ON/OFF of the ports P0 and P1 pull-up transistor. Set the contents of this register through register A with the TPU0A instruction. In addition, the TAPU0 instruction can be used to transfer the contents of register PU0 to register A.

(5) Ports P0 and P1 control registers

● Key-on wakeup control register K0

Register K0 controls the ports P0 and P1 key-on wakeup function. Set the contents of this register through register A with the TK0A instruction. In addition, the TAK0 instruction can be used to transfer the contents of register K0 to register A.

Table 19 Return source and return condition

Return source	Return condition	Remarks
External wakeup signal Ports P0, P1	Return by an external falling edge input ("H"→"L").	Set the port using the key-on wakeup function selected with register K0 to "H" level before going into the RAM back-up state because the port P0 shares the falling edge detection circuit with port P1.
Port Da/INT0.	Return by an external "H" level or "L" level input. The EXF0 flag is not set.	Select the return level ("L" level or "H" level) with the bit 2 of register I1 according to the external state before going into the RAM back-up state.

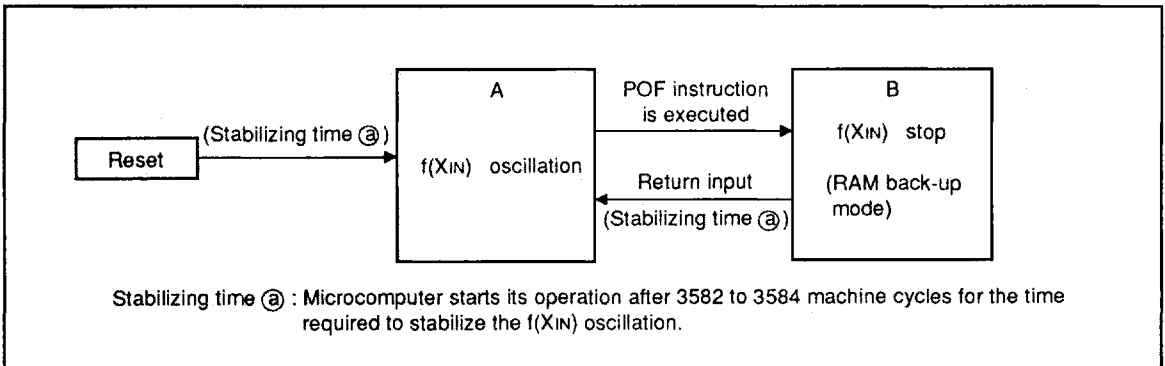


Fig. 41 State transition

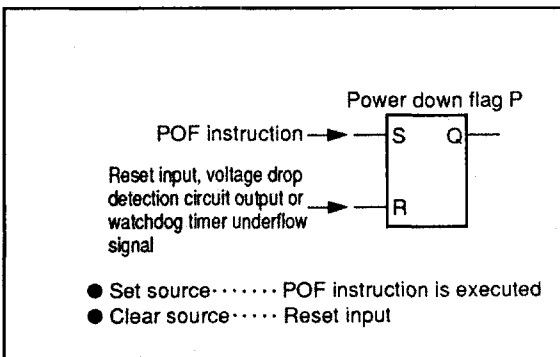


Fig. 42 Set source and clear source of the P flag

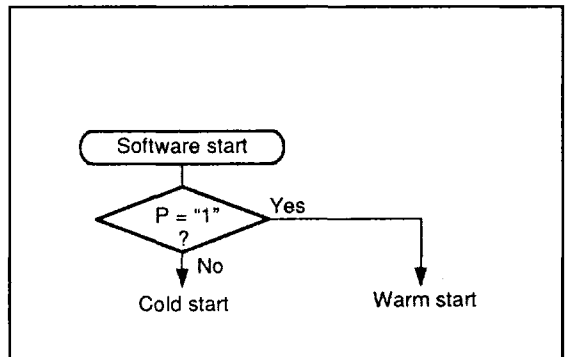


Fig. 43 Start condition identified example using the SNZP instruction

Table 20 Key-on wakeup control register, pull-up control register, voltage drop detection control register, and real time output control register

Key-on wakeup control register K0		at reset : 0000z	at RAM back-up : state retained	R/W
K0 ₃	Pins P1 ₂ and P1 ₃ key-on wakeup control bit	0	Key-on wakeup not used	
		1	Key-on wakeup used	
K0 ₂	Pins P1 ₀ and P1 ₁ key-on wakeup control bit	0	Key-on wakeup not used	
		1	Key-on wakeup used	
K0 ₁	Pins P0 ₂ and P0 ₃ key-on wakeup control bit	0	Key-on wakeup not used	
		1	Key-on wakeup used	
K0 ₀	Pins P0 ₀ and P0 ₁ key-on wakeup control bit	0	Key-on wakeup not used	
		1	Key-on wakeup used	
Pull-up control register PU0		at reset : 0000z	at RAM back-up : state retained	R/W
PU0 ₃	Pins P1 ₂ and P1 ₃ pull-up transistor control bit	0	Pull-up transistor OFF	
		1	Pull-up transistor ON	
PU0 ₂	Pins P1 ₀ and P1 ₁ pull-up transistor control bit	0	Pull-up transistor OFF	
		1	Pull-up transistor ON	
PU0 ₁	Pins P0 ₂ and P0 ₃ pull-up transistor control bit	0	Pull-up transistor OFF	
		1	Pull-up transistor ON	
PU0 ₀	Pins P0 ₀ and P0 ₁ pull-up transistor control bit	0	Pull-up transistor OFF	
		1	Pull-up transistor ON	
Voltage drop detection circuit control register VLR		at reset : 0z	at RAM back-up : state retained	W
VLR ₀	Voltage drop detection circuit control bit	0	Voltage drop detection circuit stop	
		1	Voltage drop detection circuit operating	
Real time output control register RTR		at reset : 00z	at RAM back-up : state retained	W
RTR ₁	D ₅ /real time output function selection bit	0	D ₅ (I/O)	
		1	Real time output/D ₅ (input)	
RTR ₀	D ₄ /real time output function selection bit	0	D ₄ (I/O)	
		1	Real time output/D ₄ (input)	

Note: "R" represents read enabled, and "W" represents write enabled.

CLOCK CONTROL

The clock control circuit consists of the following circuits.

- System clock generating circuit
- Control circuit to stop the clock oscillation
- Control circuit to return from the RAM back-up state

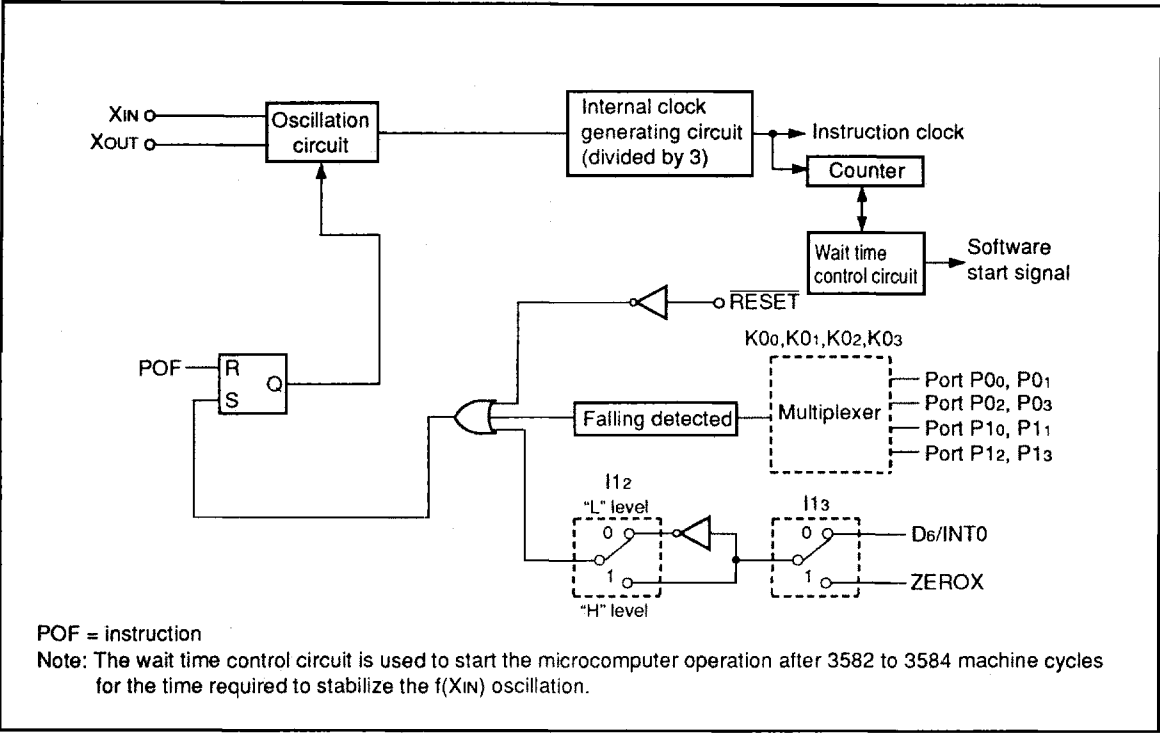


Fig. 44 Clock control circuit structure

Clock signal $f(X_{IN})$ is obtained by externally connecting a ceramic resonator. Connect this external circuit to pins X_{IN} and X_{OUT} at the shortest distance. A feedback resistor is built in between pins X_{IN} and X_{OUT} .
 When an external clock signal is input, connect the clock source to X_{IN} and leave X_{OUT} open. When using an external clock, the maximum value of external clock oscillating frequency is shown in Table 21.

Table 21 Maximum value of external clock oscillation frequency

Supply voltage	Oscillation frequency (duty ratio)
4.5 V to 5.5 V	4.0 MHz (40 % to 60 %)
4.0 V to 5.5 V	3.0 MHz (40 % to 60 %)
2.5 V to 5.5 V	1.0 MHz (30 % to 70 %)
2.0 V to 5.5 V	0.8 MHz (30 % to 70 %)

Note: 2.5 V to 5.5 V for the One Time PROM version and the built-in EPROM version.

ROM ORDERING METHOD

Please submit the information described below when ordering Mask ROM.

- (1) M34510M2A-XXXSP/FP Mask ROM Order Confirmation Form or M34510M4A-XXXSP/FP Mask ROM Order Confirmation Form..... 1
- (2) Data to be written into mask ROM EPROM (three sets containing the identical data)
- (3) Mark Specification Form 1

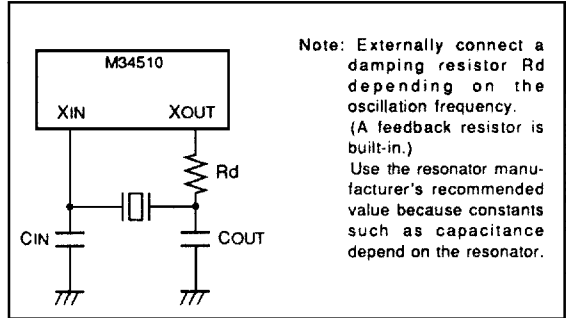


Fig. 45 Ceramic resonator external circuit

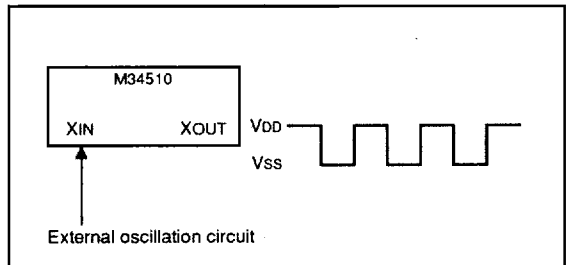


Fig. 46 External clock input circuit

LIST OF PRECAUTIONS

① **Noise and latch-up prevention**
 Connect a capacitor on the following condition to prevent noise and latch-up;
 • connect a bypass capacitor (approx. 0.1 μ F) between pins V_{DD} and V_{SS} at the shortest distance,
 • equalize its wiring in width and length, and
 • use relatively thick wire.
 In the built-in PROM version, CNV_{SS} pin is also used as V_{PP} pin. Accordingly, when using this pin, connect this pin to V_{SS} through a resistor about 5 k Ω in series at the shortest distance.

② **Prescaler**
 Stop the prescaler operation to change its frequency dividing ratio.

③ **Timer count source**
 Stop timer 1, 2, 3, or 4 counting to change its count source.

④ **Reading the count value**
 Stop timer 1, 2, 3, or 4 counting and then execute the TAB1, TAB2, TAB3, or TAB4 instruction to read its data.

⑤ **D₆/INT0/ZEROX pin**
 When the interrupt valid waveform of the D₆/INT0/ZEROX pin is changed with the bit 2 of register I1 in a program, be careful about the following notes.
 • Clear the bit 0 of register V1 to "0" before the interrupt valid waveform of D₆/INT0/ZEROX pin is changed with the bit 2 of register I1 (refer to Figure 47①).
 • Depending on the input state of the D₆/INT0/ZEROX pin, the external 0 interrupt request flag (EXF0) may be set when the interrupt valid waveform is changed. Accordingly, set a value to register I1, and execute the SNZ0 instruction to clear the EXF0 flag after executing at least one instruction (refer to Figure 47②).

```

:
LA 4 ; (XXX02)
TV1A ; The SNZ0 instruction is valid ①
LA 4
TI1A ; Change of the interrupt valid waveform
NOP ②
SNZ0 ; The SNZ0 instruction is executed
NOP
: X : this bit is not related to the setting of
INT0.
    
```

Fig. 47 External 0 interrupt program example

⑥ **P2₁/INT1 pin**
 When the interrupt valid waveform of P2₁/INT1 pin is changed with the bit 3 of register I2 in a program, be careful about the following notes.
 • Clear the bit 1 of register V1 to "0" before the interrupt valid waveform of P2₁/INT1 pin is changed with the bit 3 of register I2 (refer to Figure 48③).
 • Depending on the input state of the P2₁/INT1 pin, the external 1 interrupt request flag (EXF1) may be set when the interrupt valid waveform is changed. Accordingly, set a value to register I2 and execute the SNZ1 instruction to clear the EXF1 flag after executing at least one instruction (refer to Figure 48④).

```

:
LA 8 ; (XX0X2)
TV1A ; The SNZ1 instruction is valid ③
LA 8
TI2A ; Change of the interrupt valid waveform
NOP ④
SNZ1
NOP
: X : this bit is not related to the setting of
INT1.
    
```

Fig. 48 External 1 interrupt program example

⑦ **Built-in PROM version**
 The operating power voltage of the built-in EPROM version and One Time PROM version is 2.5 V to 5.5 V. Operating temperature range of the built-in EPROM version is -20 °C to 70 °C.
 Built-in EPROM version is the microcomputer for program development. Use this microcomputer only for program development and prototype test.

⑧ **Multifunction**
 Be sure that the I/O of D₆, the input of D₄, D₅, D₇-D₉, P2₀ and P2₁, and the output of P3₀-P3₃ can be used even when INT0/ZEROX, RTP, CNTR, Sck, Sout, Sin, INT1 and A_{IN0}-A_{IN3} are selected.

⑨ **A-D converter-1**

When the operating mode of the A-D converter is changed from the comparator mode to the A-D conversion mode with the bit 3 of register Q1 in a program, be careful about the following notes.

- Clear the bit 2 of register V2 to "0" to change the operating mode of the A-D converter from the comparator mode to the A-D conversion mode with the bit 3 of register Q1 (refer to Figure 49⑤).
- The A-D conversion completion flag (ADF) may be set when the operating mode of the A-D converter is changed from the comparator mode to the A-D conversion mode. Accordingly, set a value to register Q1, and execute the SNZAD instruction to clear the ADF flag.

Do not change the operating mode (both A-D conversion mode and comparator mode) of A-D converter with the bit 3 of register Q1 during operating the A-D converter.

LA	8	;(X0XX2)
TV2A		; The SNZAD instruction is valid ⑤
LA	0	;(0XXX2)
TQ1A		; Change of the operating mode of the A-D converter from the comparator mode to the A-D conversion mode
SNZAD		
NOP		
:		X : this bit is not related to the change of the operating mode of the A-D conversion.

Fig. 49 A-D converter operating mode program example

⑩ **A-D converter-2**

A-D conversion circuit is equipped with a capacitor which is used to compare the analog voltage. Accordingly, when the analog voltage is input from the circuit with high-impedance and, charge/discharge noise is generated and the sufficient A-D accuracy may not be obtained. Therefore, reduce the impedance or, connect a capacitor (0.01 μ F to 1 μ F) to analog input pins (Figure 50).

When the overvoltage applied to the A-D conversion circuit may occur, connect an external circuit in order to keep the voltage within the rated range as shown the Figure 51. In addition, test the application products sufficiently.

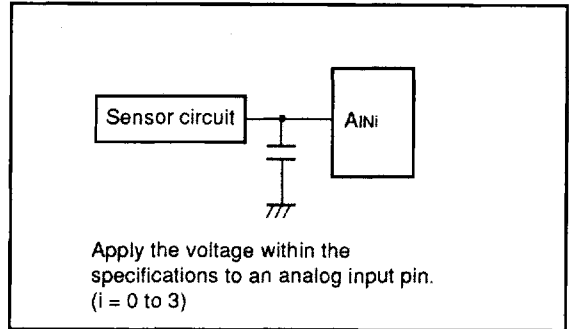


Fig. 50 Analog input external circuit example-1

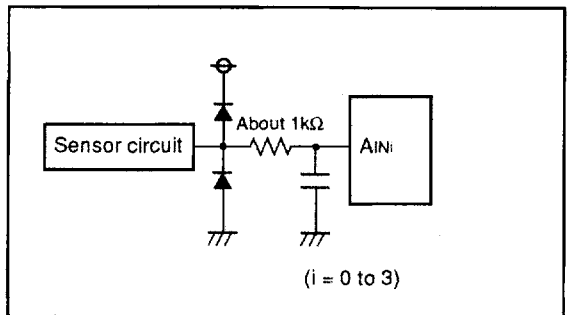


Fig. 51 Analog input external circuit example-2

⑪ **POF instruction**

Execute the POF instruction immediately after executing the EPOF instruction to enter the RAM back-up. Note that system cannot enter the RAM back-up state when executing only the POF instruction. Be sure to disable interrupts by executing the DI instruction before executing the EPOF instruction.

⑫ **Analog input pins**

Note the following when using the analog input pins also for I/O port P3 functions:

- P3 output
Even when pins P30/AIN0, P31/AIN1, P32/AIN2, and P33/AIN3 are set for analog input, they also function as port P3 output. When executing the OP3A instruction, set the outputs of pins set for analog input to "1."
- P3 input
Pins that are set for analog input do not function as port P3 input. After executing the IAP3 instruction, the values of bits corresponding to pins set for analog input are transmitted to register A as "0."

⑬ **Program counter**

Make sure that the PCH does not specify after the last page of the built-in ROM.

SYMBOL

The symbols shown below are used in the following instruction function table and instruction list.

Symbol	Contents	Symbol	Contents
A	Register A (4 bits)	T1	Timer 1
B	Register B (4 bits)	T2	Timer 2
DR	Register D (3 bits)	T3	Timer 3
E	Register E (8 bits)	T4	Timer 4
Q1	A-D control register Q1 (4 bits)	T1F	Timer 1 interrupt request flag
Q2	A-D control register Q2 (4 bits)	T2F	Timer 2 interrupt request flag
AD	Successive comparison register AD (8 bits)	T3F	Timer 3 interrupt request flag
J1	Serial I/O mode register J1 (4 bits)	T4F	Timer 4 interrupt request flag
SI	Serial I/O register SI (8 bits)	WDF	Watchdog timer flag
V1	Interrupt control register V1 (4 bits)	INTE	Interrupt enable flag
V2	Interrupt control register V2 (4 bits)	EXF0	External 0 interrupt request flag
I1	Interrupt control register I1 (4 bits)	EXF1	External 1 interrupt request flag
I2	Interrupt control register I2 (4 bits)	ZCF	Zero cross input flag
W1	Timer control register W1 (4 bits)	P	Power down flag
W2	Timer control register W2 (4 bits)	ADF	A-D conversion completion flag
W3	Timer control register W3 (4 bits)	SI0F	Serial I/O transmission/reception completion flag
W4	Timer control register W4 (4 bits)		
W6	Timer control register W6 (4 bits)	D	Port D (10 bits)
RTR	Real time output control register RTR (2 bits)	P0	Port P0 (4 bits)
K0	Key-on wakeup control register K0 (4 bits)	P1	Port P1 (4 bits)
PU0	Pull-up control register PU0 (4 bits)	P2	Port P2 (2 bits)
VLR	Voltage drop detection circuit control register VLR (1 bit)	P3	Port P3 (4 bits)
X	Register X (4 bits)	x	Hexadecimal variable
Y	Register Y (4 bits)	y	Hexadecimal variable
Z	Register Z (2 bits)	z	Hexadecimal variable
DP	Data pointer (10 bits) (It consists of registers X, Y, and Z)	p	Hexadecimal variable
PC	Program counter (14 bits)	n	Hexadecimal constant
PCH	High-order 7 bits of program counter	i	Hexadecimal constant
PCL	Low-order 7 bits of program counter	j	Hexadecimal constant
SK	Stack register (14 bits X 8)	A3A2A1A0	Binary notation of hexadecimal variable A (same for others)
SP	Stack pointer (3 bits)		
CY	Carry flag	←	Direction of data movement
R1	Timer 1 reload register	↔	Data exchange between a register and memory
R2	Timer 2 reload register	?	Decision of state shown before "?"
R3	Timer 3 reload register	()	Contents of registers and memories
R4	Timer 4 reload register	—	Negate, Flag unchanged after executing instruction
		M(DP)	RAM address pointed by the data pointer
		a	Label indicating address a6 a5 a4 a3 a2 a1 a0
		p, a	Label indicating address a5 a4 a3 a2 a1 a0 in page p5 p4 p3 p2 p1 p0
		C	Hex. C + Hex. number x (also same for others)
		+	
		x	

Note : The 4510 Group just invalidates the next instruction when a skip is performed. The contents of program counter is not increased by 2. Accordingly, the number of cycles does not change even if skip is not performed. However, the cycle count becomes "1" if the TABP p, RT, or RTS instruction is skipped.

LIST OF INSTRUCTION FUNCTION

Grouping	Mnemonic	Function	Grouping	Mnemonic	Function	Grouping	Mnemonic	Function	
Register to register transfer	TAB	(A) ← (B)	RAM to register transfer	XAMI j	(A) ← → (M(DP)) (X) ← (X)EXOR(j) j = 0 to 15 (Y) ← (Y) + 1	Bit operation	SB j	(M _j (DP)) ← 1 j = 0 to 3	
	TBA	(B) ← (A)		Arithmetic operation	TMA j		(M(DP)) ← (A) (X) ← (X)EXOR(j) j = 0 to 15	RB j	(M _j (DP)) ← 0 j = 0 to 3
	TAY	(A) ← (Y)			LA n		(A) ← n n = 0 to 15	Comparison operation	SEAM
	TYA	(Y) ← (A)			TABP p	(SP) ← (SP) + 1 (SK(SP)) ← (PC) (PCH) ← p (PCL) ← (DR ₂ -DR ₀ , A ₃ -A ₀) (B) ← (ROM(PC)) ₇₋₄ (A) ← (ROM(PC)) ₃₋₀ (PC) ← (SK(SP)) (SP) ← (SP) - 1	SEA n		(A) = n ? n = 0 to 15
	TEAB	(E ₇ -E ₄) ← (B) (E ₃ -E ₀) ← (A)			AM	(A) ← (A) + (M(DP))	Branch operation	B a	(PCL) ← a ₆ -a ₀
	TABE	(B) ← (E ₇ -E ₄) (A) ← (E ₃ -E ₀)			AMC	(A) ← (A) + (M(DP)) + (CY) (CY) ← Carry		BL p, a	(PCH) ← p (PCL) ← a ₆ -a ₀
	TDA	(DR ₂ -DR ₀) ← (A ₂ -A ₀)			A n	(A) ← (A) + n n = 0 to 15		BLA p	(PCH) ← p (PCL) ← (DR ₂ -DR ₀ , A ₃ -A ₀)
	TAD	(A ₂ -A ₀) ← (DR ₂ -DR ₀) (A ₃) ← 0			AND	(A) ← (A) AND (M(DP))	Subroutine operation	BM a	(SP) ← (SP) + 1 (SK(SP)) ← (PC) (PCH) ← 2 (PCL) ← a ₆ -a ₀
	TAZ	(A ₁ , A ₀) ← (Z ₁ , Z ₀) (A ₃ , A ₂) ← 0		OR	(A) ← (A) OR (M(DP))	BML p, a		(SP) ← (SP) + 1 (SK(SP)) ← (PC) (PCH) ← p (PCL) ← a ₆ -a ₀	
	TAX	(A) ← (X)		SC	(CY) ← 1	BMLA p		(SP) ← (SP) + 1 (SK(SP)) ← (PC) (PCH) ← p (PCL) ← (DR ₂ -DR ₀ , A ₃ -A ₀)	
TASP	(A ₂ -A ₀) ← (SP ₂ -SP ₀) (A ₃) ← 0	RC	(CY) ← 0	Return operation	RTI	(PC) ← (SK(SP)) (SP) ← (SP) - 1			
RAM addresses	LXY x, y	(X) ← x, x = 0 to 15 (Y) ← y, y = 0 to 15	SZC		(CY) = 0 ?	RT	(PC) ← (SK(SP)) (SP) ← (SP) - 1		
	LZ z	(Z) ← z, z = 0 to 3	CMA		(A) ← (A̅)	RTS	(PC) ← (SK(SP)) (SP) ← (SP) - 1		
	INY	(Y) ← (Y) + 1	RAR	→ [CY] → A ₃ A ₂ A ₁ A ₀					
	DEY	(Y) ← (Y) - 1							
RAM to register transfer	TAM j	(A) ← (M(DP)) (X) ← (X)EXOR(j) j = 0 to 15							
	XAM j	(A) ← → (M(DP)) (X) ← (X)EXOR(j) j = 0 to 15							
	XAMD j	(A) ← → (M(DP)) (X) ← (X)EXOR(j) j = 0 to 15 (Y) ← (Y) - 1							

LIST OF INSTRUCTION FUNCTION (continued)

Grouping	Mnemonic	Function	Grouping	Mnemonic	Function	Grouping	Mnemonic	Function
Interrupt operation	DI	(INTE) ← 0	Timer operation	TAB1	(B) ← (T17-T14) (A) ← (T13-T10)	Input/Output operation	IAP0	(A) ← (P0)
	EI	(INTE) ← 1		T1AB	(R17-R14) ← (B) (T17-T14) ← (B) (R13-R10) ← (A) (T13-T10) ← (A)		OP0A	(P0) ← (A)
	SNZ0	(EXF0) = 1 ? After skipping (EXF0) ← 0		TAB2	(B) ← (T27-T24) (A) ← (T23-T20)		IAP1	(A) ← (P1)
	SNZ1	(EXF1) = 1 ? After skipping (EXF1) ← 0		T2AB	(R27-R24) ← (B) (T27-T24) ← (B) (R23-R20) ← (A) (T23-T20) ← (A)		OP1A	(P1) ← (A)
	SNZI0	I12 = 1 : (INT0) = "H" I12 = 0 : (INT0) = "L"		TAB3	(B) ← (T37-T34) (A) ← (T33-T30)		IAP2	(A1-A0) ← (P21-P20) (A3, A2) ← 0
	SNZI1	I23 = 1 : (INT1) = "H" I23 = 0 : (INT1) = "L"		T3AB	(R37-R34) ← (B) (T37-T34) ← (B) (R33-R30) ← (A) (T33-T30) ← (A)		IAP3	(A) ← (P3)
	TAV1	(A) ← (V1)		TAB4	(B) ← (T47-T44) (A) ← (T43-T40)		OP3A	(P3) ← (A)
	TV1A	(V1) ← (A)		T4AB	(R47-R44) ← (B) (T47-T44) ← (B) (R43-R40) ← (A) (T43-T40) ← (A)		CLD	(D) ← 1
	TAV2	(A) ← (V2)		TR4AB	(R47-R44) ← (B) (R43-R40) ← (A)		RD	(D(Y)) ← 0 (Y) = 0 to 9
	TV2A	(V2) ← (A)		SNZT1	(T1F) = 1 ? After skipping (T1F) ← 0		SD	(D(Y)) ← 1 (Y) = 0 to 9
	TAI1	(A) ← (I1)		SNZT2	(T2F) = 1 ? After skipping (T2F) ← 0		SZD	(D(Y)) = 0 ? (Y) = 0 to 9
	TI1A	(I1) ← (A)		SNZT3	(T3F) = 1 ? After skipping (T3F) ← 0		TK0A	(K0) ← (A)
	TAI2	(A) ← (I2)		SNZT4	(T4F) = 1 ? After skipping (T4F) ← 0		TAK0	(A) ← (K0)
	TI2A	(I2) ← (A)					TPU0A	(PU0) ← (A)
Timer operation	TAW1	(A) ← (W1)			TAPU0	(A) ← (PU0)		
	TW1A	(W1) ← (A)			TABS1	(A) ← (S13-S10) (B) ← (S17-S14)		
	TAW2	(A) ← (W2)			TSIAB	(S13-S10) ← (A) (S17-S14) ← (B)		
	TW2A	(W2) ← (A)			TAJ1	(A) ← (J1)		
	TAW3	(A) ← (W3)			TJ1A	(J1) ← (A)		
	TW3A	(W3) ← (A)			SST	(SIOF) ← 0 Serial I/O starting		
	TAW4	(A) ← (W4)			SNZSI	(SIOF) = 1 ? After skipping (SIOF) ← 0		
	TW4A	(W4) ← (A)						
	TAW6	(A) ← (W6)						
	TW6A	(W6) ← (A)						

LIST OF INSTRUCTION FUNCTION (continued)

Grouping	Mnemonic	Function
A-D conversion operation	TABAD	(A) \leftarrow (AD ₃ -AD ₀) (B) \leftarrow (AD ₇ -AD ₄)
	TADAB	(AD ₃ -AD ₀) \leftarrow (A) (AD ₇ -AD ₄) \leftarrow (B)
	TAQ1	(A) \leftarrow (Q1)
	TQ1A	(Q1) \leftarrow (A)
	ADST	(ADF) \leftarrow 0 A-D conversion starting
	SNZAD	(ADF) = 1 ? After skipping, (ADF) \leftarrow 0
	TAQ2	(A) \leftarrow (Q2)
	TQ2A	(Q2) \leftarrow (A)
Other operation	NOP	(PC) \leftarrow (PC) + 1
	POF	RAM back-up
	EPOF	POF instruction valid
	SNZP	(P) = 1 ?
	WRST	(WDF) \leftarrow 0, (WEF) \leftarrow 1 (WDT) = FFFF ₁₆
	RTPS	(RTP) \leftarrow 1
	RTPR	(RTP) \leftarrow 0
	TRTPA	(RTP) \leftarrow (A ₀)
	TRTRA	(RTR ₁ , RTR ₀) \leftarrow (A ₁ , A ₀)
	TVLRA	(VLR) \leftarrow (A ₀)

INSTRUCTION CODE TABLE

D3-D0	Hex. notation	D9-D4						D3-D0						D3-D0					
		000000	000001	000010	000011	000100	000101	000110	000111	001000	001001	001010	001011	001100	001101	001110	001111	010000	010001
0000	0	NOP	BLA	SZB 0	BMLA	—	TASP	A 0	LA 0	TABP 0	TABP 16**	TABP 32*	TABP 48*	BML	BML**	BL	BL**	BM	B
0001	1	—	CLD	SZB 1	—	—	TAD	A 1	LA 1	TABP 1	TABP 17**	TABP 33*	TABP 49*	BML	BML**	BL	BL**	BM	B
0010	2	POF	—	SZB 2	—	—	TAX	A 2	LA 2	TABP 2	TABP 18**	TABP 34*	TABP 50*	BML	BML**	BL	BL**	BM	B
0011	3	SNZP	INY	SZB 3	—	—	TAZ	A 3	LA 3	TABP 3	TABP 19**	TABP 35*	TABP 51*	BML	BML**	BL	BL**	BM	B
0100	4	DI	RD	SZD	—	RT	TAV1	A 4	LA 4	TABP 4	TABP 20**	TABP 36*	TABP 52*	BML	BML**	BL	BL**	BM	B
0101	5	EI	SD	SEAn	—	RTS	TAV2	A 5	LA 5	TABP 5	TABP 21**	TABP 37*	TABP 53*	BML	BML**	BL	BL**	BM	B
0110	6	RC	—	SEAM	—	RTI	—	A 6	LA 6	TABP 6	TABP 22**	TABP 38*	TABP 54*	BML	BML**	BL	BL**	BM	B
0111	7	SC	DEY	—	—	—	—	A 7	LA 7	TABP 7	TABP 23**	TABP 39*	TABP 55*	BML	BML**	BL	BL**	BM	B
1000	8	—	AND	—	SNZ0	LZ 0	—	A 8	LA 8	TABP 8	TABP 24**	TABP 40*	TABP 56*	BML	BML**	BL	BL**	BM	B
1001	9	—	OR	TDA	SNZ1	LZ 1	—	A 9	LA 9	TABP 9	TABP 25**	TABP 41*	TABP 57*	BML	BML**	BL	BL**	BM	B
1010	A	AM	TEAB	TABE	SNZ10	LZ 2	—	A 10	LA 10	TABP 10	TABP 26**	TABP 42*	TABP 58*	BML	BML**	BL	BL**	BM	B
1011	B	AMC	—	—	SNZ11	LZ 3	EPOF	A 11	LA 11	TABP 11	TABP 27**	TABP 43*	TABP 59*	BML	BML**	BL	BL**	BM	B
1100	C	TYA	CMA	—	—	RB 0	SB 0	A 12	LA 12	TABP 12	TABP 28**	TABP 44*	TABP 60*	BML	BML**	BL	BL**	BM	B
1101	D	—	RAR	—	—	RB 1	SB 1	A 13	LA 13	TABP 13	TABP 29**	TABP 45*	TABP 61*	BML	BML**	BL	BL**	BM	B
1110	E	TBA	TAB	—	TV2A	RB 2	SB 2	A 14	LA 14	TABP 14	TABP 30**	TABP 46*	TABP 62*	BML	BML**	BL	BL**	BM	B
1111	F	—	TAY	SZC	TV1A	RB 3	SB 3	A 15	LA 15	TABP 15	TABP 31**	TABP 47*	TABP 63*	BML	BML**	BL	BL**	BM	B

The above table shows the relationship between machine language codes and machine language instructions. D3-D0 show the low-order 4 bits of the machine language code, and D9-D4 show the high-order 6 bits of the machine language code. The hexadecimal representation of the code is also provided. There are one-word instructions and two-word instructions, but only the first word of each instruction is shown. Do not use the code marked "—."

The codes for the second word of a two-word instruction are described below.

The second word	
BL	10 paaa aaaa
BML	10 paaa aaaa
BLA	10 pp00 pppp
BMLA	10 pp00 pppp
SEA	00 0111 nnnn
SZD	00 0010 1011

* and ** cannot be used at M34510M2A-XXXSP/FP.

* cannot be used at M34510M4A-XXXSP/FP.

INSTRUCTION CODE TABLE (continued)

D3-D0	Hex notation	D9-D4																30 to 3F
		100000	100001	100010	100011	100100	100101	100110	100111	101000	101001	101010	101011	101100	101110	101111	110000 111111	
0000	0	—	TW3A	OP0A	T1AB	—	TAW6	IAP0	TAB1	SNZT1	TVLRA	WRST	TMA0	TAM0	XAM0	XAMI0	XAMD0	LXY
0001	1	—	TW4A	OP1A	T2AB	—	—	IAP1	TAB2	SNZT2	TRTRA	RTPS	TMA1	TAM1	XAM1	XAMI1	XAMD1	LXY
0010	2	TJ1A	—	—	T3AB	TAJ1	—	IAP2	TAB3	SNZT3	—	RTPR	TMA2	TAM2	XAM2	XAMI2	XAMD2	LXY
0011	3	—	TW6A	OP3A	T4AB	—	TAI1	IAP3	TAB4	SNZT4	—	—	TMA3	TAM3	XAM3	XAMI3	XAMD3	LXY
0100	4	TQ1A	—	—	—	TAQ1	TAI2	—	—	—	—	—	TMA4	TAM4	XAM4	XAMI4	XAMD4	LXY
0101	5	TQ2A	—	—	—	TAQ2	—	—	—	—	—	—	TMA5	TAM5	XAM5	XAMI5	XAMD5	LXY
0110	6	—	—	—	—	—	TAK0	—	—	—	—	—	TMA6	TAM6	XAM6	XAMI6	XAMD6	LXY
0111	7	—	TI1A	—	—	—	TAPU0	—	—	SNZAD	—	—	TMA7	TAM7	XAM7	XAMI7	XAMD7	LXY
1000	8	—	TI2A	—	TSIAB	—	—	—	TABS1	SNZSI	—	—	TMA8	TAM8	XAM8	XAMI8	XAMD8	LXY
1001	9	—	TRTPA	—	TADAB	—	—	—	TABAD	—	—	—	TMA9	TAM9	XAM9	XAMI9	XAMD9	LXY
1010	A	—	—	—	—	—	—	—	—	—	—	—	TMA10	TAM10	XAM10	XAMI10	XAMD10	LXY
1011	B	—	TK0A	—	—	TAW1	—	—	—	—	—	—	TMA11	TAM11	XAM11	XAMI11	XAMD11	LXY
1100	C	—	—	—	TR4AB	TAW2	—	—	—	—	—	—	TMA12	TAM12	XAM12	XAMI12	XAMD12	LXY
1101	D	—	—	—	TPU0A	—	TAW3	—	—	—	—	—	TMA13	TAM13	XAM13	XAMI13	XAMD13	LXY
1110	E	TW1A	—	—	—	TAW4	—	—	—	—	SST	—	TMA14	TAM14	XAM14	XAMI14	XAMD14	LXY
1111	F	TW2A	—	—	—	—	—	—	—	—	ADST	—	TMA15	TAM15	XAM15	XAMI15	XAMD15	LXY

The above table shows the relationship between machine language codes and machine language instructions. D3-D0 show the low-order 4 bits of the machine language code, and D9-D4 show the high-order 6 bits of the machine language code. The hexadecimal representation of the code is also provided. There are one-word instructions and two-word instructions, but only the first word of each instruction is shown. Do not use the code marked "—."

The codes for the second word of a two-word instruction are described below.

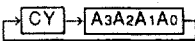
The second Word	
BL	10 paaa aaaa
BML	10 paaa aaaa
BLA	10 pp00 pppp
BMLA	10 pp00 pppp
SEA	00 0111 nnnn
SZD	00 0010 1011

MACHINE INSTRUCTIONS

Parameter Type of instructions	Mnemonic	Instruction code											Hexadecimal notation	Number of words	Number of cycles	Function
		D9	D8	D7	D6	D5	D4	D3	D2	D1	D0					
Register to register transfer	TAB	0	0	0	0	0	1	1	1	1	0	0 1 E	1	1	(A) ← (B)	
	TBA	0	0	0	0	0	0	1	1	1	0	0 0 E	1	1	(B) ← (A)	
	TAY	0	0	0	0	0	1	1	1	1	1	0 1 F	1	1	(A) ← (Y)	
	TYA	0	0	0	0	0	0	1	1	0	0	0 0 C	1	1	(Y) ← (A)	
	TEAB	0	0	0	0	0	1	1	0	1	0	0 1 A	1	1	(E7-E4) ← (B) (E3-E0) ← (A)	
	TABE	0	0	0	0	1	0	1	0	1	0	0 2 A	1	1	(B) ← (E7-E4) (A) ← (E3-E0)	
	TDA	0	0	0	0	1	0	1	0	0	1	0 2 9	1	1	(DR2-DR0) ← (A2-A0)	
	TAD	0	0	0	1	0	1	0	0	0	1	0 5 1	1	1	(A2-A0) ← (DR2-DR0) (A3) ← 0	
	TAZ	0	0	0	1	0	1	0	0	1	1	0 5 3	1	1	(A1, A0) ← (Z1, Z0) (A3, A2) ← 0	
	TAX	0	0	0	1	0	1	0	0	1	0	0 5 2	1	1	(A) ← (X)	
	TASP	0	0	0	1	0	1	0	0	0	0	0 5 0	1	1	(A2-A0) ← (SP2-SP0) (A3) ← 0	
RAM addresses	LXY x, y	1	1	x3	x2	x1	x0	y3	y2	y1	y0	3 x y	1	1	(X) ← x, x = 0 to 15 (Y) ← y, y = 0 to 15	
	LZ z	0	0	0	1	0	0	1	0	z1	z0	0 4 8 + z	1	1	(Z) ← z, z = 0 to 3	
	INY	0	0	0	0	0	1	0	0	1	1	0 1 3	1	1	(Y) ← (Y) + 1	
	DEY	0	0	0	0	0	1	0	1	1	1	0 1 7	1	1	(Y) ← (Y) - 1	
RAM to register transfer	TAM j	1	0	1	1	0	0	j	j	j	j	2 C j	1	1	(A) ← (M(DP)) (X) ← (X)EXOR(j), j = 0 to 15	
	XAM j	1	0	1	1	0	1	j	j	j	j	2 D j	1	1	(A) ← → (M(DP)) (X) ← (X)EXOR(j), j = 0 to 15	
	XAMD j	1	0	1	1	1	1	j	j	j	j	2 F j	1	1	(A) ← → (M(DP)) (X) ← (X)EXOR(j), j = 0 to 15 (Y) ← (Y) - 1	
	XAMI j	1	0	1	1	1	0	j	j	j	j	2 E j	1	1	(A) ← → (M(DP)) (X) ← (X)EXOR(j), j = 0 to 15 (Y) ← (Y) + 1	
	TMA j	1	0	1	0	1	1	j	j	j	j	2 B j	1	1	(M(DP)) ← (A) (X) ← (X)EXOR(j), j = 0 to 15	

Skip condition	Carry flag CY	Detailed description
-	-	Transfers the contents of register B to register A.
-	-	Transfers the contents of register A to register B.
-	-	Transfers the contents of register Y to register A.
-	-	Transfers the contents of register A to register Y.
-	-	Transfers the contents of registers A and B to register E.
-	-	Transfers the contents of register E to registers A and B.
-	-	Transfers the contents of register A to register D.
-	-	Transfers the contents of register D to register A.
-	-	Transfers the contents of register Z to register A.
-	-	Transfers the contents of register X to register A.
-	-	Transfers the contents of stack pointer (SP) to register A.
Continuous description	-	<p>Loads the value x in the immediate field to register X, and the value y in the immediate field to register Y. When the LXY instructions are continuously coded and executed, only the first LXY instruction is executed and other LXY instructions coded continuously are skipped.</p>
-	-	Loads the value z in the immediate field to register Z.
(Y) = 0	--	Adds 1 to the contents of register Y. As a result of addition, when the contents of register Y is 0, the next instruction is skipped.
(Y) = 15	--	Subtracts 1 from the contents of register Y. As a result of subtraction, when the contents of register Y is 15, the next instruction is skipped.
-	-	After transferring the contents of M(DP) to register A, an exclusive OR operation is performed between register X and the value j in the immediate field, and stores the result in register X.
-	-	After exchanging the contents of M(DP) with the contents of register A, an exclusive OR operation is performed between register X and the value j in the immediate field, and stores the result in register X.
(Y) = 15	-	After exchanging the contents of M(DP) with the contents of register A, an exclusive OR operation is performed between register X and the value j in the immediate field, and stores the result in register X. Subtracts 1 from the contents of register Y. As a result of subtraction, when the contents of register Y is 15, the next instruction is skipped.
(Y) = 0	-	After exchanging the contents of M(DP) with the contents of register A, an exclusive OR operation is performed between register X and the value j in the immediate field, and stores the result in register X. Adds 1 to the contents of register Y. As a result of addition, when the contents of register Y is 0, the next instruction is skipped.
-	-	After transferring the contents of register A to M(DP), an exclusive OR operation is performed between register X and the value j in the immediate field, and stores the result in register X.

MACHINE INSTRUCTIONS (continued)

Parameter Type of instructions	Mnemonic	Instruction code										Hexadecimal notation	Number of words	Number of cycles	Function
		D9	D8	D7	D6	D5	D4	D3	D2	D1	D0				
Arithmetic operation	LA n	0	0	0	1	1	1	n	n	n	n	0 7 n	1	1	(A) ← n n = 0 to 15
	TABP p	0	0	1	0	p5	p4	p3	p2	p1	p0	0 8 p +p	1	3	(SP) ← (SP) + 1 (SK(SP)) ← (PC) (PC) ← p (PC) ← (DR2-DR0, A3-A0) (B) ← (ROM(PC))7-4 (A) ← (ROM(PC))3-0 (PC) ← (SK(SP)) (SP) ← (SP) - 1 (Note)
	AM	0	0	0	0	0	0	1	0	1	0	0 0 A	1	1	(A) ← (A) + (M(DP))
	AMC	0	0	0	0	0	0	1	0	1	1	0 0 B	1	1	(A) ← (A) + (M(DP)) + (CY) (CY) ← Carry
	A n	0	0	0	1	1	0	n	n	n	n	0 6 n	1	1	(A) ← (A) + n n = 0 to 15
	AND	0	0	0	0	0	1	1	0	0	0	0 1 8	1	1	(A) ← (A) AND (M(DP))
	OR	0	0	0	0	0	1	1	0	0	1	0 1 9	1	1	(A) ← (A) OR (M(DP))
	SC	0	0	0	0	0	0	0	1	1	1	0 0 7	1	1	(CY) ← 1
	RC	0	0	0	0	0	0	0	1	1	0	0 0 6	1	1	(CY) ← 0
	SZC	0	0	0	0	1	0	1	1	1	1	0 2 F	1	1	(CY) = 0 ?
	CMA	0	0	0	0	0	1	1	1	0	0	0 1 C	1	1	(A) ← (A̅)
RAR	0	0	0	0	0	1	1	1	0	1	0 1 D	1	1		
Bit operation	SB j	0	0	0	1	0	1	1	1	j	j	0 5 C +j	1	1	(Mj(DP)) ← 1 j = 0 to 3
	RB j	0	0	0	1	0	0	1	1	j	j	0 4 C +j	1	1	(Mj(DP)) ← 0 j = 0 to 3
	SZB j	0	0	0	0	1	0	0	0	j	j	0 2 j	1	1	(Mj(DP)) = 0 ? j = 0 to 3
Comparison operation	SEAM	0	0	0	0	1	0	0	1	1	0	0 2 6	1	1	(A) = (M(DP)) ?
	SEA n	0	0	0	0	1	0	0	1	0	1	0 2 5	2	2	(A) = n ? n = 0 to 15
		0	0	0	1	1	1	n	n	n	n	0 7 n			

Note : p is 0 to 63 for M34510E8, p is 0 to 31 for M34510M4A, and p is 0 to 15 for M34510M2A.

Skip condition	Carry flag CY	Detailed description
Continuous description	-	Loads the value n in the immediate field to register A. When the LA instructions are continuously coded and executed, only the first LA instruction is executed and other LA instructions coded continuously are skipped.
-	-	Transfers bits 7 to 4 to register B and bits 3 to 0 to register A. These bits 7 to 0 are the ROM pattern in address $(DR_2 DR_1 DR_0 A_3 A_2 A_1 A_0)_2$ specified by registers A and D in page p. When this instruction is executed, 1 stage of stack register is used.
-	-	Adds the contents of $M(DP)$ to register A. Stores the result in register A. The contents of carry flag CY remains unchanged.
-	0/1	Adds the contents of $M(DP)$ and carry flag CY to register A. Stores the result in register A and carry flag CY.
Overflow = 0	-	Adds the value n in the immediate field to register A. The contents of carry flag CY remains unchanged. Skips the next instruction when there is no overflow as the result of operation.
-	-	Takes the AND operation between the contents of register A and the contents of $M(DP)$, and stores the result in register A.
-	-	Takes the OR operation between the contents of register A and the contents of $M(DP)$, and stores the result in register A.
-	1	Sets (1) to carry flag CY.
-	0	Clears (0) to carry flag CY.
$(CY) = 0$	-	Skips the next instruction when the contents of carry flag CY is "0."
-	-	Stores the one's complement for register A's contents in register A.
-	0/1	Rotates 1 bit of the contents of register A including the contents of carry flag CY to the right.
-	-	Sets (1) the contents of bit j (bit specified by the value j in the immediate field) of $M(DP)$.
-	-	Clears (0) the contents of bit j (bit specified by the value j in the immediate field) of $M(DP)$.
$(M_j(DP)) = 0$ $j = 0$ to 3	-	Skips the next instruction when the contents of bit j (bit specified by the value j in the immediate field) of $M(DP)$ is "0."
$(A) = (M(DP))$	-	Skips the next instruction when the contents of register A is equal to the contents of $M(DP)$.
$(A) = n$	-	Skips the next instruction when the contents of register A is equal to the value n in the immediate field.

MACHINE INSTRUCTIONS (continued)

Parameter Type of instructions	Mnemonic	Instruction code											Hexadecimal notation	Number of words	Number of cycles	Function
		D ₉	D ₈	D ₇	D ₆	D ₅	D ₄	D ₃	D ₂	D ₁	D ₀					
Branch operation	B a	0	1	1	a ₈	a ₅	a ₄	a ₃	a ₂	a ₁	a ₀	1 8 a +a	1	1	(PCL) ← a ₆ -a ₀	
	BL p, a	0	0	1	1	1	p ₄	p ₃	p ₂	p ₁	p ₀	0 E p +p	2	2	(PCH) ← p (PCL) ← a ₆ -a ₀ (Note)	
		1	0	p ₅	a ₆	a ₅	a ₄	a ₃	a ₂	a ₁	a ₀	2 p a +a				
	BLA p	0	0	0	0	0	1	0	0	0	0	0 1 0	2	2	(PCH) ← p (PCL) ← (DR ₂ -DR ₀ , A ₃ -A ₀) (Note)	
1		0	p ₅	p ₄	0	0	p ₃	p ₂	p ₁	p ₀	2 p p					
Subroutine operation	BM a	0	1	0	a ₆	a ₅	a ₄	a ₃	a ₂	a ₁	a ₀	1 a a	1	1	(SP) ← (SP) + 1 (SK(SP)) ← (PC) (PCH) ← 2 (PCL) ← a ₆ -a ₀	
	BML p, a	0	0	1	1	0	p ₄	p ₃	p ₂	p ₁	p ₀	0 C p +p	2	2	(SP) ← (SP) + 1 (SK(SP)) ← (PC) (PCH) ← p (PCL) ← a ₆ -a ₀ (Note)	
		1	0	p ₅	a ₆	a ₅	a ₄	a ₃	a ₂	a ₁	a ₀	2 p a +a				
	BMLA p	0	0	0	0	1	1	0	0	0	0	0 3 0	2	2	(SP) ← (SP) + 1 (SK(SP)) ← (PC) (PCH) ← p (PCL) ← (DR ₂ -DR ₀ , A ₃ -A ₀) (Note)	
1		0	p ₅	p ₄	0	0	p ₃	p ₂	p ₁	p ₀	2 p p					
Return operation	RTI	0	0	0	1	0	0	0	1	1	0	0 4 6	1	1	(PC) ← (SK(SP)) (SP) ← (SP) - 1	
	RT	0	0	0	1	0	0	0	1	0	0	0 4 4	1	2	(PC) ← (SK(SP)) (SP) ← (SP) - 1	
	RTS	0	0	0	1	0	0	0	1	0	1	0 4 5	1	2	(PC) ← (SK(SP)) (SP) ← (SP) - 1	
Interrupt operation	DI	0	0	0	0	0	0	0	1	0	0	0 0 4	1	1	(INTE) ← 0	
	EI	0	0	0	0	0	0	0	1	0	1	0 0 5	1	1	(INTE) ← 1	
	SNZ0	0	0	0	0	1	1	1	0	0	0	0 3 8	1	1	(EXF0) = 1 ? After skipping (EXF0) ← 0	
	SNZ1	0	0	0	0	1	1	1	0	0	1	0 3 9	1	1	(EXF1) = 1 ? After skipping (EXF1) ← 0	

Note : p is 0 to 63 for M34510E8, p is 0 to 31 for M34510M4A, and p is 0 to 15 for M34510M2A.

Skip condition	Carry flag CY	Detailed description
-	-	Branch within a page : Branches to address a in the identical page.
-	-	Branch out of a page : Branches to address a in page p.
-	-	Branch out of a page : Branches to address (DR ₂ DR ₁ DR ₀ A ₃ A ₂ A ₁ A ₀) ₂ specified by registers D and A in page p.
-	-	Call the subroutine in page 2 : Calls the subroutine at address a in page 2.
-	-	Call the subroutine : Calls the subroutine at address a in page p.
-	-	Call the subroutine : Calls the subroutine at address (DR ₂ DR ₁ DR ₀ A ₃ A ₂ A ₁ A ₀) ₂ specified by registers D and A in page p.
-	-	Returns from interrupt service routine to main routine. Returns each value of data pointer (X, Y, Z), carry flag, skip status, NOP mode status by the continuous description of the LA/LXY instruction, register A and register B to the states just before interrupt.
Skip at uncondition	-	Returns from subroutine to the routine called the subroutine.
-	-	Returns from subroutine to the routine called the subroutine, and skips the next instruction at uncondition.
-	-	Clears (0) to the interrupt enable flag INTE, and disables the interrupt.
(EXF0) = 1	-	Sets (1) to the interrupt enable flag INTE, and enables the interrupt.
(EXF1) = 1	-	Skips the next instruction when the contents of EXF0 flag is "1." After skipping, clears the EXF0 flag.
	-	Skips the next instruction when the contents of EXF1 flag is "1." After skipping, clears the EXF1 flag.

MACHINE INSTRUCTIONS (continued)

Parameter Type of Instructions	Mnemonic	Instruction code											Hexadecimal notation	Number of words	Number of cycles	Function
		D9	D8	D7	D6	D5	D4	D3	D2	D1	D0					
Interrupt operation	SNZI0	0	0	0	0	1	1	1	0	1	0	0 3 A	1	1	I12 = 1 : (INT0) = "H" ? I12 = 0 : (INT0) = "L" ?	
	SNZI1	0	0	0	0	1	1	1	0	1	1	0 3 B	1	1	I23 = 1 : (INT1) = "H" ? I23 = 0 : (INT1) = "L" ?	
	TAV1	0	0	0	1	0	1	0	1	0	0	0 5 4	1	1	(A) ← (V1)	
	TV1A	0	0	0	0	1	1	1	1	1	1	0 3 F	1	1	(V1) ← (A)	
	TAV2	0	0	0	1	0	1	0	1	0	1	0 5 5	1	1	(A) ← (V2)	
	TV2A	0	0	0	0	1	1	1	1	1	0	0 3 E	1	1	(V2) ← (A)	
	TAI1	1	0	0	1	0	1	0	0	1	1	2 5 3	1	1	(A) ← (I1)	
	TI1A	1	0	0	0	0	1	0	1	1	1	2 1 7	1	1	(I1) ← (A)	
	TAI2	1	0	0	1	0	1	0	1	0	0	2 5 4	1	1	(A) ← (I2)	
TI2A	1	0	0	0	0	1	1	0	0	0	2 1 8	1	1	(I2) ← (A)		
Timer operation	TAW1	1	0	0	1	0	0	1	0	1	1	2 4 B	1	1	(A) ← (W1)	
	TW1A	1	0	0	0	0	0	1	1	1	0	2 0 E	1	1	(W1) ← (A)	
	TAW2	1	0	0	1	0	0	1	1	0	0	2 4 C	1	1	(A) ← (W2)	
	TW2A	1	0	0	0	0	0	1	1	1	1	2 0 F	1	1	(W2) ← (A)	
	TAW3	1	0	0	1	0	0	1	1	0	1	2 4 D	1	1	(A) ← (W3)	
	TW3A	1	0	0	0	0	1	0	0	0	0	2 1 0	1	1	(W3) ← (A)	
	TAW4	1	0	0	1	0	0	1	1	1	0	2 4 E	1	1	(A) ← (W4)	
	TW4A	1	0	0	0	0	1	0	0	0	1	2 1 1	1	1	(W4) ← (A)	
	TAW6	1	0	0	1	0	1	0	0	0	0	2 5 0	1	1	(A) ← (W6)	
	TW6A	1	0	0	0	0	1	0	0	1	1	2 1 3	1	1	(W6) ← (A)	

Skip condition	Carry flag CY	Detailed description
(INT0) = "H" However, I12 = 1	-	When bit 2 (I12) of register I1 is "1" : Skips the next instruction when the level of INT0 pin is "H."
(INT0) = "L" However, I12 = 0	-	When bit 2 (I12) of register I1 is "0" : Skips the next instruction when the level of INT0 pin is "L."
(INT1) = "H" However, I23 = 1	-	When bit 3 (I23) of register I2 is "1" : Skips the next instruction when the level of INT1 pin is "H."
(INT1) = "L" However, I23 = 0	-	When bit 3 (I23) of register I2 is "0" : Skips the next instruction when the level of INT1 pin is "L."
-	-	Transfers the contents of interrupt control register V1 to register A.
-	-	Transfers the contents of register A to interrupt control register V1.
-	-	Transfers the contents of interrupt control register V2 to register A.
-	-	Transfers the contents of register A to interrupt control register V2.
-	-	Transfers the contents of interrupt control register I1 to register A.
-	-	Transfers the contents of register A to interrupt control register I1.
-	-	Transfers the contents of interrupt control register I2 to register A.
-	-	Transfers the contents of register A to interrupt control register I2.
-	-	Transfers the contents of timer control register W1 to register A.
-	-	Transfers the contents of register A to timer control register W1.
-	-	Transfers the contents of timer control register W2 to register A.
-	-	Transfers the contents of register A to timer control register W2.
-	-	Transfers the contents of timer control register W3 to register A.
-	-	Transfers the contents of register A to timer control register W3.
-	-	Transfers the contents of timer control register W4 to register A.
-	-	Transfers the contents of register A to timer control register W4.
-	-	Transfers the contents of timer control register W6 to register A.
-	-	Transfers the contents of register A to timer control register W6.

MACHINE INSTRUCTIONS (continued)

Parameter Type of instructions	Mnemonic	Instruction code										Hexadecimal notation	Number of words	Number of cycles	Function
		D ₉	D ₈	D ₇	D ₆	D ₅	D ₄	D ₃	D ₂	D ₁	D ₀				
Timer operation	TAB1	1	0	0	1	1	1	0	0	0	0	2 7 0	1	1	(B) ← (T17-T14) (A) ← (T13-T10)
	T1AB	1	0	0	0	1	1	0	0	0	0	2 3 0	1	1	(R17-R14) ← (B) (T17-T14) ← (B) (R13-R10) ← (A) (T13-T10) ← (A)
	TAB2	1	0	0	1	1	1	0	0	0	1	2 7 1	1	1	(B) ← (T27-T24) (A) ← (T23-T20)
	T2AB	1	0	0	0	1	1	0	0	0	1	2 3 1	1	1	(R27-R24) ← (B) (T27-T24) ← (B) (R23-R20) ← (A) (T23-T20) ← (A)
	TAB3	1	0	0	1	1	1	0	0	1	0	2 7 2	1	1	(B) ← (T37-T34) (A) ← (T33-T30)
	T3AB	1	0	0	0	1	1	0	0	1	0	2 3 2	1	1	(R37-R34) ← (B) (T37-T34) ← (B) (R33-R30) ← (A) (T33-T30) ← (A)
	TAB4	1	0	0	1	1	1	0	0	1	1	2 7 3	1	1	(B) ← (T47-T44) (A) ← (T43-T40)
	T4AB	1	0	0	0	1	1	0	0	1	1	2 3 3	1	1	(R47-R44) ← (B) (T47-T44) ← (B) (R43-R40) ← (A) (T43-T40) ← (A)
	TR4AB	1	0	0	0	1	1	1	1	0	0	2 3 C	1	1	(R47-R44) ← (B) (R43-R40) ← (A)
	SNZT1	1	0	1	0	0	0	0	0	0	0	2 8 0	1	1	(T1F) = 1 ? After skipping (T1F) ← 0
	SNZT2	1	0	1	0	0	0	0	0	0	1	2 8 1	1	1	(T2F) = 1 ? After skipping (T2F) ← 0
	SNZT3	1	0	1	0	0	0	0	0	1	0	2 8 2	1	1	(T3F) = 1 ? After skipping (T3F) ← 0
	SNZT4	1	0	1	0	0	0	0	0	1	1	2 8 3	1	1	(T4F) = 1 ? After skipping (T4F) ← 0

Skip condition	Carry flag CY	Detailed description
-	-	Transfers the contents of timer 1 to registers A and B.
-	-	Transfers the contents of registers A and B to timer 1 and timer 1 reload register.
-	-	Transfers the contents of timer 2 to registers A and B.
-	-	Transfers the contents of registers A and B to timer 2 and timer 2 reload register.
-	-	Transfers the contents of timer 3 to registers A and B.
-	-	Transfers the contents of registers A and B to timer 3 and timer 3 reload register.
-	-	Transfers the contents of timer 4 to registers A and B.
-	-	Transfers the contents of registers A and B to timer 4 and timer 4 reload register.
-	-	Transfers the contents of registers A and B to timer 4 reload register.
(T1F) = 1	-	Skips the next instruction when the contents of T1F flag is "1." After skipping, clears T1F flag.
(T2F) = 1	-	Skips the next instruction when the contents of T2F flag is "1." After skipping, clears T2F flag.
(T3F) = 1	-	Skips the next instruction when the contents of T3F flag is "1." After skipping, clears T3F flag.
(T4F) = 1	-	Skips the next instruction when the contents of T4F flag is "1." After skipping, clears T4F flag.

MACHINE INSTRUCTIONS (continued)

Parameter Type of instructions	Mnemonic	Instruction code										Hexadecimal notation	Number of words	Number of cycles	Function
		D ₉	D ₈	D ₇	D ₆	D ₅	D ₄	D ₃	D ₂	D ₁	D ₀				
Input/Output operation	IAP0	1	0	0	1	1	0	0	0	0	0	2 6 0	1	1	(A) ← (P0)
	OP0A	1	0	0	0	1	0	0	0	0	0	2 2 0	1	1	(P0) ← (A)
	IAP1	1	0	0	1	1	0	0	0	0	1	2 6 1	1	1	(A) ← (P1)
	OP1A	1	0	0	0	1	0	0	0	0	1	2 2 1	1	1	(P1) ← (A)
	IAP2	1	0	0	1	1	0	0	0	1	0	2 6 2	1	1	(A ₁ -A ₀) ← (P ₂₁ -P ₂₀) (A ₃ , A ₂) ← 0
	IAP3	1	0	0	1	1	0	0	0	1	1	2 6 3	1	1	(A) ← (P3)
	OP3A	1	0	0	0	1	0	0	0	1	1	2 2 3	1	1	(P3) ← (A)
	CLD	0	0	0	0	0	1	0	0	0	1	0 1 1	1	1	(D) ← 1
	RD	0	0	0	0	0	1	0	1	0	0	0 1 4	1	1	(D(Y)) ← 0 (Y) = 0 to 9
	SD	0	0	0	0	0	1	0	1	0	1	0 1 5	1	1	(D(Y)) ← 1 (Y) = 0 to 9
	SZD	0	0	0	0	1	0	0	1	0	0	0 2 4	2	2	(D(Y)) = 0 ? (Y) = 0 to 9
		0	0	0	0	1	0	1	0	1	1	0 2 B			
	TK0A	1	0	0	0	0	1	1	0	1	1	2 1 B	1	1	(K0) ← (A)
	TAK0	1	0	0	1	0	1	0	1	1	0	2 5 6	1	1	(A) ← (K0)
TPU0A	1	0	0	0	1	0	1	1	0	1	2 2 D	1	1	(PU0) ← (A)	
TAPU0	1	0	0	1	0	1	0	1	1	1	2 5 7	1	1	(A) ← (PU0)	
Serial I/O control operation	TABSI	1	0	0	1	1	1	1	0	0	0	2 7 8	1	1	(A) ← (S13-S10) (B) ← (S17-S14)
	TSIAB	1	0	0	0	1	1	1	0	0	0	2 3 8	1	1	(S13-S10) ← (A) (S17-S14) ← (B)
	TAJ1	1	0	0	1	0	0	0	0	1	0	2 4 2	1	1	(A) ← (J1)
	TJ1A	1	0	0	0	0	0	0	0	1	0	2 0 2	1	1	(J1) ← (A)
	SST	1	0	1	0	0	1	1	1	1	0	2 9 E	1	1	(SIOF) ← 0 Serial I/O starting
	SNZSI	1	0	1	0	0	0	1	0	0	0	2 8 8	1	1	(SIOF) = 1 ? After skipping (SIOF) ← 0

Skip condition	Carry flag CY	Detailed description
-	-	Transfers the input of port P0 to register A.
-	-	Outputs the contents of register A to port P0.
-	-	Transfers the input of port P1 to register A.
-	-	Outputs the contents of register A to port P1.
-	-	Transfers the input of port P2 to register A.
-	-	Transfers the input of port P3 to register A.
-	-	Outputs the contents of register A to port P3.
-	-	Sets (1) to port D.
-	-	Clears (0) to a bit of port D specified by register Y.
-	-	Sets (1) to a bit of port D specified by register Y.
(D(Y)) = 0 (Y) = 0 to 9	-	Skips the next instruction when a bit of port D specified by register Y is "0."
-	-	Transfers the contents of register A to key-on wakeup control register K0.
-	-	Transfers the contents of key-on wakeup control register K0 to register A.
-	-	Transfers the contents of register A to pull-up control register PU0.
-	-	Transfers the contents of pull-up control register PU0 to register A.
-	-	Transfers the contents of serial I/O register SI to registers A and B.
-	-	Transfers the contents of registers A and B to serial I/O register SI.
-	-	Transfers the contents of serial I/O mode register J1 to register A.
-	-	Transfers the contents of register A to serial I/O mode register J1.
-	-	Clears (0) to SIOF flag and starts serial I/O.
(SIOF) = 1	-	Skips the next instruction when the contents of SIOF flag is "1." After skipping, clears (0) to SIOF flag.

MACHINE INSTRUCTIONS (continued)

Parameter Type of instructions	Mnemonic	Instruction code										Hexadecimal notation	Number of words	Number of cycles	Function
		D ₉	D ₈	D ₇	D ₆	D ₅	D ₄	D ₃	D ₂	D ₁	D ₀				
A-D conversion operation	TABAD	1	0	0	1	1	1	1	0	0	1	2 7 9	1	1	(A) ← (AD ₃ -AD ₀) (B) ← (AD ₇ -AD ₄)
	TADAB	1	0	0	0	1	1	1	0	0	1	2 3 9	1	1	(AD ₃ -AD ₀) ← (A) (AD ₇ -AD ₄) ← (B)
	TAQ1	1	0	0	1	0	0	0	1	0	0	2 4 4	1	1	(A) ← (Q ₁)
	TQ1A	1	0	0	0	0	0	0	1	0	0	2 0 4	1	1	(Q ₁) ← (A)
	ADST	1	0	1	0	0	1	1	1	1	1	2 9 F	1	1	(ADF) ← 0 A-D conversion starting
	SNZAD	1	0	1	0	0	0	0	1	1	1	2 8 7	1	1	(ADF) = 1 ? After skipping, (ADF) ← 0
	TAQ2	1	0	0	1	0	0	0	1	0	1	2 4 5	1	1	(A) ← (Q ₂)
	TQ2A	1	0	0	0	0	0	0	1	0	1	2 0 5	1	1	(Q ₂) ← (A)
Other operation	NOP	0	0	0	0	0	0	0	0	0	0	0 0 0	1	1	(PC) ← (PC) + 1
	POF	0	0	0	0	0	0	0	0	1	0	0 0 2	1	1	RAM back-up
	EPOF	0	0	0	1	0	1	1	0	1	1	0 5 B	1	1	POF instruction valid
	SNZP	0	0	0	0	0	0	0	0	1	1	0 0 3	1	1	(P) = 1 ?
	WRST	1	0	1	0	1	0	0	0	0	0	2 A 0	1	1	(WDF) ← 0, (WEF) ← 1 (WDT) ← FFFF ₁₆
	RTPS	1	0	1	0	1	0	0	0	0	1	2 A 1	1	1	(RTP) ← 1
	RTPR	1	0	1	0	1	0	0	0	1	0	2 A 2	1	1	(RTP) ← 0
	TRTPA	1	0	0	0	0	1	1	0	0	1	2 1 9	1	1	(RTP) ← (A ₀)
	TRTRA	1	0	1	0	0	1	0	0	0	1	2 9 1	1	1	(RTR ₁ , RTR ₀) ← (A ₁ , A ₀)
	TVLRA	1	0	1	0	0	1	0	0	0	0	2 9 0	1	1	(VLR) ← (A ₀)

Skip condition	Carry flag CY	Detailed description
(ADF) = 1	-	Transfers the contents of register AD (comparator register at the comparator mode) to registers A and B.
	-	Transfers the contents of registers A and B to the comparator register at the comparator mode.
	-	Transfers the contents of the A-D control register Q1 to register A.
	-	Transfers the contents of register A to the A-D control register Q1.
	-	Clears the ADF flag, and the A-D conversion at the A-D conversion mode or the comparator operation at the comparator mode is started.
	-	Skips the next instruction when the contents of ADF flag is "1". After skipping, clears (0) the contents of ADF flag.
	-	Transfers the contents of the A-D control register Q2 to register A.
	-	Transfers the contents of register A to the A-D control register Q2.
(P) = 1	-	No operation
	-	Puts the system in RAM back-up state by executing the POF instruction after executing the EPOF instruction.
	-	Makes the immediate POF instruction by executing the EPOF instruction.
	-	Skips the next instruction when P flag is "1". After skipping, P flag remains unchanged.
	-	Operates the watchdog timer and initializes the watchdog timer flag WDF and the watchdog timer WDT.
	-	Sets (1) the real time output latch RTP.
	-	Clears (0) the real time output latch RTP.
	-	Transfers the contents of register A to the real time output register RTP.
-	Transfers the contents of register A to the real time output control register RTR.	
-	Transfers the contents of register A to the voltage drop detection circuit control register VLR.	

CONTROL REGISTERS

Interrupt control register V1		at reset : 0000 ₂	at RAM back-up : 0000 ₂	R/W
V1 ₃	Timer 2 interrupt enable bit	0	Interrupt disabled (SNZT2 instruction is valid)	
		1	Interrupt enabled (SNZT2 instruction is invalid)	
V1 ₂	Timer 1 interrupt enable bit	0	Interrupt disabled (SNZT1 instruction is valid)	
		1	Interrupt enabled (SNZT1 instruction is invalid)	
V1 ₁	External 1 interrupt enable bit	0	Interrupt disabled (SNZ1 instruction is valid)	
		1	Interrupt enabled (SNZ1 instruction is invalid)	
V1 ₀	External 0 interrupt enable bit	0	Interrupt disabled (SNZ0 instruction is valid)	
		1	Interrupt enabled (SNZ0 instruction is invalid)	
Interrupt control register V2		at reset : 0000 ₂	at RAM back-up : 0000 ₂	R/W
V2 ₃	Serial I/O interrupt enable bit	0	Interrupt disabled (SNZSI instruction is valid)	
		1	Interrupt enabled (SNZSI instruction is invalid)	
V2 ₂	A-D interrupt enable bit	0	Interrupt disabled (SNZAD instruction is valid)	
		1	Interrupt enabled (SNZAD instruction is invalid)	
V2 ₁	Timer 4 interrupt enable bit	0	Interrupt disabled (SNZT4 instruction is valid)	
		1	Interrupt enabled (SNZT4 instruction is invalid)	
V2 ₀	Timer 3 interrupt enable bit	0	Interrupt disabled (SNZT3 instruction is valid)	
		1	Interrupt enabled (SNZT3 instruction is invalid)	
Interrupt control register I1		at reset : 0000 ₂	at RAM back-up : state retained	R/W
I1 ₃	D ₆ /INT0/ZEROX pin function selection bit	0	INT0/D ₆ (input/output)	
		1	ZEROX/D ₆ (input/output)	
I1 ₂	Interrupt valid waveform for INT0 pin/return level selection bit (Note 2)	0	Falling waveform ("L" level of INT0 pin is recognized with the SNZI0 instruction)/"L" level	
		1	Rising waveform ("H" level of INT0 pin is recognized with the SNZI0 instruction)/"H" level	
I1 ₁	Edge detection circuit control bit	0	One-sided edge detected	
		1	Both edges detected	
I1 ₀	Noise elimination circuit control bit	0	Disabled	
		1	Enabled	
Interrupt control register I2		at reset : 0000 ₂	at RAM back-up : state retained	R/W
I2 ₃	Interrupt valid waveform for INT1 pin selection bit (Note 2)	0	Falling waveform ("L" level of INT1 pin is recognized with the SNZI1 instruction.)	
		1	Rising waveform ("H" level of INT1 pin is recognized with the SNZI1 instruction.)	
I2 ₂	Zero cross input flag control bit	0	Zero cross input flag cleared (set impossible)	
		1	Zero cross input flag set possible	
I2 ₁	Noise elimination circuit sampling clock control bit	0	Stop	
		1	Operating	
I2 ₀	Noise elimination circuit sampling clock selection bit	0	Instruction clock divided by 8	
		1	Instruction clock divided by 32	

Notes 1: "R" represents read enabled, and "W" represents write enabled.

2: When the contents of I1₂ and I2₃ are changed, the external interrupt request flags EXF0 and EXF1 may be set, respectively. Accordingly, clear the EXF0 and EXF1 flags to "0" with the SNZ0 and SNZ1 instructions, respectively.

CONTROL REGISTERS (continued)

Timer control register W1		at reset : 0000 ₂	at RAM back-up : 0000 ₂	R/W
W1 ₃	Prescaler control bit	0	Stop (state initialized)	
		1	Operating	
W1 ₂	Prescaler dividing ratio selection bit	0	Instruction clock divided by 2	
		1	Instruction clock divided by 4	
W1 ₁	Timer 1 control bit	0	Stop (state retained)	
		1	Operating	
W1 ₀	Not used	0	This bit has no function, but read/write is enabled.	
		1		
Timer control register W2		at reset : 0000 ₂	at RAM back-up : state retained	R/W
W2 ₃	Timer 2 control bit	0	Stop (state retained)	
		1	Operating	
W2 ₂	Not used	0	This bit has no function, but read/write is enabled.	
		1		
W2 ₁	Timer 2 count source selection bits	W2 ₁ W2 ₀ Count source		
		0	0	Timer 1 underflow signal
0		1	Prescaler output	
W2 ₀		1	0	CNTR input
	1	1	Not available	
Timer control register W3		at reset : 0000 ₂	at RAM back-up : state retained	R/W
W3 ₃	Timer 3 control bit	0	Stop (state retained)	
		1	Operating	
W3 ₂	Timer 3 count start synchronous circuit control bit	0	Count start synchronous circuit not selected	
		1	Count start synchronous circuit selected	
W3 ₁	Timer 3 count source selection bits	W3 ₁ W3 ₀ Count source		
		0	0	Timer 2 underflow signal
0		1	Prescaler output	
W3 ₀		1	0	Not available
	1	1	Not available	
Timer control register W4		at reset : 0000 ₂	at RAM back-up : state retained	R/W
W4 ₃	Timer 4 control bit	0	Stop (state retained)	
		1	Operating	
W4 ₂	Not used	0	This bit has no function, but read/write is enabled.	
		1		
W4 ₁	Timer 4 count source selection bits	W4 ₁ W4 ₀ Count source		
		0	0	Timer 3 underflow signal
0		1	Prescaler output	
W4 ₀		1	0	CNTR input
	1	1	Not available	
Timer control register W6		at reset : 0000 ₂	at RAM back-up : state retained	R/W
W6 ₃	Not used	0	This bit has no function, but read/write is enabled.	
		1		
W6 ₂	CNTR output control bit	0	Output stop	
		1	Output	
W6 ₁	CNTR output selection bit	0	Timer 1 underflow signal divided by 2	
		1	X _{IN} divided by 2	
W6 ₀	D ₇ /CNTR function selection bit	0	D ₇ (I/O)/CNTR input	
		1	CNTR output/D ₇ (input)	

Note: "R" represents read enabled, and "W" represents write enabled.

CONTROL REGISTERS (continued)

Serial I/O mode register J1		at reset : 0000 ₂		at RAM back-up : state retained		R/W
J13	Not used	0	This bit has no function, but read/write is enabled.			
		1				
J12	Serial I/O internal clock dividing ratio selection bit	0	Instruction clock signal divided by 8			
		1	Instruction clock signal divided by 4			
J11	Serial I/O port selection bit	0	I/O ports D ₈ , D ₉ , and input port P2 ₀ selected			
		1	Serial I/O ports Sck, Sout and Sin/input ports D ₈ , D ₉ and P2 ₀ selected			
J10	Serial I/O synchronous clock selection bit	0	External clock			
		1	Internal clock (instruction clock divided by 4 or 8)			
A-D control register Q1		at reset : 0000 ₂		at RAM back-up : state retained		R/W
Q13	A-D operating mode control bit	0	A-D conversion mode			
		1	Comparator mode			
Q12	Analog input pin selection bits (Note 2)	Q12 Q11		Selected pins		
		0	0	0	A _{IN0}	
		0	0	1	A _{IN1}	
		0	1	0	A _{IN2}	
Q11	Analog input pin selection bits (Note 2)	0	1	1	A _{IN3}	
		1	0	0	Not available	
Q10	Analog input pin selection bits (Note 2)	1	0	1	Not available	
		1	1	0	Not available	
Q10	Analog input pin selection bits (Note 2)	1	1	1	Not available	
		1	1	1	Not available	
A-D control register Q2		at reset : 0000 ₂		at RAM back-up : state retained		R/W
Q23	Not used	0	This bit has no function, but read/write is enabled.			
		1				
Q22	P3 ₃ /A _{IN3} and P3 ₂ /A _{IN2} pin function selection bit	0	P3 ₃ , P3 ₂ (I/O)			
		1	A _{IN3} , A _{IN2} /P3 ₃ , P3 ₂ (output)			
Q21	P3 ₁ /A _{IN1} pin function selection bit	0	P3 ₁ (I/O)			
		1	A _{IN1} /P3 ₁ (output)			
Q20	P3 ₀ /A _{IN0} pin function selection bit	0	P3 ₀ (I/O)			
		1	A _{IN0} /P3 ₀ (output)			

Notes 1: "R" represents read enabled, "W" represents write enabled.

2: Select A_{IN0}-A_{IN3} with register Q1 after setting register Q2.

CONTROL REGISTERS (continued)

Key-on wakeup control register K0		at reset : 0000 ₂	at RAM back-up : state retained	R/W
K0 ₃	Pins P1 ₂ and P1 ₃ key-on wakeup control bit	0	Key-on wakeup not used	
		1	Key-on wakeup used	
K0 ₂	Pins P1 ₀ and P1 ₁ key-on wakeup control bit	0	Key-on wakeup not used	
		1	Key-on wakeup used	
K0 ₁	Pins P0 ₂ and P0 ₃ key-on wakeup control bit	0	Key-on wakeup not used	
		1	Key-on wakeup used	
K0 ₀	Pins P0 ₀ and P0 ₁ key-on wakeup control bit	0	Key-on wakeup not used	
		1	Key-on wakeup used	
Pull-up control register PU0		at reset : 0000 ₂	at RAM back-up : state retained	R/W
PU0 ₃	Pins P1 ₂ and P1 ₃ pull-up transistor control bit	0	Pull-up transistor OFF	
		1	Pull-up transistor ON	
PU0 ₂	Pins P1 ₀ and P1 ₁ pull-up transistor control bit	0	Pull-up transistor OFF	
		1	Pull-up transistor ON	
PU0 ₁	Pins P0 ₂ and P0 ₃ pull-up transistor control bit	0	Pull-up transistor OFF	
		1	Pull-up transistor ON	
PU0 ₀	Pins P0 ₀ and P0 ₁ pull-up transistor control bit	0	Pull-up transistor OFF	
		1	Pull-up transistor ON	
Voltage drop detection circuit control register VLR		at reset : 0 ₂	at RAM back-up : state retained	W
VLR ₀	Voltage drop detection circuit control bit	0	Voltage drop detection circuit stop	
		1	Voltage drop detection circuit operating	
Real time output control register RTR		at reset : 00 ₂	at RAM back-up : state retained	W
RTR ₁	D ₅ /real time output function selection bit	0	D ₅ (I/O)	
		1	Real time output/D ₅ (input)	
RTR ₀	D ₄ /real time output function selection bit	0	D ₄ (I/O)	
		1	Real time output/D ₄ (input)	

Note: "R" represents read enabled, and "W" represents write enabled.

ABSOLUTE MAXIMUM RATINGS

Symbol	Parameter	Conditions	Ratings	Unit	
V _{DD}	Supply voltage		-0.3 to 7.0	V	
V _I	Input voltage P0, P1, P2, P3, RESET, X _{IN}		-0.3 to V _{DD} +0.3	V	
V _I	Input voltage D ₀ -D ₅ , D ₇ -D ₉		-0.3 to 13	V	
V _I	Input voltage A _{IN0} -A _{IN3} , V _{REF}		-0.3 to V _{DD} +0.3	V	
V _I	Input voltage D ₆ /INT0/ZEROX		-0.7 to V _{DD} +0.7	V	
i _I	Input current D ₆ /INT0/ZEROX		-100 to 100	μA	
V _O	Output voltage D ₆	Output transistors in cut-off state	-0.7 to V _{DD} +0.7	V	
V _O	Output voltage P0, P1, P3, RESET		-0.3 to V _{DD} +0.3	V	
V _O	Output voltage D ₀ -D ₅ , D ₇ -D ₉		-0.3 to 13	V	
V _O	Output voltage X _{OUT}		-0.3 to V _{DD} +0.3	V	
P _d	Power dissipation	T _a = 25 °C	M34510MxA-XXXSP	1100	mW
			M34510MxA-XXXFP	300	
T _{opr}	Operating temperature range	(Note)	-20 to 85	°C	
T _{stg}	Storage temperature range		-40 to 125	°C	

Note: -20 °C to 70 °C for the M34510E8SS.

NOTE ON THE ZERO CROSS INPUT

The high-voltage is supplied to V_{DD} and V_{SS} through a parasitic diode in the microcomputer when the high-voltage is applied to port D₆ while V_{DD} and V_{SS} are open. Apply the voltage applied to port D₆ within the limits of -0.7 V to 7.7 V in order to prevent the destruction of a microcomputer by applying the high-voltage. And keep the current to port D₆ within the limits of -100 μA to 100 μA.

RECOMMENDED OPERATING CONDITIONS 1

(Mask ROM version: Ta = -20 °C to 85 °C, VDD = 2.0 V to 5.5 V, unless otherwise noted)

(One Time PROM version: Ta = -20 °C to 85 °C, VDD = 2.5 V to 5.5 V, unless otherwise noted)

(Built-in EPROM version: Ta = -20 °C to 70 °C, VDD = 2.5 V to 5.5 V, unless otherwise noted)

Symbol	Parameter	Conditions	Limits			Unit	
			Min.	Typ.	Max.		
VDD	Supply voltage (Note 1) (Note 2) (Note 3)	Mask ROM version	f(XIN) ≤ 6.0 MHz	4.5	5.0	5.5	V
			f(XIN) ≤ 4.0 MHz	4.0		5.5	
			f(XIN) ≤ 2.0 MHz	2.5		5.5	
		One Time PROM version Built-in EPROM version	f(XIN) ≤ 1.5 MHz	2.0		5.5	
			f(XIN) ≤ 6.0 MHz	4.5	5.0	5.5	
			f(XIN) ≤ 4.0 MHz	4.0		5.5	
V _{RAM}	RAM back-up voltage (at RAM back-up mode)	Mask ROM version			5.5	V	
		One Time PROM version	1.8				
		Built-in EPROM version	2.0		5.5		
V _{SS}	Supply voltage			0		V	
V _{IH}	"H" level input voltage	P0, P1, P2, P3, D6, XIN	0.8V _{DD}		V _{DD}	V	
V _{IH}	"H" level input voltage	D0-D5, D7-D9	0.8V _{DD}		12	V	
V _{IH}	"H" level input voltage	RESET	0.85V _{DD}		V _{DD}	V	
V _{IH}	"H" level input voltage	CNTR, SIN, SCK, INT0, INT1	0.85V _{DD}		V _{DD}	V	
V _{IL}	"L" level input voltage	P0, P1, P2, P3, D0-D9, XIN	0		0.2V _{DD}	V	
V _{IL}	"L" level input voltage	RESET	0		0.1V _{DD}	V	
V _{IL}	"L" level input voltage	CNTR, SIN, SCK, INT0, INT1	0		0.15V _{DD}	V	
I _{OL} (peak)	"L" level peak output current	P3, RESET			10	mA	
I _{OL} (peak)	"L" level peak output current	D4, D5			40	mA	
I _{OL} (peak)	"L" level peak output current	D0-D3, D6-D9			24	mA	
I _{OL} (peak)	"L" level peak output current	P0, P1			24	mA	
I _{OL} (avg)	"L" level average output current	P3, RESET			5	mA	
I _{OL} (avg)	"L" level average output current	D4, D5			30	mA	
I _{OL} (avg)	"L" level average output current	D0-D3, D6-D9			15	mA	
I _{OL} (avg)	"L" level average output current	P0, P1			12	mA	
ΣI _{OL} (avg)	"L" level total average current	D, RESET			80	mA	
ΣI _{OL} (avg)	"L" level total average current	P0, P1, P3			60	mA	

Notes 1: When using the A-D converter, refer to the recommended operating conditions for the A-D converter.

2: When using the zero cross detection circuit, refer to the recommended operating conditions for the zero cross detection circuit.

3: When using the voltage drop detection circuit, refer to the recommended operating conditions for the voltage drop detection circuit.

RECOMMENDED OPERATING CONDITIONS 2

(Mask ROM version: Ta = -20 °C to 85 °C, VDD = 2.0 V to 5.5 V, unless otherwise noted)

(One Time PROM version: Ta = -20 °C to 85 °C, VDD = 2.5 V to 5.5 V, unless otherwise noted)

(Built-in EPROM version: Ta = -20 °C to 70 °C, VDD = 2.5 V to 5.5 V, unless otherwise noted)

Symbol	Parameter	Conditions	Limits			Unit	
			Min.	Typ.	Max.		
f(XIN)	System clock frequency (with a ceramic resonator) (Note 1) (Note 2) (Note 3)	Mask ROM version	VDD = 4.5 V to 5.5 V		6.0	MHz	
			VDD = 4.0 V to 5.5 V		4.0		
			VDD = 2.5 V to 5.5 V		2.0		
		One Time PROM version Built-in EPROM version	VDD = 2.0 V to 5.5 V		1.5		
			VDD = 4.5 V to 5.5 V		6.0		
			VDD = 4.0 V to 5.5 V		4.0		
f(XIN)	System clock frequency (with external clock input) (Note 1) (Note 2) (Note 3)	Mask ROM version	Duty ratio	VDD = 4.5 V to 5.5 V		4.0	
				VDD = 4.0 V to 5.5 V			3.0
				VDD = 2.5 V to 5.5 V			
		One Time PROM version Built-in EPROM version	Duty ratio	VDD = 2.0 V to 5.5 V		0.8	
				VDD = 4.5 V to 5.5 V			4.0
				VDD = 4.0 V to 5.5 V			
tw(SCK)	Serial I/O external clock period ("H" and "L" pulse width)	Mask ROM version	VDD = 4.5 V to 5.5 V		500	ns	
			VDD = 4.0 V to 5.5 V		750		
			VDD = 2.5 V to 5.5 V		1.5		
		One Time PROM version Built-in EPROM version	VDD = 2.0 V to 5.5 V		2.0	μs	
			VDD = 4.5 V to 5.5 V		500		
			VDD = 4.0 V to 5.5 V		750		
tw(CNTR)	Timer external input period ("H" and "L" pulse width)	Mask ROM version	VDD = 2.5 V to 5.5 V		1.5	μs	
			VDD = 2.0 V to 5.5 V		2.0		
			VDD = 4.5 V to 5.5 V		500		
		One Time PROM version Built-in EPROM version	VDD = 4.0 V to 5.5 V		750	ns	
			VDD = 4.0 V to 5.5 V		750		
			VDD = 2.5 V to 5.5 V		1.5		

Notes 1: When using the A-D converter, refer to the recommended operating conditions for the A-D converter.

2: When using the zero cross detection circuit, refer to the recommended operating conditions for the zero cross detection circuit.

3: When using the voltage drop detection circuit, refer to the recommended operating conditions for the voltage drop detection circuit.

ELECTRICAL CHARACTERISTICS

(Mask ROM version: Ta = -20 °C to 85 °C, VDD = 2.0 V to 5.5 V, unless otherwise noted)

(One Time PROM version: Ta = -20 °C to 85 °C, VDD = 2.5 V to 5.5 V, unless otherwise noted)

(Built-in EPROM version: Ta = -20 °C to 70 °C, VDD = 2.5 V to 5.5 V, unless otherwise noted)

Symbol	Parameter	Test conditions		Limits			Unit		
				Min.	Typ.	Max.			
VOL	"L" level output voltage P0, P1	VDD = 5 V	IOL = 12 mA			2	V		
		VDD = 3 V	IOL = 6 mA			0.9			
VOL	"L" level output voltage P3, RESET	VDD = 5 V	IOL = 5 mA			2	V		
		VDD = 3 V	IOL = 2 mA			0.9			
VOL	"L" level output voltage D4, D5	VDD = 5 V	IOL = 30 mA			1	V		
			IOL = 10 mA			0.4			
		VDD = 3 V	IOL = 15 mA			1	V		
	IOL = 5 mA			0.4					
VOL	"L" level output voltage D0-D3, D6-D9	VDD = 5 V	IOL = 15 mA			2	V		
		VDD = 3 V	IOL = 3 mA			0.9			
I _{IH}	"H" level input current P0, P1, P2, P3, D6, RESET	Vi = VDD and port P3 selected				1	μA		
I _{IH}	"H" level input current D0-D5, D7-D9	Vi = 12 V				1	μA		
I _{IL}	"L" level input current P0, P1, P2, P3, D6, RESET	Vi = 0 V No pull-up of ports P0 and P1, port P3 selected		-1			μA		
I _{IL}	"L" level input current D0-D5, D7-D9	Vi = 0 V		-1			μA		
I _{OZ}	Output current at off-state D0-D5, D7-D9	Vo = 12 V				1	μA		
I _{OZ}	Output current at off-state P0, P1, P3, D6, RESET	Vo = VDD				1	μA		
I _{DD}	Supply current	at active mode	VDD = 5 V	f(XIN) = 6.0 MHz		4	12	mA	
				f(XIN) = 500 kHz		0.9	2.7		
			VDD = 3 V	f(XIN) = 2.0 MHz		0.9	2.7		
				f(XIN) = 500 kHz		0.3	0.9		
		at RAM back-up mode	Ta = 25 °C				0.1	1	μA
			VDD = 5 V					10	
		VDD = 3 V				6			
R _{PU}	Pull-up resistor value P0, P1	VDD = 5 V	Vi = 0 V	20	50	125	kΩ		
		VDD = 3 V		40	100	250			
V _{T+} - V _{T-}	Hysteresis INT0, INT1, CNTR, SIN, SCK					0.3	V		
V _{T+} - V _{T-}	Hysteresis RESET	VDD = 5 V				1.8	V		
		VDD = 3 V				0.7			

RECOMMENDED OPERATING CONDITIONS FOR A-D CONVERTER

(Ta = -20 °C to 85 °C, unless otherwise noted)

Symbol	Parameter	Conditions	Limits			Unit	
			Min.	Typ.	Max.		
VDD	Supply voltage (Notes 1, 2)	f(XIN) = 0.4 MHz to 6 MHz	4.5	5.0	5.5	V	
		f(XIN) = 0.4 MHz to 4 MHz	4.0		5.5		
		f(XIN) = 0.4 MHz to 2 MHz	2.7		5.5		
AVSS	Analog supply voltage	AVSS = VSS		0		V	
VREF	Reference input voltage		2.0		VDD	V	
VIA	Analog input voltage		0		VREF	V	
f(XIN)	System clock frequency (with a ceramic resonator) (Note 2)	VDD = 4.5 V to 5.5 V	0.4		6.0	MHz	
		VDD = 4.0 V to 5.5 V	0.4		4.0		
		VDD = 2.7 V to 5.5 V	0.4		2.0		
f(XIN)	System clock frequency (with external clock input) (Note 2)	VDD = 4.5 V to 5.5 V	Duty ratio	40 % to 60 %	0.4	4.0	MHz
				30 % to 70 %	0.4	3.0	
		VDD = 2.7 V to 5.5 V		0.4	1.0		

Notes 1: When using the zero cross detection circuit, refer to the recommended operating conditions for the zero cross detection circuit.

2: When using the voltage drop detection circuit, refer to the recommended operating conditions for the voltage drop detection circuit.

CHARACTERISTICS FOR A-D CONVERTER

(Ta = -20 °C to 85 °C, unless otherwise noted)

Symbol	Parameter	Test conditions	Limits			Unit
			Min.	Typ.	Max.	
IAdd	A-D operating current	VDD = 5.0 V f(XIN) = 0.4 MHz to 6 MHz		0.6	1.8	mA
		VDD = 3.0 V f(XIN) = 0.4 MHz to 2 MHz		0.1	0.3	
IVREF	Reference input current	VREF = 5.0 V	50	150	200	µA
		VREF = 3.0 V	30	90	120	
—	Resolution				8	bit
—	Absolute accuracy	VDD = VREF = 5.0 V Quantization error VDD = VREF = 3.0 V excepted			±2	LSB
TCONV	Conversion time	f(XIN) = 6 MHz			25	µs
		f(XIN) = 4 MHz			37.5	
		f(XIN) = 2 MHz			75	

RECOMMENDED OPERATING CONDITIONS FOR ZERO CROSS DETECTION CIRCUIT

(Ta = -20 °C to 85 °C, unless otherwise noted)

Symbol	Parameter	Conditions	Limits			Unit
			Min.	Typ.	Max.	
VDD	Supply voltage (Note 1)	f(XIN) ≤ 6 MHz	4.5	5.0	5.5	V
		f(XIN) ≤ 4 MHz	4.0		5.5	
VSS	Supply voltage			0		V
f(XIN)	System clock frequency (Notes 1, 2) (with a ceramic resonator)	VDD = 4.5 V to 5.5 V			6.0	MHz
		VDD = 4.0 V to 5.5 V			4.0	
f(XIN)	System clock frequency (Notes 1, 2) (with external clock input)	VDD = 4.5 V to 5.5 V	Duty ratio 40 to 60 %		4.0	MHz
		VDD = 4.0 V to 5.5 V			3.0	
fZEROX	Input frequency for zero cross detection			50, 60	1000	Hz

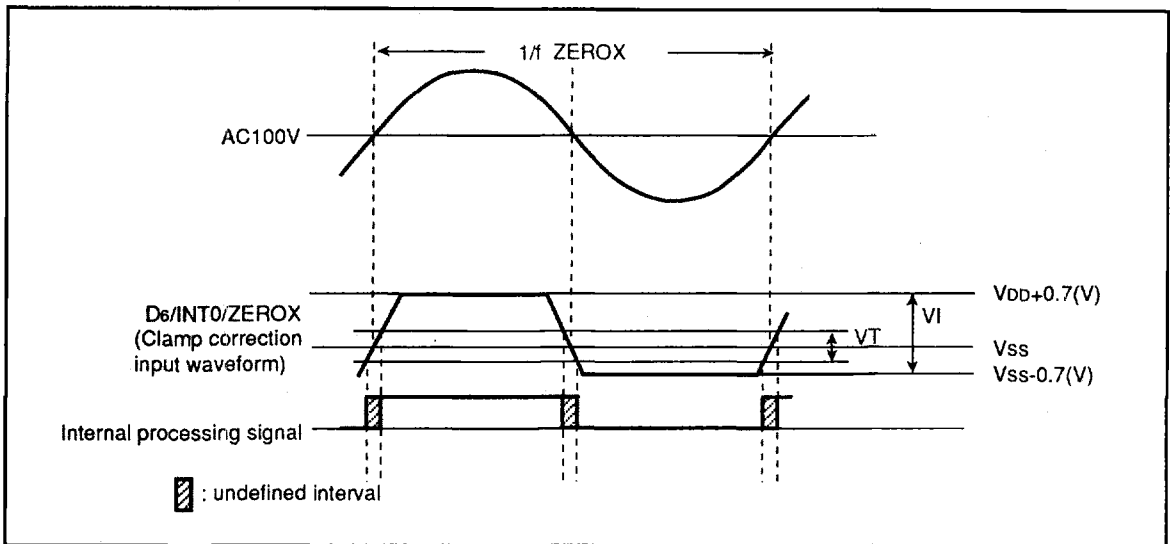
Notes 1: When using the voltage drop detection circuit, refer to the recommended operating conditions for voltage drop detection circuit.

2: When using the A-D converter, refer to the recommended operating conditions for the A-D converter.

CHARACTERISTICS FOR ZERO CROSS DETECTION CIRCUIT

(Ta = -20 °C to 85 °C, unless otherwise noted)

Symbol	Parameter	Test conditions	Limits			Unit
			Min.	Typ.	Max.	
I _{ZDD}	Zero cross comparator operating current	VDD = 5.0 V		1.0	3.0	mA
V _T	Zero cross detection decision voltage	50 Hz or 60 Hz	-200	0	200	mV



Input characteristics for zero cross detection

RECOMMENDED OPERATING CONDITIONS FOR VOLTAGE DROP DETECTION CIRCUIT

(Ta = -20 °C to 85 °C, unless otherwise noted)

Symbol	Parameter	Conditions	Limits			Unit
			Min.	Typ.	Max.	
V _{DD}	Supply voltage		4.5	5.0	5.5	V
f(X _{IN})	System clock frequency (Note)			1.5	2.0	MHz

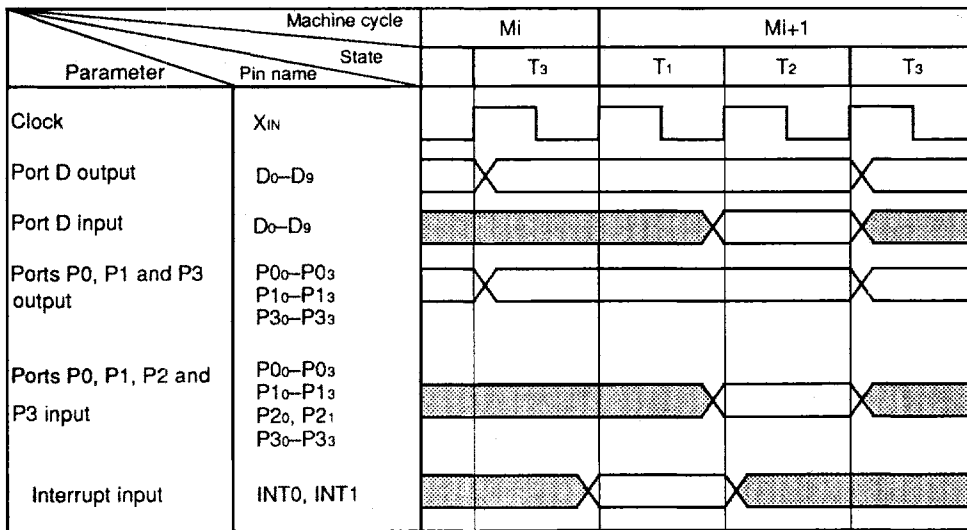
Note: When using the A-D converter, refer to the recommended operating conditions for the A-D converter.

CHARACTERISTICS FOR VOLTAGE DROP DETECTION CIRCUIT

(Ta = -20 °C to 85 °C, unless otherwise noted)

Symbol	Parameter	Test conditions	Limits			Unit
			Min.	Typ.	Max.	
V _{RST}	Detection voltage	f(X _{IN}) ≤ 2.0 MHz	1.5	3.0	4.5	V
I _{RST}	Supply current when operating the voltage drop detection circuit	V _{DD} = 5.0 V at RAM back-up state			20	μA

BASIC TIMING DIAGRAM



BUILT-IN PROM VERSION

In addition to the mask ROM versions, the 4510 Group has programmable ROM versions software compatible with mask ROM. One is the window-type EPROM version supplied with a built-in EPROM which can be written to and erased. Others are the One Time PROM versions whose PROMs can only be written to and not be erased. Since the functions of the built-in EPROM and One Time PROM versions are exactly the same, except erasure, all of them referred to as built-in PROM versions in this explanation, unless otherwise noted.

The built-in PROM versions have functions similar to those of the mask ROM versions, but they have PROM mode that enables writing to built-in PROM.

Table 22 shows the product of built-in PROM version. Figure 52 and 53 show the pin configurations of built-in PROM versions. The One Time PROM versions have pin-compatibility with the mask ROM version. The built-in EPROM version has different outline.

The built-in EPROM version is the microcomputer for program development. Use this microcomputer only for program development and prototype test.

Table 22 Product of built-in PROM version

Product	PROM size (X 10 bits)	RAM size (X 4 bits)	Package	ROM type
M34510E8-XXXSP/FP	8192 words	384 words	SP: 32P4B	One Time PROM [shipped after writing]
M34510E8SP/FP			FP: 36P2R-A	(shipped after writing and test in factory)
M34510E8SS *			SS: 32S1B	One Time PROM [shipped in blank]
				Built-in EPROM version

*: For program development

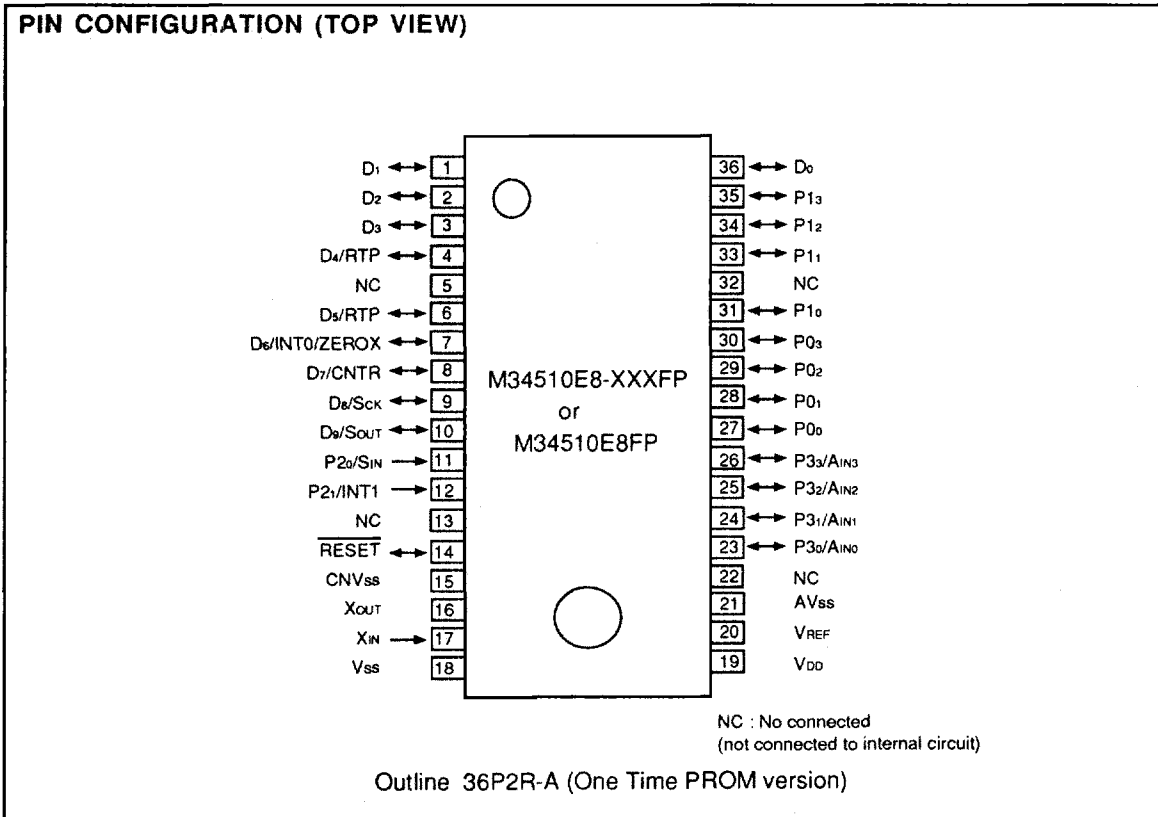
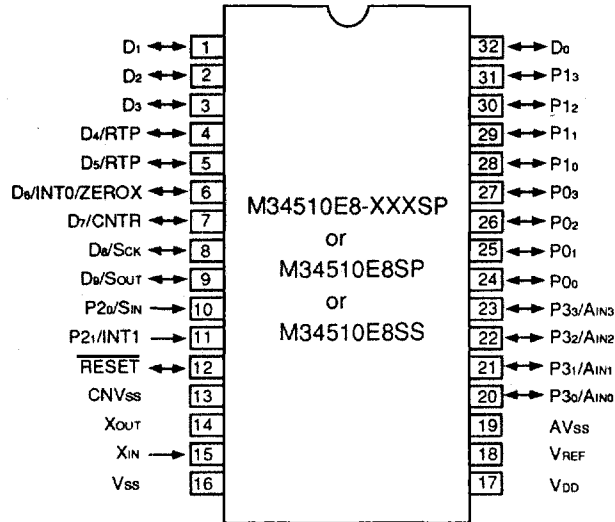


Fig. 52 Pin configuration of built-in PROM version

PIN CONFIGURATION (TOP VIEW)



Outline 32P4B (One Time PROM version)
32S1B (Built-in EPROM version)

Fig. 53 Pin configuration of built-in PROM version (continued)

(1) PROM mode

Each built-in PROM version has a PROM mode in addition to a normal operation mode. The PROM mode is used to write to and read from the built-in PROM. In the PROM mode, the programming adapter can be used with a general-purpose PROM programmer to write to or read from the built-in PROM as if it were M5M27C256K. Programming adapters are listed in Table 23.

• Writing and reading of built-in PROM

Programming voltage is 12.5 V. Write the program in the PROM of the built-in PROM version as shown in Figure 54.

• Erasing

Only the built-in EPROM (M34510E8SS) version has a transparent window for erasing on the top surface of the package. The EPROM is erased when it is exposed to ultraviolet light with a wavelength of 2537Å to an integrated dose of 15 W-s/cm² or more through the window.

(2) Notes on handling

- ① Sunlight and fluorescent lamp contain light that can erase written information. Be sure to cover the transparent glass portion with a seal or other similar materials except when erasing.
- ② Mitsubishi Electric corp. provides the seal for covering the transparent glass. Take care that the seal does not touch lead pins.
- ③ Clean the transparent glass before erasing. Fingers' fat and paste disturb the passage of ultraviolet light and may affect badly the erasure capability.
- ④ A high-voltage is used for writing. Take care that overvoltage is not applied. Take care especially at turning on the power.
- ⑤ For the One Time PROM version shipped in blank, Mitsubishi Electric corp. does not perform PROM writing test and screening in the assembly process and following processes. In order to improve reliability after writing, performing writing and test according to the flow shown in Figure 55 before using is recommended (Products shipped in blank: PROM contents is not written in factory when shipped)

Table 23 Programming adapters

Microcomputer	Programming adapter
M34510E8-XXXSP, M34510E8SP, M34510E8SS	PCA4764
M34510E8-XXXFP, M34510E8FP	PCA4765

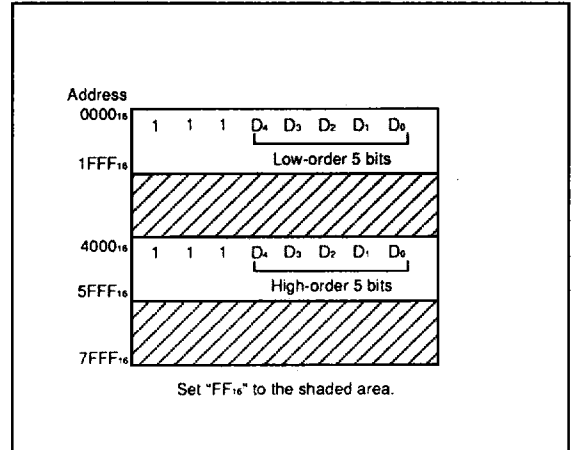


Fig. 54 PROM memory map

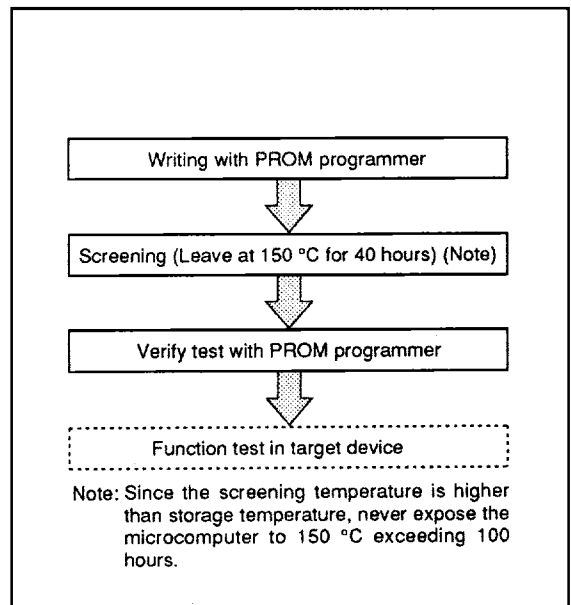


Fig. 55 Flow of writing and test of the product shipped in blank