

# PC BOARD CONNECTORS

## 740 SERIES

### ■ FEATURES

- Various types of headers are available: one side shrouded, both sides shrouded, with simplified latch, and box type.
- The connector having a simplified latch prevents the connector from working loose because of vibration.
- The mini header has a clip to prevent incorrect insertion.
- A 740 series connector with a power terminal (2 in 1) for SCSI/IDE interface unit connections is also available.

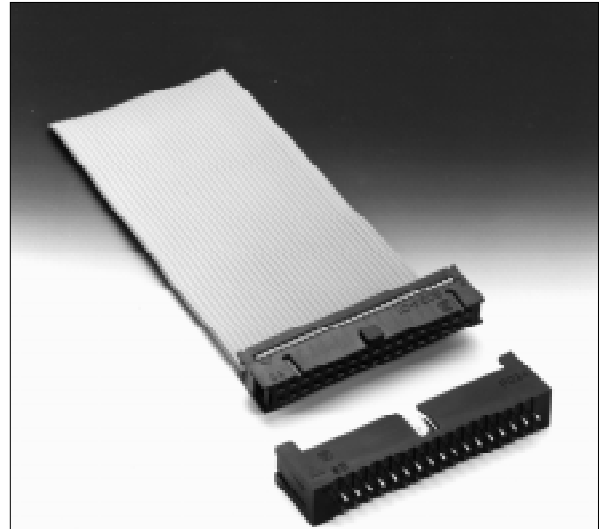
### ■ SPECIFICATIONS

#### 1. Standard type

| Item                           | Specification  |
|--------------------------------|--|
| Operating temperature range    | -55°C to +105°C  |
| Current rating                 | DC 1 A   |
| Voltage rating                 | AC 250 V   |
| Contact resistance             | 15 mΩ max. (DC 6 V, 0.1 A)   |
| Insulation resistance          | 1000 MΩ min. (DC 500 V)  |
| Dielectric strength            | AC 500 V for 1 minute  |
| Insertion force                | 3.5 kg max. (10 pins), 10.5 kg max. (30 pins)                                  |
| Withdrawal force               | 0.25 kg min. (10 pins), 1.0 kg min. (30 pins)                                  |
| Applicable wire                | Flat cable: 1.27 mm (0.050 in.) pitch<br>AWG #28 (stranded) or AWG #30 (solid) |
| Applicable PC board (standard) | 1.6 mm   |

#### 2. Power connector integrated type

| Item                           | Specification  |
|--------------------------------|--|
| Operating temperature range    | -55°C to +105°C  |
| Current rating                 | DC 1 A (signal pin)<br>DC 5 A (power pin)  |
| Voltage rating                 | AC 250 V   |
| Contact resistance             | 15 mΩ max. (signal pin, DC 6 V, 0.1 A)<br>10 mΩ max. (power pin, DC 6 V, 0.3 A)  |
| Insulation resistance          | 1000 MΩ min. (DC 500 V)  |
| Dielectric strength            | AC 500 V for 1 minute (signal pin)<br>AC 1000 V for 1 minute (power pin)   |
| Insertion force                | 50-contact signal pin: 17.5 kg max.<br>40-contact signal pin: 14.0 kg max.<br>Power pin (reference value): 8.8 kg max. |
| Withdrawal force               | 50-contact signal pin: 2.0 kg max.<br>40-contact signal pin: 1.5 kg max.<br>Power pin (reference value): 0.8 kg max.   |
| Applicable PC board (standard) | 1.6 mm (0.062 in.) (through hole type)   |



### ■ MATERIALS

#### 1. Standard type

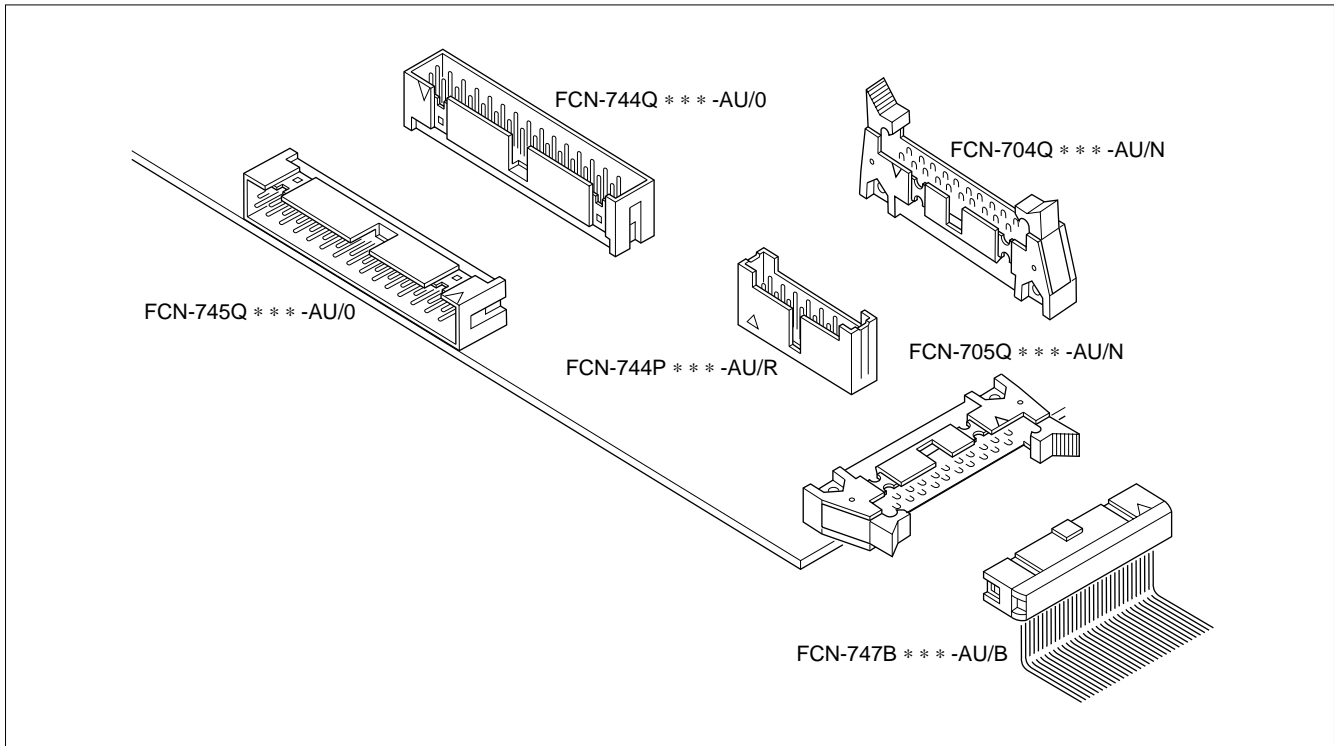
| Item                | Materials           |           |
|---------------------|---------------------|-----------|
| Insulating material | Polyester (UL94V-0) |           |
| Conductor           | Copper alloy        |           |
| Plating             | Contact             | Gold      |
|                     | Terminal            | Palladium |

#### 2. Power connector integrated type

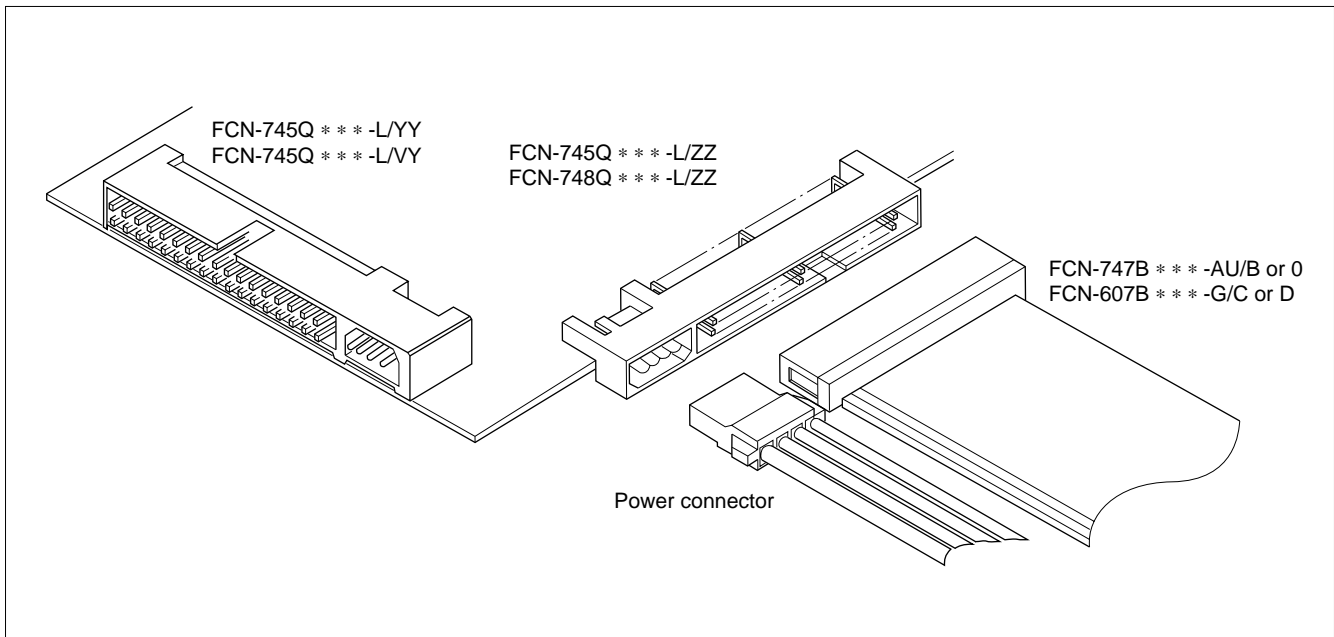
| Item                | Materials  |           |
|---------------------|--|-----------|
| Insulating material | Through hole type:<br>Polyester (UL94V-0)<br>SMT type: PPS (UL94V-0) |           |
| Conductor           | Copper alloy   |           |
| Plating             | Signal pin contact   | Gold      |
|                     | Signal pin tail  | Palladium |
|                     | Power pin  | Solder    |

## ■ APPLICATION EXAMPLE

### 1. Standard type

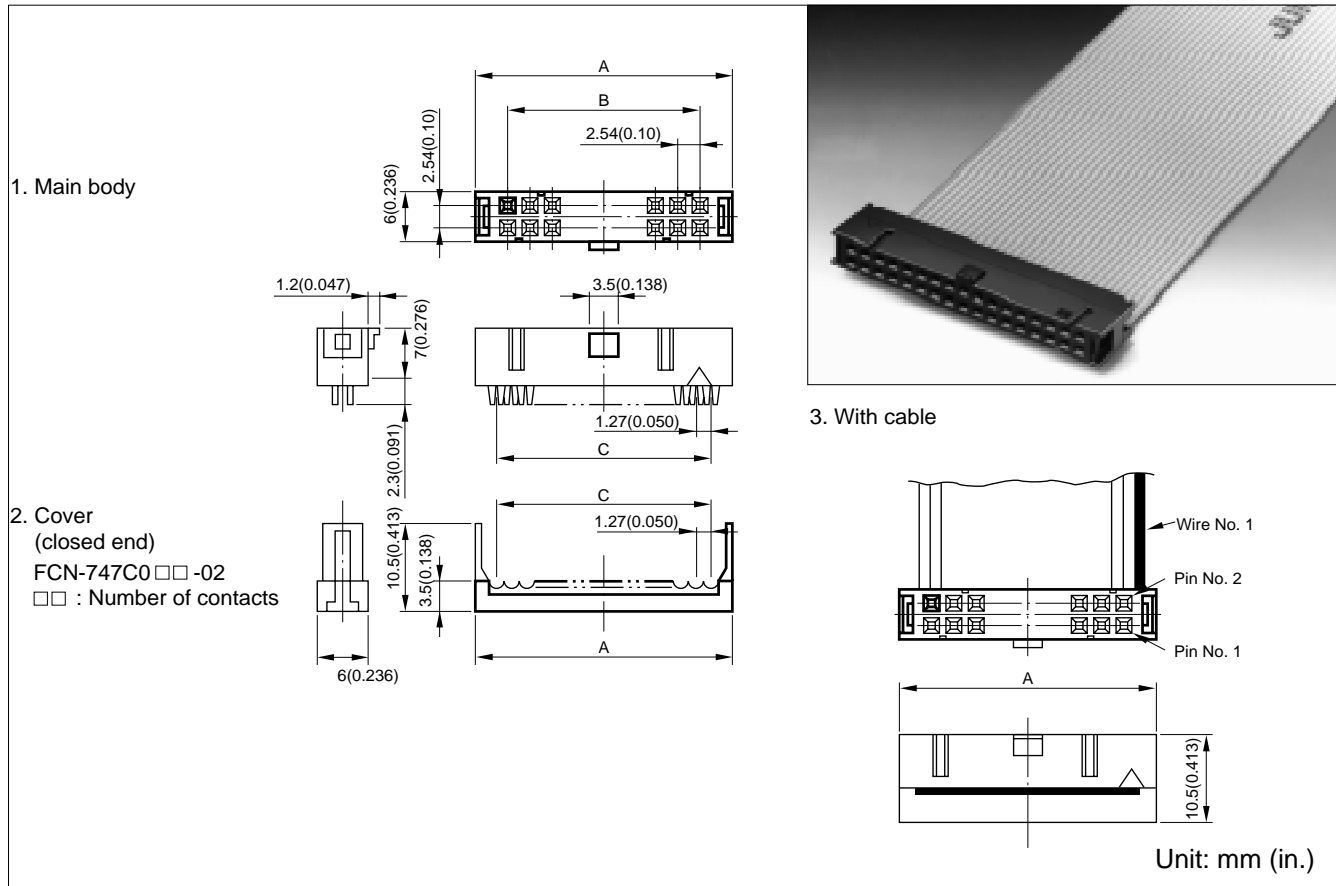


### 2. Power connector integrated type



## IDC SOCKET (BUMP TYPE, CLOSED END COVER)

### ■ DIMENSIONS

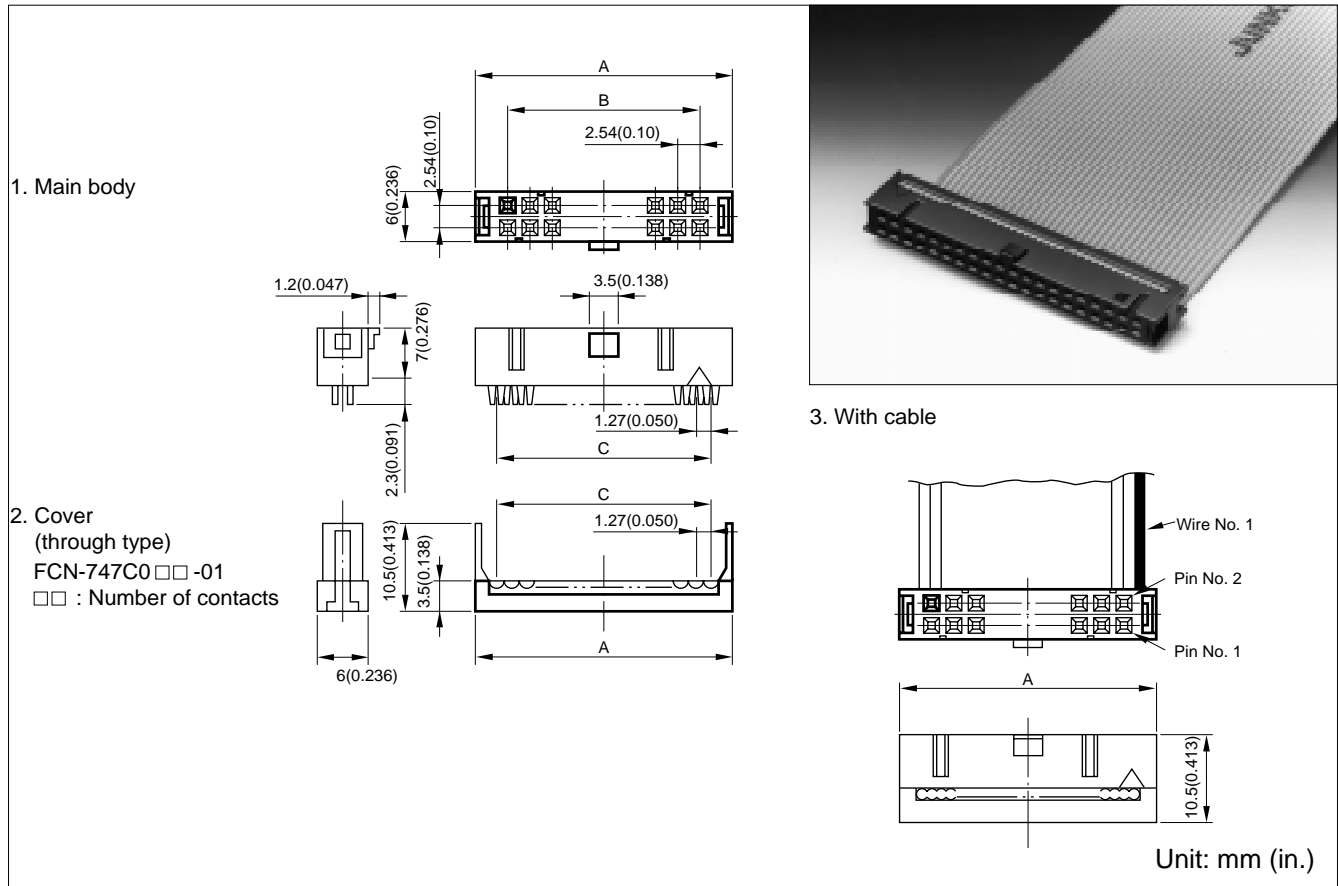


### ■ PART NUMBERS AND DIMENSIONS

| Number of contacts | Part number      | Dimensions: mm (in.) |               |               | Min. purchase lot quality |
|--------------------|------------------|----------------------|---------------|---------------|---------------------------|
|                    |                  | A                    | B             | C             |                           |
| 10                 | FCN-747B010-AU/B | 17.27 (0.680)        | 10.16 (0.400) | 11.43 (0.450) | 30                        |
| 14                 | FCN-747B014-AU/B | 22.35 (0.880)        | 15.24 (0.600) | 16.51 (0.650) | 23                        |
| 16                 | FCN-747B016-AU/B | 24.89 (0.980)        | 17.78 (0.700) | 19.05 (0.750) | 21                        |
| 20                 | FCN-747B020-AU/B | 29.97 (1.180)        | 22.86 (0.900) | 24.13 (0.950) | 17                        |
| 24                 | FCN-747B024-AU/B | 35.05 (1.380)        | 27.94 (1.100) | 29.21 (1.150) | 15                        |
| 26                 | FCN-747B026-AU/B | 37.59 (1.480)        | 30.48 (1.200) | 31.75 (1.250) | 14                        |
| 30                 | FCN-747B030-AU/B | 42.67 (1.680)        | 35.56 (1.400) | 36.83 (1.450) | 12                        |
| 34                 | FCN-747B034-AU/B | 47.75 (1.880)        | 40.64 (1.600) | 41.91 (1.650) | 11                        |
| 40                 | FCN-747B040-AU/B | 55.37 (2.180)        | 48.26 (1.800) | 49.54 (1.950) | 9                         |
| 50                 | FCN-747B050-AU/B | 68.07 (2.680)        | 60.96 (2.400) | 62.23 (2.450) | 7                         |
| 60                 | FCN-747B060-AU/B | 80.77 (3.180)        | 73.66 (2.900) | 74.93 (2.950) | 6                         |

## IDC SOCKET (BUMP TYPE, THROUGH END COVER)

### ■ DIMENSIONS



### ■ PART NUMBERS AND DIMENSIONS

| Number of contacts | Part number      | Dimensions: mm (in.) |               |               | Min. purchase lot quality |
|--------------------|------------------|----------------------|---------------|---------------|---------------------------|
|                    |                  | A                    | B             | C             |                           |
| 10                 | FCN-747B010-AU/0 | 17.27 (0.680)        | 10.16 (0.400) | 11.43 (0.450) | 30                        |
| 14                 | FCN-747B014-AU/0 | 22.35 (0.880)        | 15.24 (0.600) | 16.51 (0.650) | 23                        |
| 16                 | FCN-747B016-AU/0 | 24.89 (0.980)        | 17.78 (0.700) | 19.05 (0.750) | 21                        |
| 20                 | FCN-747B020-AU/0 | 29.97 (1.180)        | 22.86 (0.900) | 24.13 (0.950) | 17                        |
| 24                 | FCN-747B024-AU/0 | 35.05 (1.380)        | 27.94 (1.100) | 29.21 (1.150) | 15                        |
| 26                 | FCN-747B026-AU/0 | 37.59 (1.480)        | 30.48 (1.200) | 31.75 (1.250) | 14                        |
| 30                 | FCN-747B030-AU/0 | 42.67 (1.680)        | 35.56 (1.400) | 36.83 (1.450) | 12                        |
| 34                 | FCN-747B034-AU/0 | 47.75 (1.880)        | 40.64 (1.600) | 41.91 (1.650) | 11                        |
| 40                 | FCN-747B040-AU/0 | 55.37 (2.180)        | 48.26 (1.800) | 49.54 (1.950) | 9                         |
| 50                 | FCN-747B050-AU/0 | 68.07 (2.680)        | 60.96 (2.400) | 62.23 (2.450) | 7                         |
| 60                 | FCN-747B060-AU/0 | 80.77 (3.180)        | 73.66 (2.900) | 74.93 (2.950) | 6                         |

## **Fujitsu Components International Headquarter Offices**

### **Japan**

Fujitsu Component Limited  
Gotanda-Chuo Building  
3-5, Higashigotanda 2-chome, Shinagawa-ku  
Tokyo 141, Japan  
Tel: (81-3) 5449-7010  
Fax: (81-3) 5449-2626  
Email: [promothq@ft.ed.fujitsu.com](mailto:promothq@ft.ed.fujitsu.com)  
Web: [www.fcl.fujitsu.com](http://www.fcl.fujitsu.com)

### **North and South America**

Fujitsu Components America, Inc.  
250 E. Caribbean Drive  
Sunnyvale, CA 94089 U.S.A.  
Tel: (1-408) 745-4900  
Fax: (1-408) 745-4970  
Email: [marcom@fcai.fujitsu.com](mailto:marcom@fcai.fujitsu.com)  
Web: [www.fcai.fujitsu.com](http://www.fcai.fujitsu.com)

### **Europe**

Fujitsu Components Europe B.V.  
Diamantlaan 25  
2132 WV Hoofddorp  
Netherlands  
Tel: (31-23) 5560910  
Fax: (31-23) 5560950  
Email: [info@fceu.fujitsu.com](mailto:info@fceu.fujitsu.com)  
Web: [www.fceu.fujitsu.com](http://www.fceu.fujitsu.com)

### **Asia Pacific**

Fujitsu Components Asia Ltd.  
102E Pasir Panjang Road  
#04-01 Citilink Warehouse Complex  
Singapore 118529  
Tel: (65) 6375-8560  
Fax: (65) 6273-3021  
Email: [fcal@fcal.fujitsu.com](mailto:fcal@fcal.fujitsu.com)  
[www.fcal.fujitsu.com](http://www.fcal.fujitsu.com)

© 2002 Fujitsu Components America, Inc. All company and product names are trademarks or registered trademarks of their respective owners. Rev. 10/2002