

Series **D XX P 24B 6 XX 22 LF**

Number of contacts  
09 , 15 , 25 , 37

Contacts  
P : Pin

Plating  
6 = 500 Mating / Unmating Mini

Packaging specification  
Tape and Reel For connector with cap

See Note RoHS

### Termination

Code	Type	Foot Print/Pitch	Length of termination	PCB thickness
24B	Straight version	6 / 2.84mm	2.90	2.4

### NOTE RoHS INFORMATION

- The "LF" product meet european union Directives and other country regulations asdescribed in GS-22-008.
- The housing will whistand exposure to 260° peak temperature for 30 seconds in a convection , infra-red or vapor reflow oven. See application notes/procedures if are available.
- Termination plating spec:1.27µ Nickel mini,2.5 to 7.5µ Sn(pure mate)
- Shell plating : Nickel bright
- Accessories : Sn pure bright
- Packaging spec ; See GS-14-920

### Mounting Options

RL	Insert M3
RV	Female Screw UNC 4-40
RX	Insert UNC 4-40

### Product Specification

see : GS-12-372

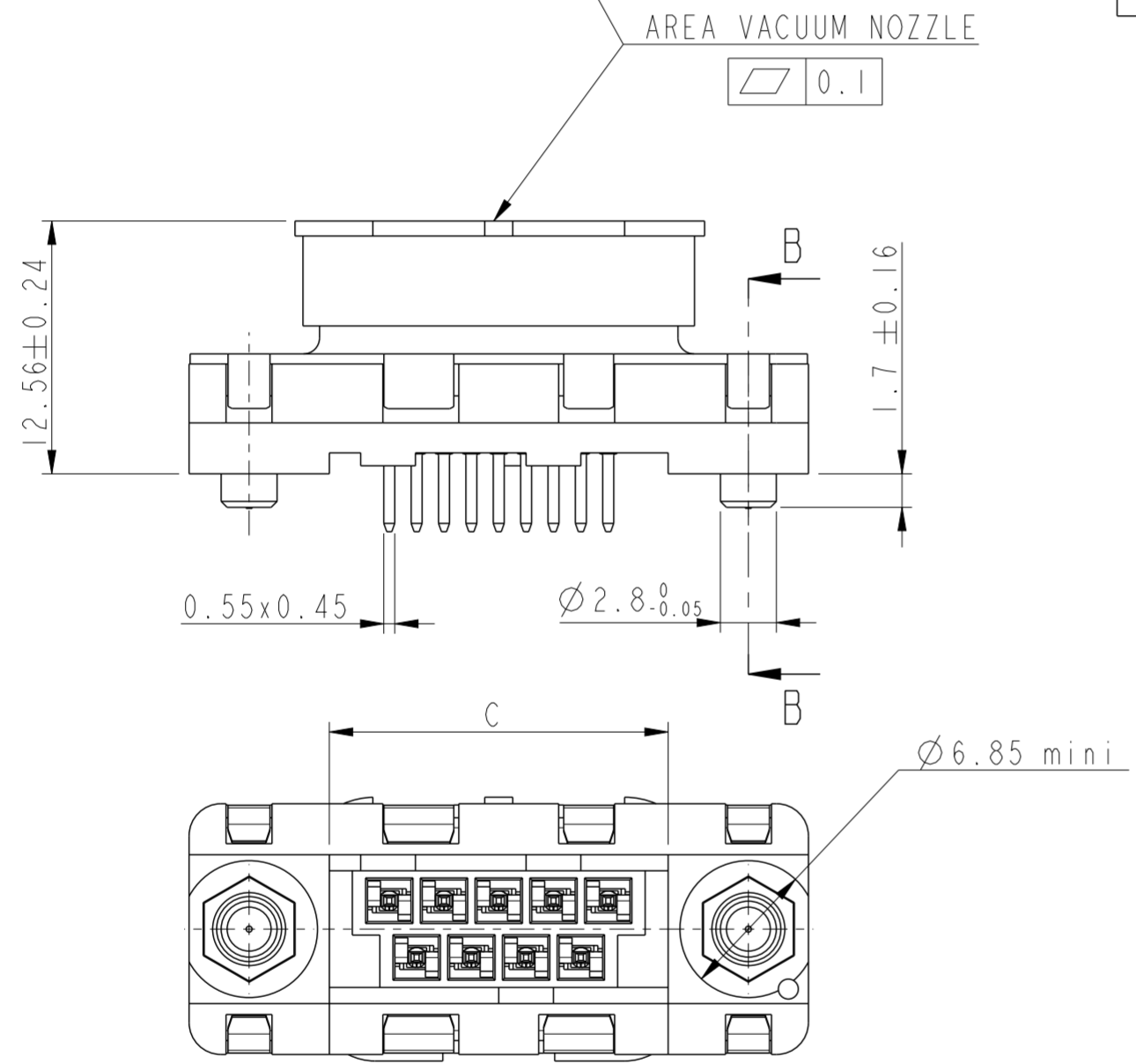
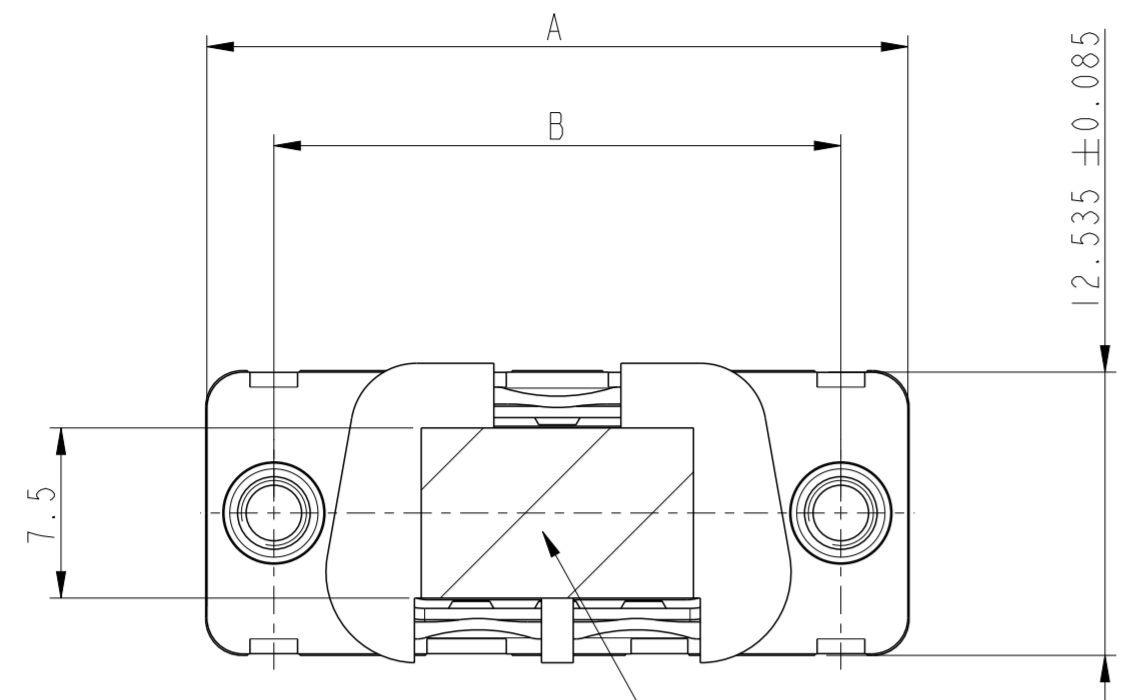
### Packaging Specification

See GS-14-1052

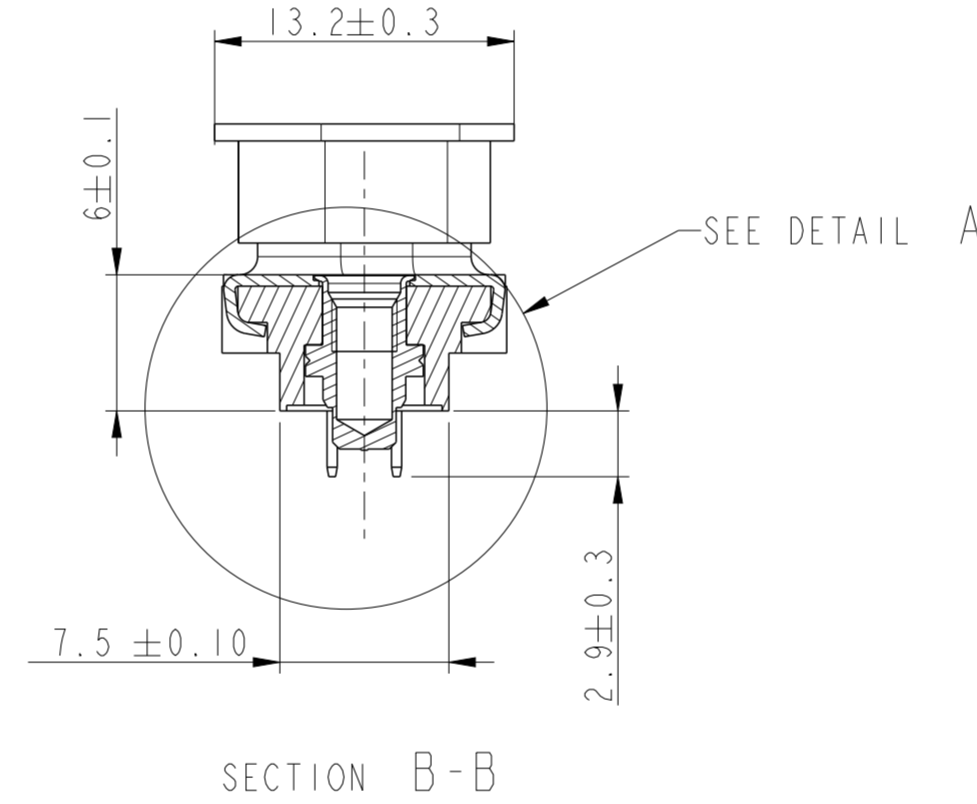
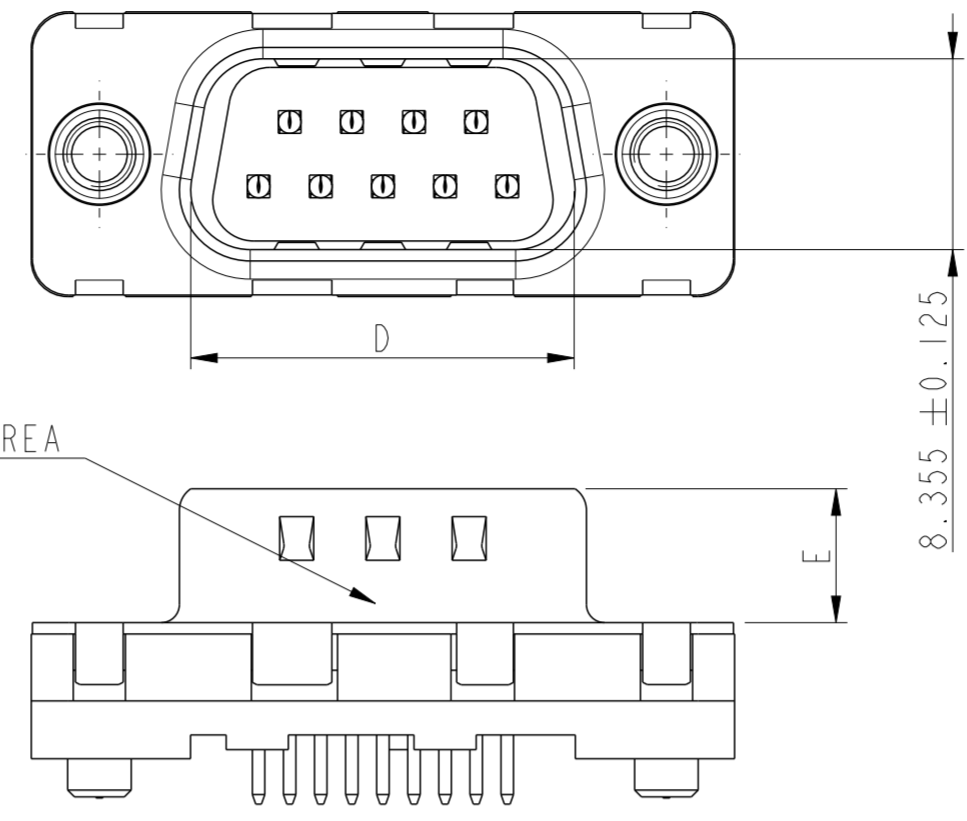
ltr	ecn no	dr	YY/MM/DD
I	CREATED	HLE	06/08/22
A	LS06-0223	PCR	2006/12/21
B	LS08-0112	HLE	2008/04/21
C	110-0120	NG	2010-05-27
D	110-0197	NG	2010-10-14
-	-	-	-
-	-	-	-

www.fciconnect.com		surface - ✓ ISO 1302	tolerance std ISO 406 ISO 1101	projection mm
TOLERANCES UNLESS OTHERWISE SPECIFIED				
Dr	H.LEGALLIC	22/08/22	ANGULAR	0.X ±0.3
Eng	H.LEGALLIC	06/08/22	LINEAR	0.XX ±0.1
Chr	NIRMAL G	2010-10-14	0° ±2°	0.XXX ±0.05
Appr	SUDHIR V	2010-10-14	Product family	SUB DELTA D PIP
FCi		Title		Sub DELTA D PIP MALE H=2.9
		straight for tape and reel packaging		dwg no C01-8646-0887
		catalog no SEE TABLE		Rev. D
		CUSTOMER		sheet 1 of 2

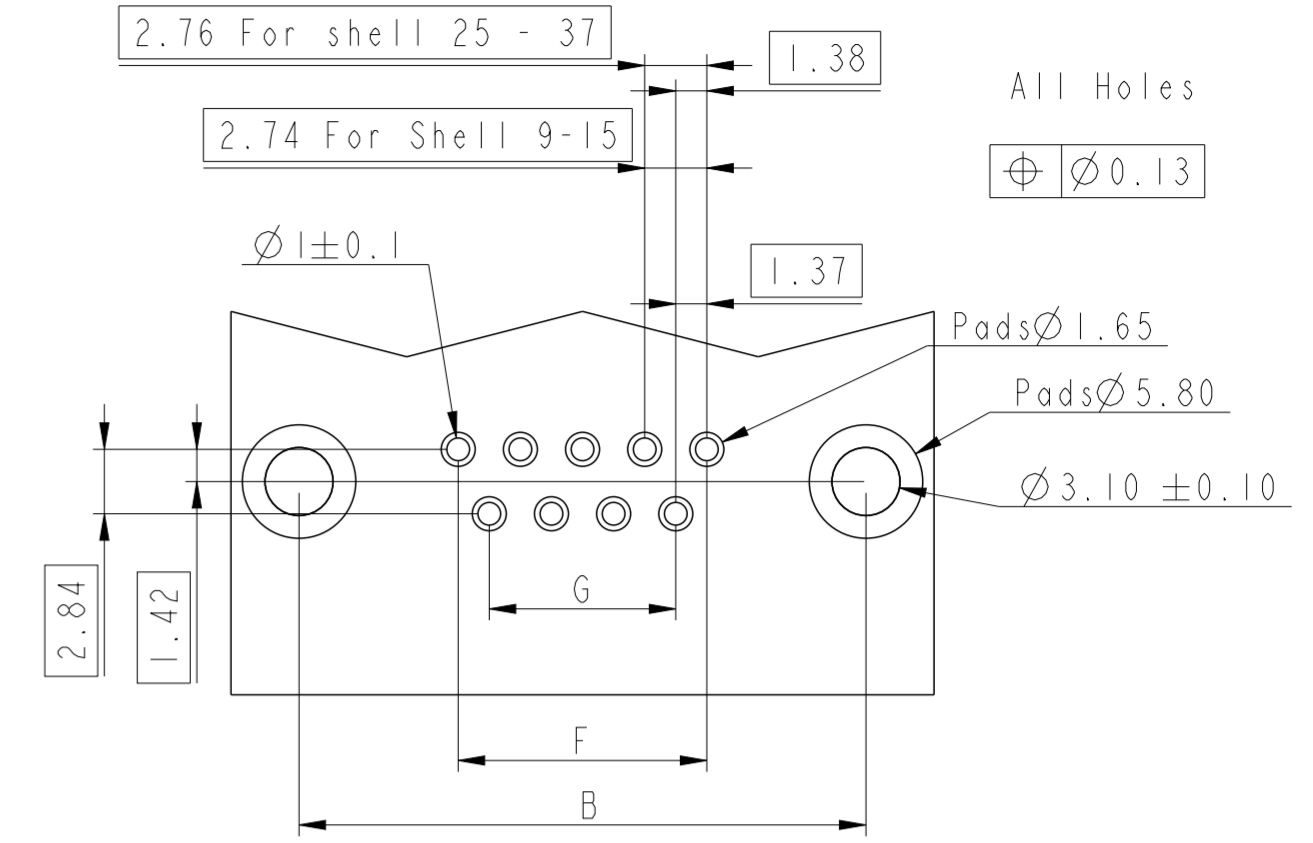
# With CAP



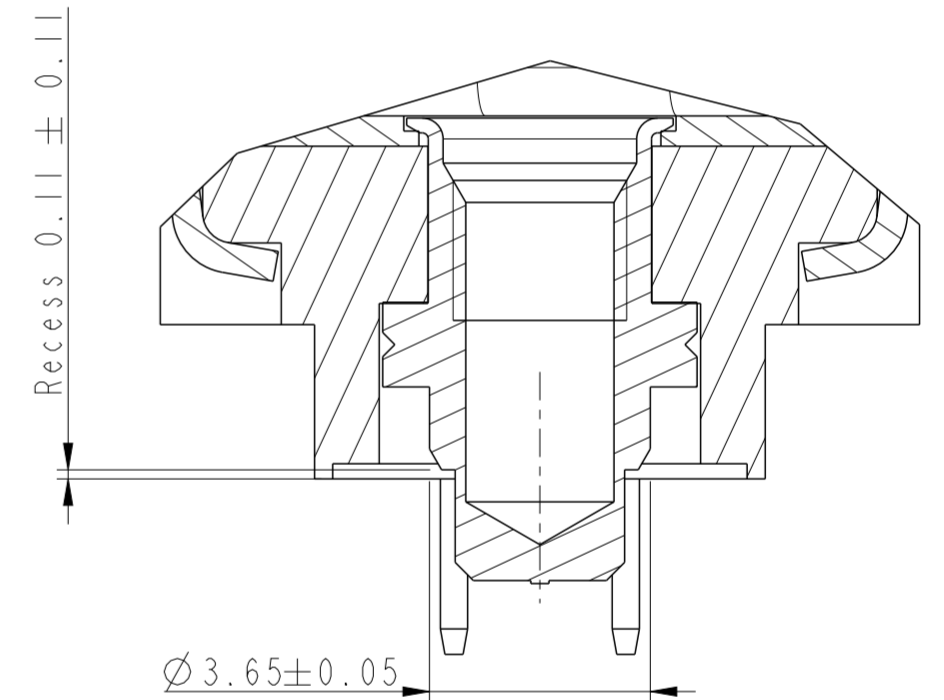
# Without CAP



# PCB Card Drilling dimensions and Pads recommended ( after plating - Thickness : 2.40 mm )



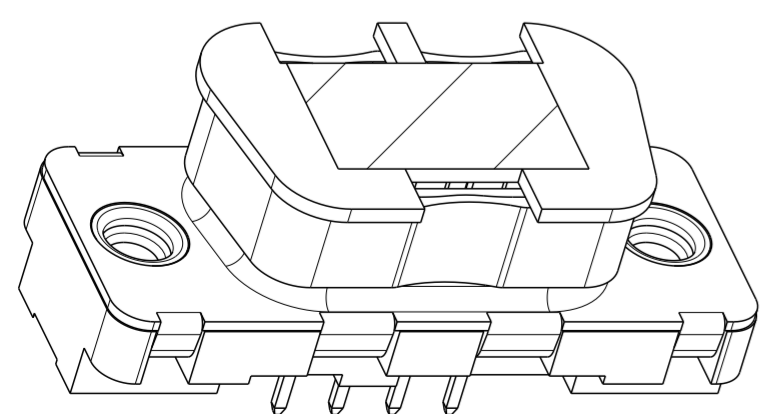
DETAIL A  
SCALE 8:1



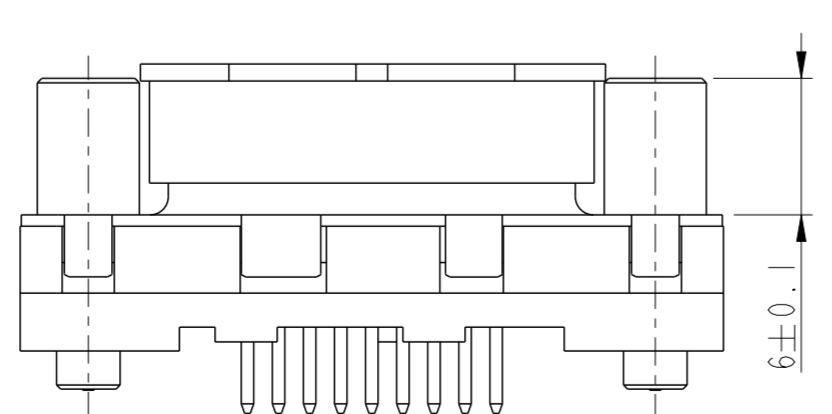
TRUE POSITIONING :  $\oplus \ominus \varnothing 0.36$

SHELL	P/N LEAD FREE	A ±0.38	B ±0.10	C ±0.10	D +0.25 0	E +0.15 0	F	G
09	D09P24B6xx22LF	30.81	24.99	16.96	16.79	5.9	10.96	8.22
15	D15P24B6xx22LF	39.14	33.32	25.18	25.12	5.9	19.18	16.44
25	D25P24B6xx22LF	53.03	47.04	39.12	38.84	5.7	33.12	30.36
37	D37P24B6xx22LF	69.32	63.50	55.68	55.30	5.7	49.68	46.92

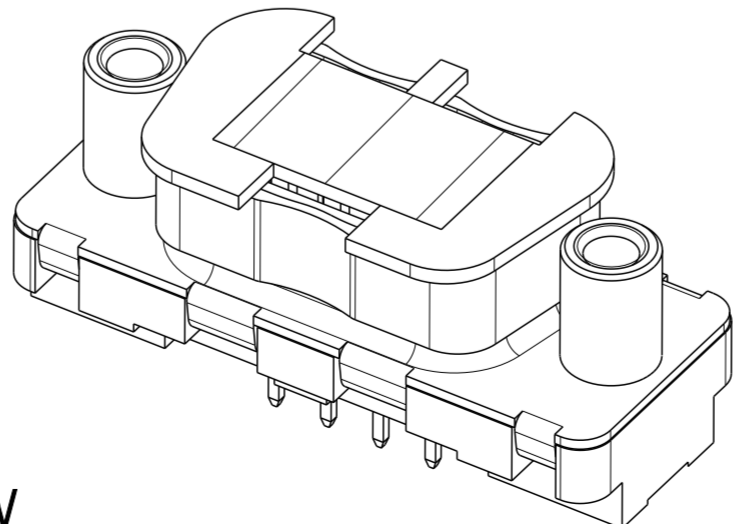
# Accessories details



TYPE RX / RL



TYPE RV



www.fciconnect.com		surface <input checked="" type="checkbox"/> ISO 1302		tolerance std ISO 406 ISO 1101		projection $\oplus \ominus$		mm	
TOLERANCES UNLESS OTHERWISE SPECIFIED									
Dr	H.LEGALLIC	22/08/22	ANGULAR	LINEAR	0.X	±0.3	size A2	Scale 3:1	
Eng	H.LEGALLIC	06/08/22			0.XX	±0.1			
Chr	NIRMAL G	2010-10-14	0° ±2°		0.XXX	±0.05	ECN	110-0197	
Appr	SUDHIR V	2010-10-14	Product family SUB DELTA D PIP			Spec ref -			
FCJ		Title SUB DELTA D PIP MALE H=2.9			Part no C01-8646-0887		Rev. D		
		straight for tape and reel packaging			catalog no SEE TABLE		CUSTOMER sheet 2 of 2		