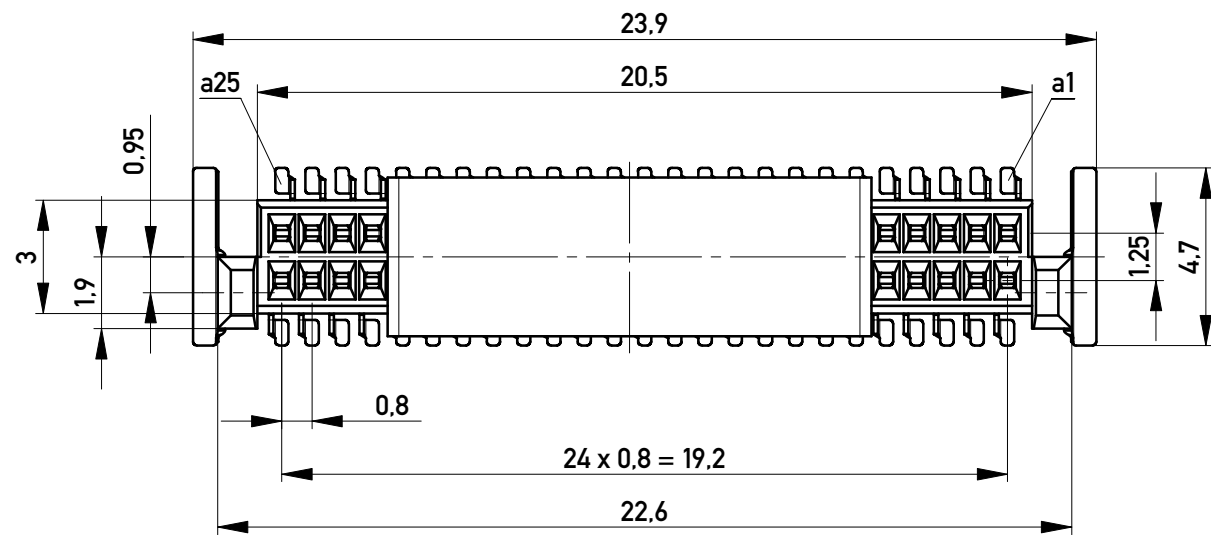
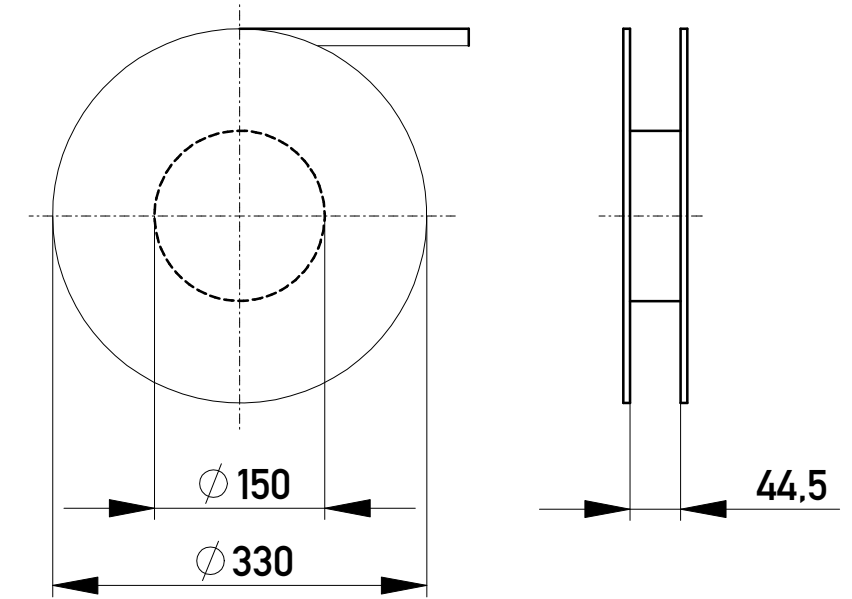
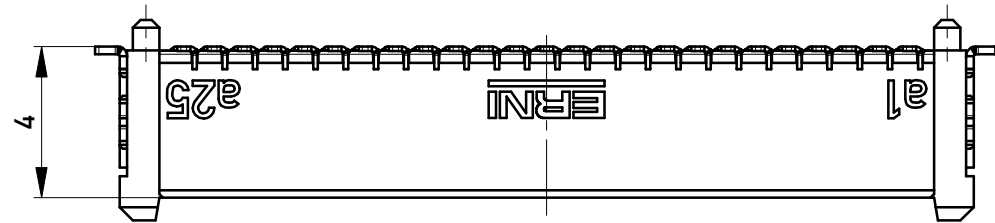


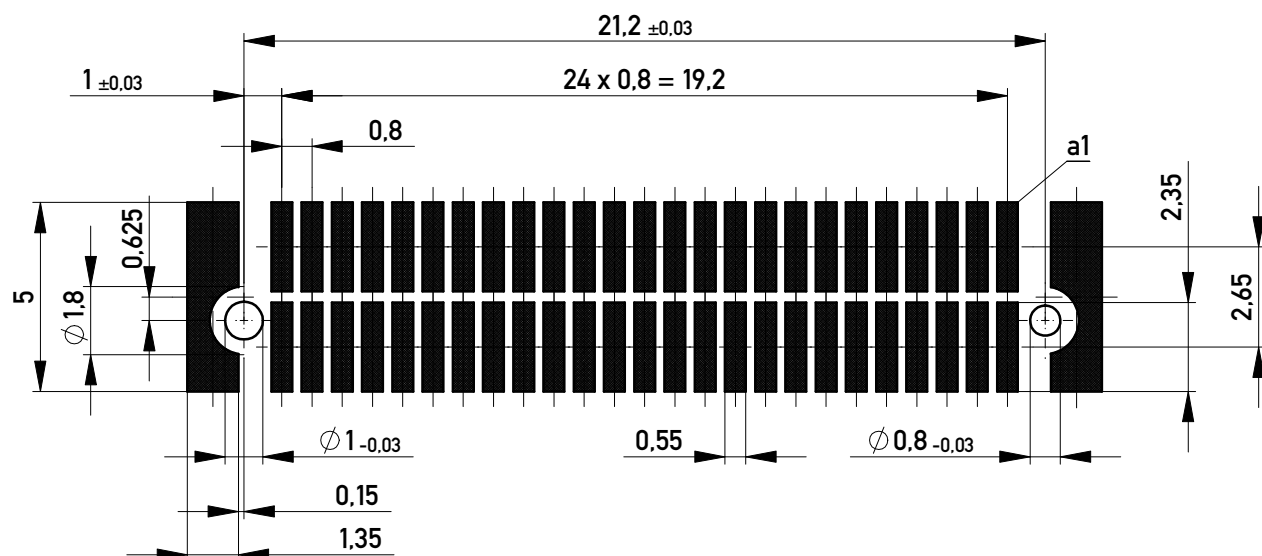
Verpackt in Gurtverpackung - *Tape on Reel Packaging*  
 Verpackungseinheit: 840 Stück - *Packaging unit: 840 pcs*



ohne Ansaughaube - *without hood*



Leiterplatten-Layout Vorschlag für SMT  
*PCB-Layout Proposal for SMT*



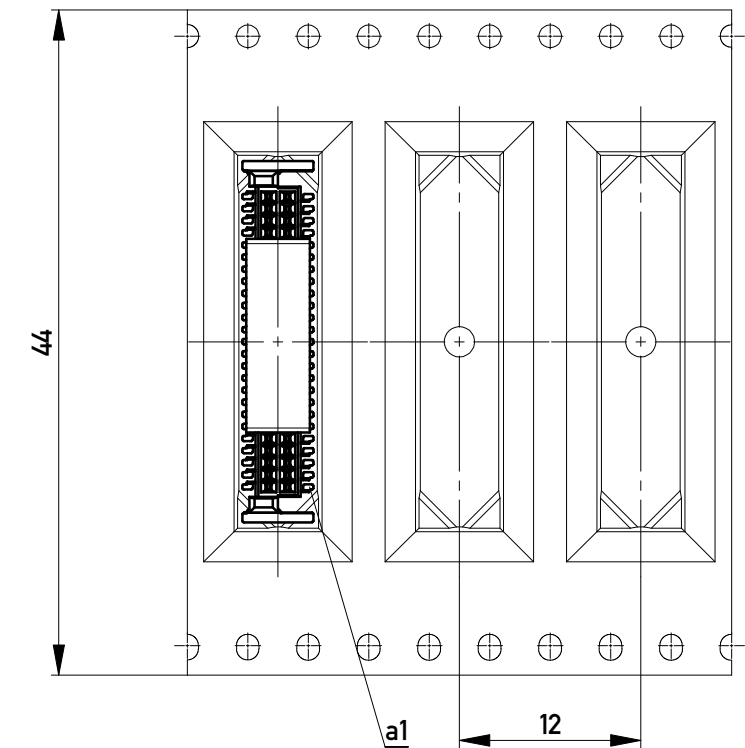
Anforderungsstufe 2  
*Performance Level 2*

Kontaktbereich vergoldet  
*Mating Area gold plating*

Anschlussbereich verzinnt 4-6 µm  
*Terminal Area 4-6 µm tin plating*

Koplanarität der Anschlüsse ≤ 0,1 mm  
*Coplanarity Area of Termination ≤ 0,1 mm*

Abspulrichtung - *Reel off Direction*



Copyright by ERNI GmbH  
 Proprietary notice pursuant to ISO 16016 to be observed.

Information:		Tolerances	Scale 5:1
All rights reserved. Only for Information. To ensure that this is the latest version of this drawing, please contact one of the ERNI companies before using.		All Dimensions in mm	Designation
Subject to modification without prior notice. Drawing will not be updated.		www.ERNI.com	0,8 DRC-B, F 4mm, 50 polig 0,8 DRC-B, F 4mm, 50 pin
b 21.09.2012		www.ERNI.com	100200100004
Index Date			K A3
		Class	DRCB