

TECHNICAL DATA
DATA SHEET 1102, REV. A

DC-DC Converters
Fixed Input, 3000V Isolation, Unregulated, Dual Output

FEATURES:

- Isolation Voltage: 3000Vdc
- Isolation Resistance (1): 1000MW
- Short-Circuit Duration: 1 second
- Case Temperature Rise: Max. 25° C, Typ. 15° C
- Cooling Method: Free-Air Cooling
- Standby Power Dissipation: 1W (100mW), 2W (200mW)
- Operating Temp.: -40° C ~ + 85° C
- Storage Temp.: -55° C ~ + 125° C
- Humidity: £ 95%
- Soldering Temp. (2): 300° C
- Case Material: Non-Flammable Material (UL94-V0)
- Mean Time Before Failure: > 1,000,000 hours (Operating Temp. 25° C)



B Dual Output-1W/2W Series Input Characteristics

Part Number	Nominal Input Voltage	Input Voltage Range	Maximum Input Voltage*
B05XXGS/D1/2U	5Vdc	4.5~5.5Vdc	7Vdc
B12XXGS/D1/2U	12Vdc	10.8~13.2Vdc	15Vdc
B24XXGS/D1/2U	24Vdc	21.6~26.4Vdc	28Vdc

* Voltage above this value may cause permanent damage to the device.

B Dual Output-1W/2W Series Output Characteristics

Parameter	MIN	TYP	MAX	Units
1W Output Power	0.25		1	W
2W Output Power	0.5		2	W
Line Regulation			± 1.2	%
Efficiency at 100% Load	65	75	85	%
Temperature Coefficient			0.03	%/°C
1W Ripple and Noise		75	150	mVp-p
2W Ripple and Noise		100	200	
Switching Frequency	80	100	200	kHz

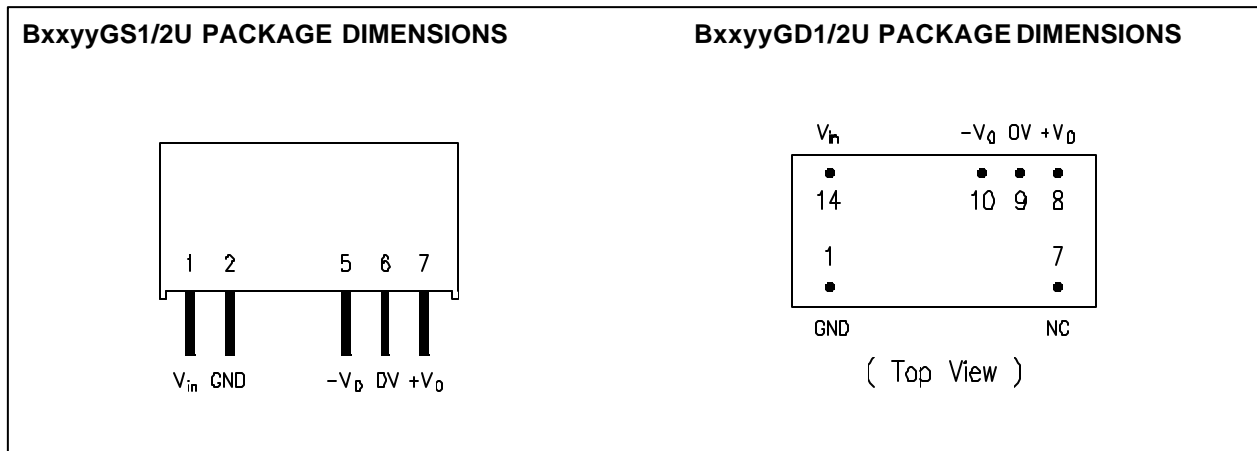
1. All specifications at TA=25°C, 75% of the humidity, Nominal input voltage, full output load unless otherwise specified.
2. Soldering for 10 seconds at 1.5mm away from the edge.

TECHNICAL DATA
DATA SHEET 1102, REV. A

B Dual Output-1W/2W Series Part Number List

Input	Output	Power	SIP-1W	SIP-2W	DIP-1W	DIP-2W
3.3Vdc			B0303HS1U	-	-	-
5Vdc	$\pm 3.3\text{V}/150\text{m A}$	1.00W	B0503GS1U	B0503GS2U	B0503GD1U	B0503GD2U
	$\pm 5\text{V}/100\text{m A}$	1.00W	B0505GS1U	B0505GS2U	B0505GD1U	B0505GD2U
	$\pm 9\text{V}/56\text{m A}$	1.00W	B0509GS1U	B0509GS2U	B0509GD1U	B0509GD2U
			B0512GS1U	B0512GS2U	B0512GD1U	B0512GD2U
			B0515GS1U	B0515GS2U	B0515GD1U	B0515GD2U
12Vdc	$\pm 12\text{V}/42\text{m A}$	1.00W	B1203GS1U	B1203GS2U	B1203GD1U	B1203GD2U
	$\pm 15\text{V}/33\text{m A}$	1.00W	B1205GS1U	B1205GS2U	B1205GD1U	B1205GD2U
	$\pm 3.3\text{V}/250\text{m A}$	1.60W	B1209GS1U	B1209GS2U	B1209GD1U	B1209GD2U
	$\pm 5\text{V}/200\text{m A}$	2.00W	B1212GS1U	B1212GS2U	B1212GD1U	B1212GD2U
	$\pm 9\text{V}/111\text{m A}$	2.00W	B1215GS1U	B1215GS2U	B1215GD1U	B1215GD2U
24Vdc	$\pm 12\text{V}/84\text{m A}$	2.00W	B2403GS1U	B2403GS2U	B2403GD1U	B2403GD2U
	$\pm 15\text{V}/67\text{m A}$	2.00W	B2405GS1U	B2405GS2U	B2405GD1U	B2405GD2U
			B2409GS1U	B2409GS2U	B2409GD1U	B2409GD2U
			B2412GS1U	B2412GS2U	B2412GD1U	B2412GD2U
			B2415GS1U	B2415GS2U	B2415GD1U	B2415GD2U

PIN CONFIGURATION



TECHNICAL DATA
DATA SHEET 1102, REV. A

Mechanical Dimension: in inches / (mm)

