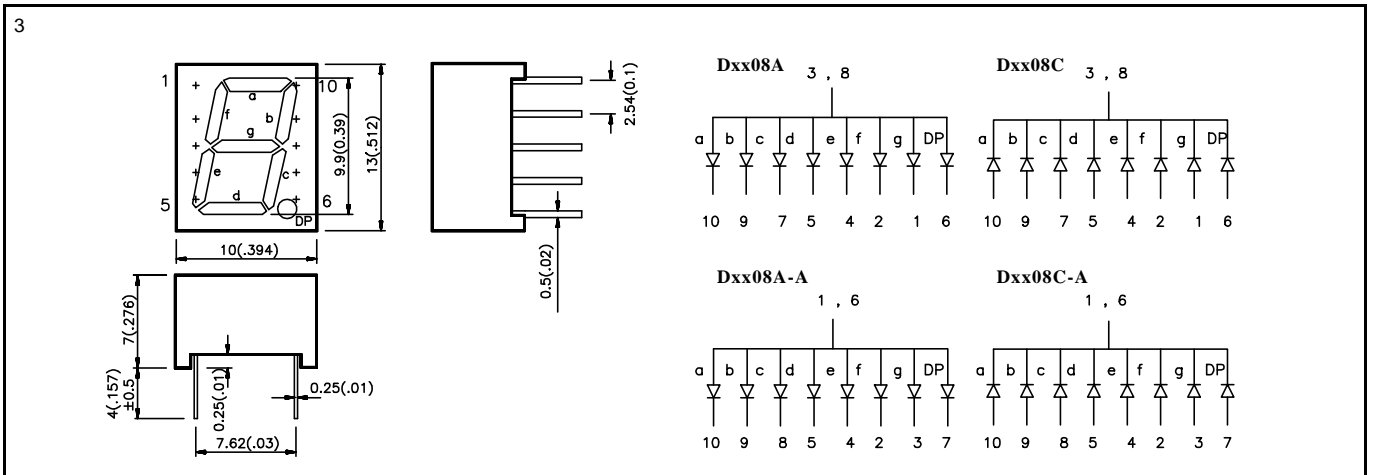
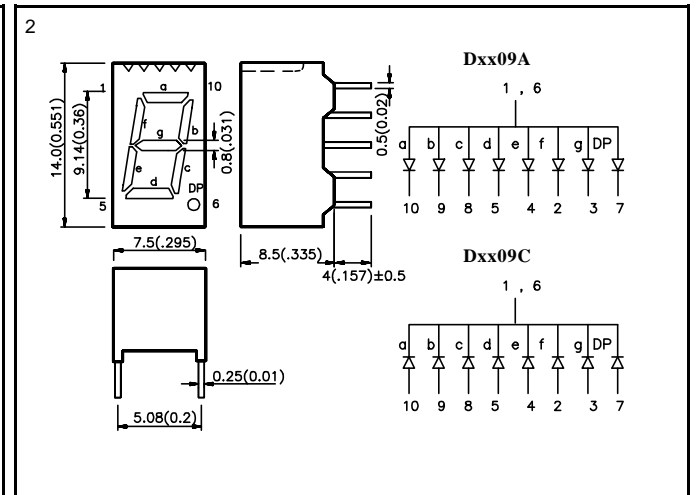
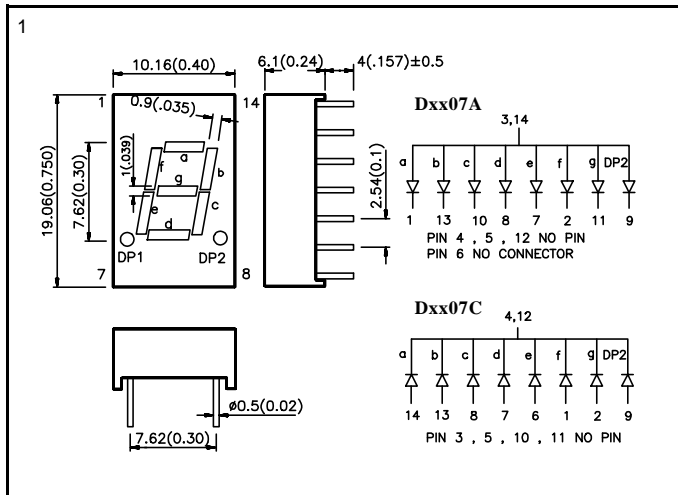


Single Digit Displays

Shape	Part Number	Emitting Color	Emitting Material	Wave Length (nm)	Luminous Intensity IF=10mA (ucd) Min. Max.	Common	Figure No.
0.3"(7.62mm)	DHR07A / DHR07C	Red	GaP	700	360 - 1400	Anode / Cathode	1
	DUR07A / DUR07C	Red	GaAsP/GaP	625	2200 - 9000	Anode / Cathode	
	DMR07A / DMR07C	Red	GaAlAs	660	5600 - 14000	Anode / Cathode	
	DUG07A / DUG07C	Green	GaP	565	1400 - 5600	Anode / Cathode	
	DUY07A / DUY07C	Yellow	GaAsP/GaP	590	1400 - 5600	Anode / Cathode	

0.36"(9.14mm)	DHR09A / DHR09C	Red	GaP	700	240 - 900	Anode / Cathode	2
	DUR09A / DUR09C	Red	GaAsP/GaP	625	900 - 3600	Anode / Cathode	
	DMR09A / DMR09C	Red	GaAlAs	660	2200 - 9000	Anode / Cathode	
	DUG09A / DUG09C	Green	GaP	565	900 - 3600	Anode / Cathode	
	DUY09A / DUY09C	Yellow	GaAsP/GaP	590	900 - 3600	Anode / Cathode	

0.39"(9.9mm)	DHR08A / DHR08C	Red	GaP	700	560 - 2200	Anode / Cathode	3
	DHR08A-A / DHR08C-A						
	DUR08A / DUR08C	Red	GaAsP/GaP	625	2200 - 9000	Anode / Cathode	
	DUR08A-A / DUR08C-A						
	DMR08A / DMR08C	Red	GaAlAs	660	5600 - 14000	Anode / Cathode	
	DMR08A-A / DMR08C-A						
	DUG08A / DUG08C	Green	GaP	565	1400 - 5600	Anode / Cathode	
	DUG08A-A / DUG08C-A						
DUY08A / DUY08C	Yellow	GaAsP/GaP	590	1400 - 5600	Anode / Cathode		
DUY08A-A / DUY08C-A							



Package Dimensions Units : mm
 Tolerance : .25mm (0.01")