

## CMOS Programmable Timer

High-Voltage Types (20-Volt Rating)

■ CD4536B is a programmable timer consisting of 24 ripple-binary counter stages. The salient feature of this device is its flexibility. The device can count from 1 to  $2^{24}$  or the first 8 stages can be bypassed to allow an output, selectable by a 4-bit code, from any one of the remaining 16 stages. It can be driven by an external clock or an RC oscillator that can be constructed using on-chip components. Input IN1 serves as either the external clock input or the input to the on-chip RC oscillator. OUT1 and OUT2 are connection terminals for the external RC components. In addition, an on-chip monostable circuit is provided to allow a variable pulse width output. Various timing functions can be achieved using combinations of these capabilities.

A logic 1 on the 8-BYPASS input enables a bypass of the first 8 stages and makes stage 9 the first counter stage of the last 16 stages. Selection of 1 of 16 outputs is accomplished by the decoder and the BCD inputs A, B, C and D. MONO IN is the timing input for the on-chip monostable oscillator. Grounding of the MONO IN terminal through a resistor of 10K ohms or higher, disables the one-shot circuit and connects the decoder directly to the DECODE OUT terminal. A resistor to  $V_{DD}$  and a capacitor to ground from the MONO IN terminal enables the one-shot circuit and controls its pulse width.

A fast test mode is enabled by a logic 1 on 8-BYPASS, SET, and RESET. This mode

### Features:

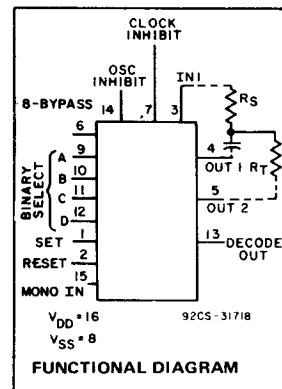
- 24 flip-flop stages — counts from  $2^0$  to  $2^{24}$
- Last 16 stages selectable by BCD select code
- Bypass input allows bypassing first 8 stages
- On-chip RC oscillator provision
- Clock inhibit input
- Schmitt-trigger in clock line permits operation with very long rise and fall times
- On-chip monostable output provision
- Typical  $f_{CL} = 3$  MHz at  $V_{DD} = 10$  V
- Test mode allows fast test sequence
- Set and reset inputs
- Capable of driving two low power TTL loads, one lower-power Schottky load, or two HTL loads over the rated temperature range
- Standardized, symmetrical output characteristics
- 100% tested for quiescent current at 20 V
- 5-V, 10-V, and 15-V parametric ratings
- Meets all requirements of JEDEC Tentative Standard No. 13B, "Standard Specifications for Description of 'B' Series CMOS Devices"

divides the 24-stage counter into three 8-stage sections to facilitate a fast test sequence.

The CD4536B types are supplied in 16-lead hermetic dual-in-line ceramic packages (D and F suffixes), 16-lead dual-in-line plastic packages (E suffix), and in chip form (H suffix).

### MAXIMUM RATINGS, Absolute-Maximum Values:

DC SUPPLY-VOLTAGE RANGE, ( $V_{DD}$ )	
Voltages referenced to $V_{SS}$ Terminal)	-0.5V to +20V
INPUT VOLTAGE RANGE, ALL INPUTS	-0.5V to $V_{DD} + 0.5V$
DC INPUT CURRENT, ANY ONE INPUT	$\pm 10$ mA
POWER DISSIPATION PER PACKAGE ( $P_D$ ):	
For $T_A = -55^\circ\text{C}$ to $+100^\circ\text{C}$	500mW
For $T_A = +100^\circ\text{C}$ to $+125^\circ\text{C}$	Derate Linearly at 12mW/°C to 200mW
DEVICE DISSIPATION PER OUTPUT TRANSISTOR	
FOR $T_A = \text{FULL PACKAGE-TEMPERATURE RANGE (All Package Types)}$	100mW
OPERATING-TEMPERATURE RANGE ( $T_A$ )	$-55^\circ\text{C}$ to $+125^\circ\text{C}$
STORAGE TEMPERATURE RANGE ( $T_{stg}$ )	$-65^\circ\text{C}$ to $+150^\circ\text{C}$
LEAD TEMPERATURE (DURING SOLDERING):	
At distance 1/16 $\pm$ 1/32 inch (1.59 $\pm$ 0.79mm) from case for 10s max	$+265^\circ\text{C}$



### RECOMMENDED OPERATING CONDITIONS

For maximum reliability, nominal operating conditions should be selected so that operation is always within the following ranges:

CHARACTERISTIC	LIMITS		UNITS
	Min.	Max.	
Supply-Voltage Range (For $T_A = \text{Full Package Temperature Range}$ )	3	18	V

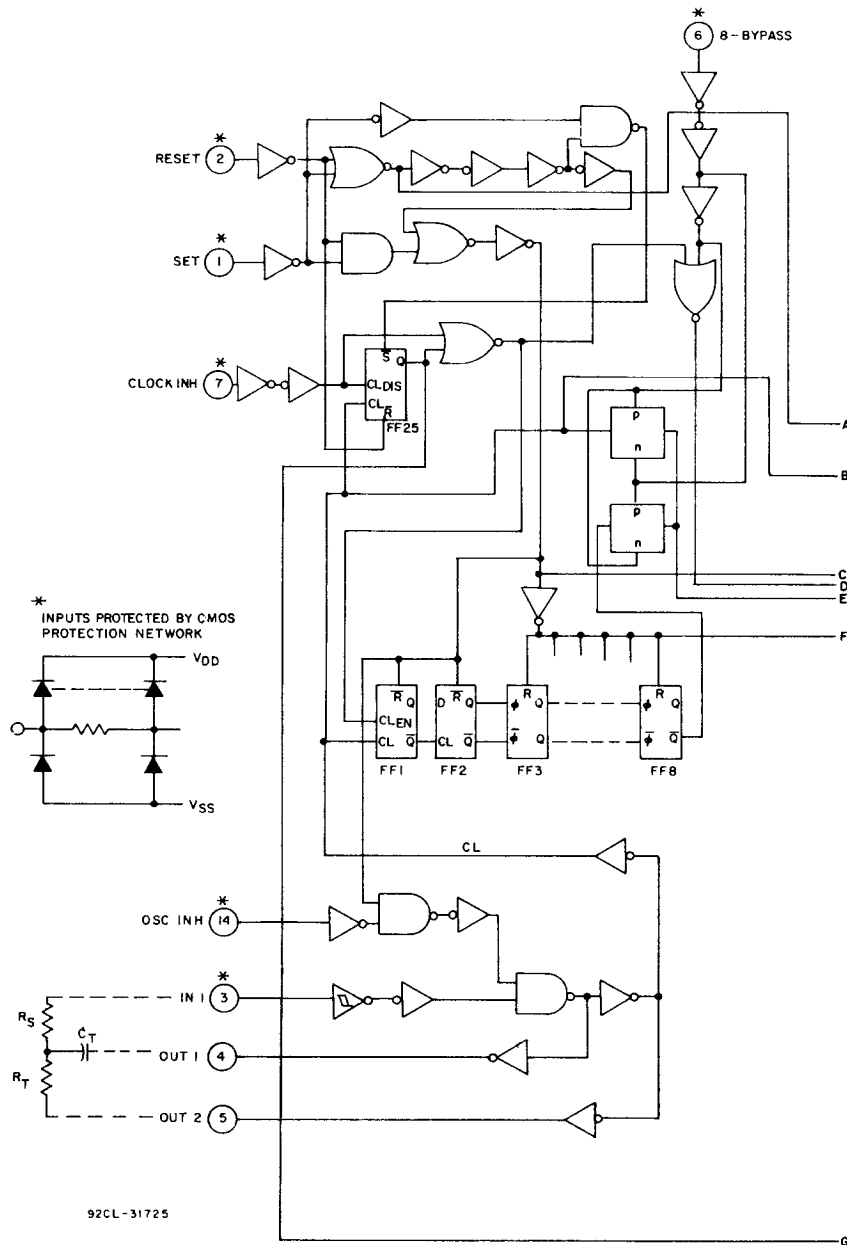
### DECODE OUT SELECTION TABLE

D	C	B	A	NUMBER OF STAGES IN DIVIDER CHAIN	
				8-BYPASS = 0	8-BYPASS = 1
0	0	0	0	9	1
0	0	0	1	10	2
0	0	1	0	11	3
0	0	1	1	12	4
0	1	0	0	13	5
0	1	0	1	14	6
0	1	1	0	15	7
0	1	1	1	16	8
1	0	0	0	17	9
1	0	0	1	18	10
1	0	1	0	19	11
1	0	1	1	20	12
1	1	0	0	21	13
1	1	0	1	22	14
1	1	1	0	23	15
1	1	1	1	24	16

0 = Low Level      1 = High Level

3  
COMMERCIAL CMOS  
HIGH VOLTAGE ICs

# CD4536B Types



92CL-31725

Fig.6 - Logic diagram for CD4536B [continued on next page].

NOTE:  $f \approx \frac{1}{3R_T C_T}$ ,  $R_S \approx (5 \rightarrow 10) \times R_T$

# CD4536B Types

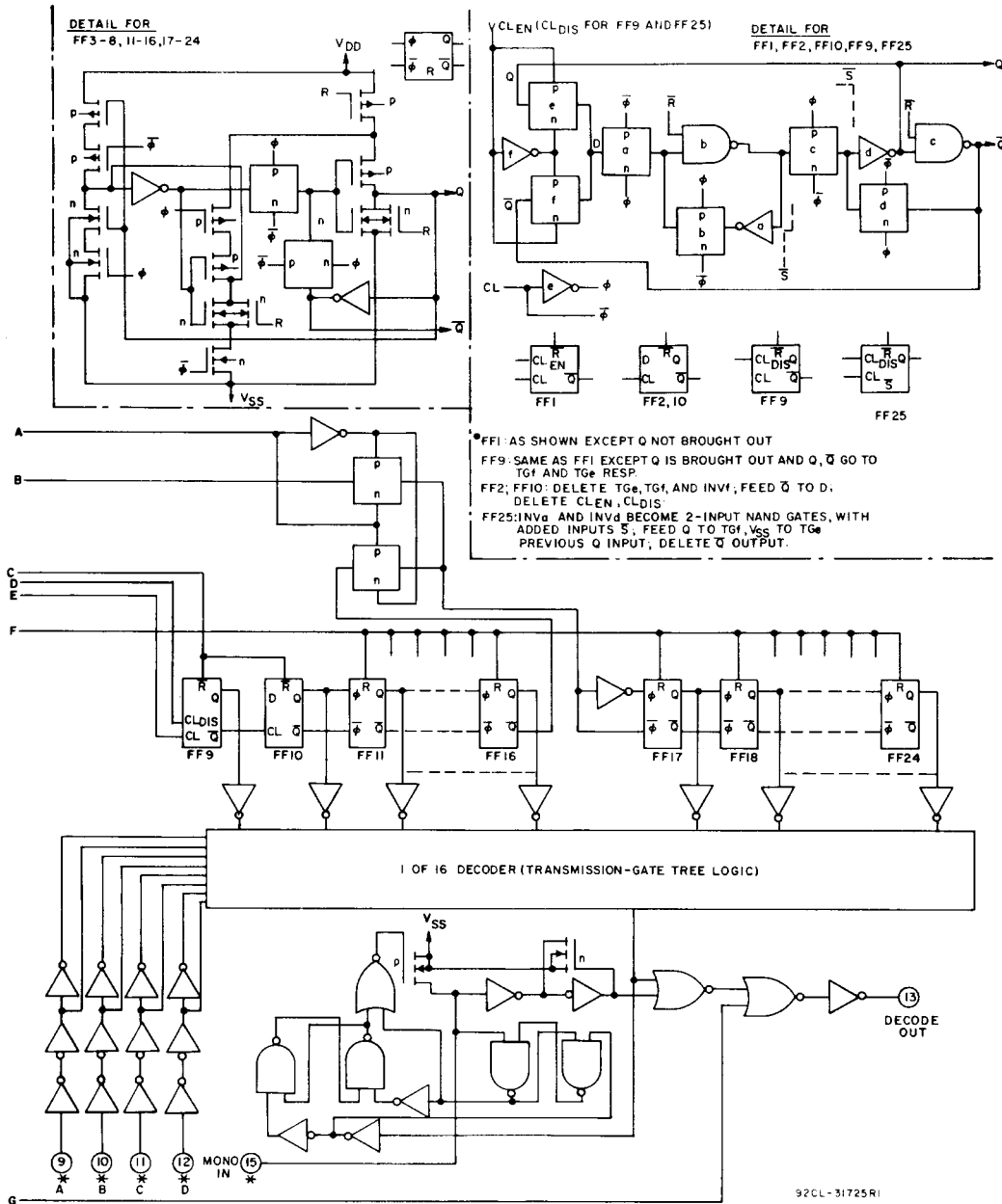


Fig.6 - Logic diagram for CD4536B [continued from previous page].

## CD4536B Types

**DYNAMIC ELECTRICAL CHARACTERISTICS, at  $T_A = 25^\circ\text{C}$ , Input  $t_r, t_f = 20\text{ ns}$ ,  $C_L = 50\text{ pF}$ ,  $R_L = 200\text{ k}\Omega$**

CHARACTERISTIC	$V_{DD}$ (V)	LIMITS			UNITS
		Min.	Typ.	Max.	
Propagation Delay Times: Clock to Q1, 8-Bypass High $t_{PHL}, t_{PLH}$	5	—	1	2	$\mu\text{S}$
	10	—	0.5	1	
	15	—	0.35	0.7	
Clock to Q1, 8-Bypass Low $t_{PHL}, t_{PLH}$	5	—	2.5	5	$\mu\text{S}$
	10	—	0.8	1.6	
	15	—	0.6	1.2	
Clock to Q16, $t_{PHL}, t_{PLH}$	5	—	4	8	$\mu\text{S}$
	10	—	1.5	3	
	15	—	1	2	
$Q_n$ to $Q_{n+1}$ , $t_{PHL}, t_{PLH}$	5	—	150	300	ns
	10	—	75	150	
	15	—	50	100	
Set to $Q_n$ , $t_{PLH}$	5	—	300	600	ns
	10	—	125	250	
	15	—	80	160	
Reset to $Q_n$ , $t_{PHL}$	5	—	3	6	$\mu\text{S}$
	10	—	1	2	
	15	—	0.75	1.5	
Transition Time, $t_{THL}, t_{TLH}$	5	—	100	200	ns
	10	—	50	100	
	15	—	40	80	
Minimum Pulse Widths: Clock	5	—	200	400	ns
	10	—	75	150	
	15	—	50	100	
Set	5	—	200	400	ns
	10	—	100	200	
	15	—	60	120	
Reset	5	—	3	6	$\mu\text{S}$
	10	—	1	2	
	15	—	0.75	1.5	
Minimum Set Recovery Time,	5	—	2.5	5	$\mu\text{S}$
	10	—	1	2	
	15	—	0.6	1.6	
Minimum Reset Recovery Time,	5	—	3.5	7	$\mu\text{S}$
	10	—	1.5	3	
	15	—	1	2	
Maximum Clock Pulse Input Frequency, $f_{CL}$	5	0.5	1	—	MHz
	10	1.5	3	—	
	15	2.5	5	—	
Maximum Clock Pulse Input Rise or Fall Time, $t_r, t_f$	5, 10, 15	Unlimited			$\mu\text{S}$

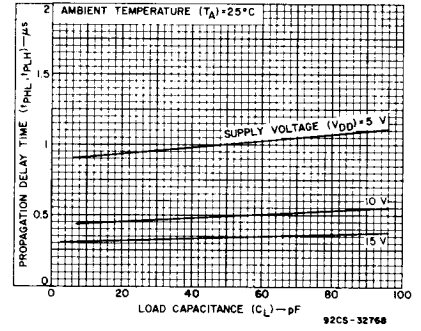
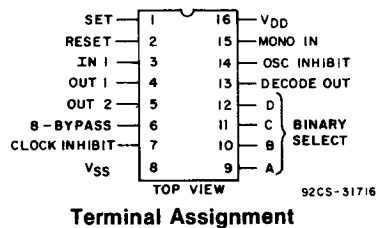


Fig. 7—Typical propagation delay time as a function of load capacitance (CLOCK to  $Q_1$ , 8-BYPASS high).

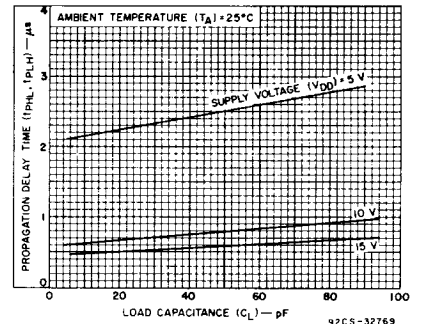


Fig. 8—Typical propagation delay time as a function of load capacitance (CLOCK to  $Q_1$ , 8-BYPASS low).

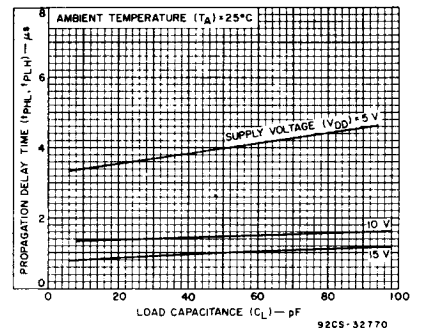


Fig. 9—Typical propagation delay time as a function of load capacitance (CLOCK to  $Q_{16}$ , 8-BYPASS high).

**3**  
COMMERCIAL CMOS  
HIGH VOLTAGE ICs

# CD4536B Types

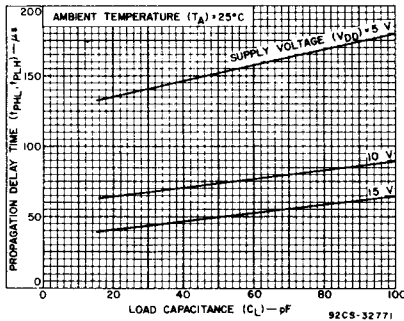


Fig. 10—Typical propagation delay time as a function of load capacitance ( $Q_N$  to  $Q_{N+1}$ ).

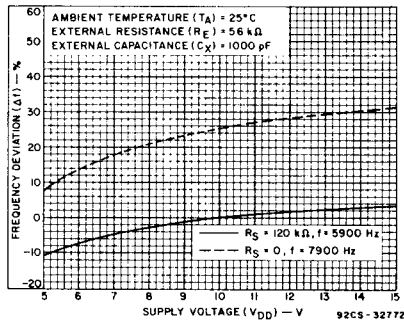


Fig. 11—Typical RC oscillator frequency deviation as a function of supply voltage.

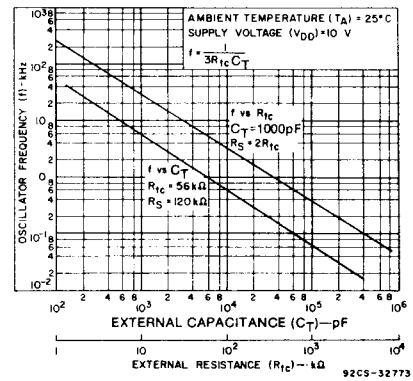


Fig. 12—Typical RC oscillator frequency deviation as a function of time constant resistance and capacitance.

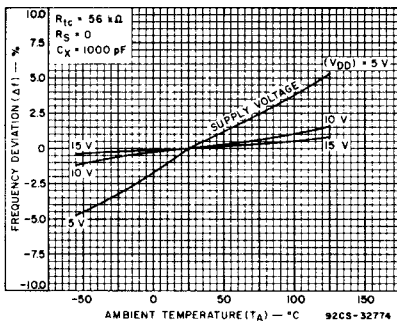


Fig. 13—Typical RC oscillator frequency deviation as a function of ambient temperature ( $R_S = 0$ ).

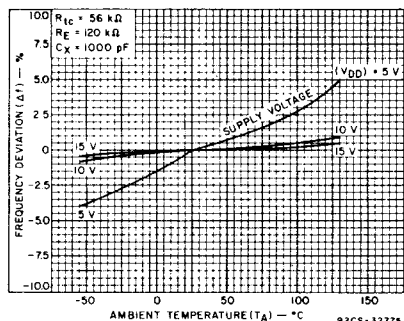


Fig. 14—Typical RC oscillator frequency deviation as a function of ambient temperature ( $R_S = 120$  kΩ).

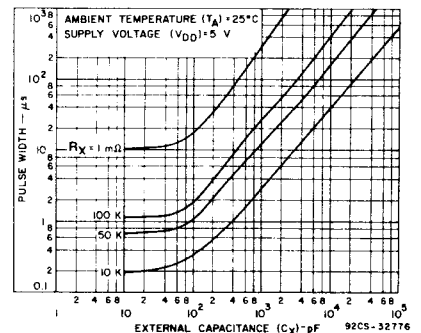


Fig. 15—Typical pulse width as a function of external capacitance ( $V_{DD} = 5$  V).

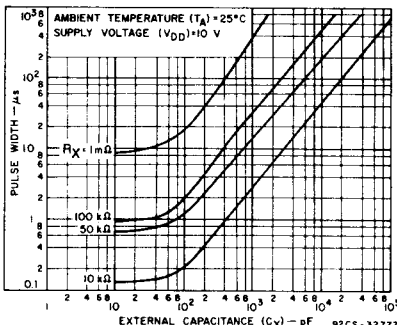


Fig. 16—Typical pulse width as a function of external capacitance ( $V_{DD} = 10$  V).

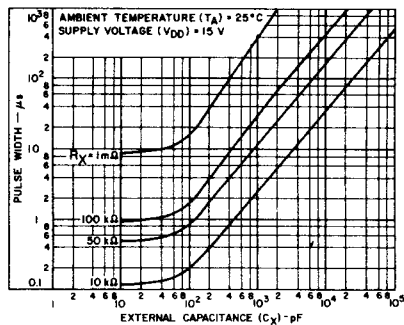


Fig. 17—Typical pulse width as a function of external capacitance ( $V_{DD} = 15$  V).

Functional Test Sequence					
Inputs				Outputs	Comments
In <sub>1</sub>	Set	Reset	8-Bypass	Decode Out Q1 thru Q24	
1	0	1	1	0	All 24 steps are in Reset mode
1	1	1	1	0	Counter is in three 8-stage section in parallel mode
0	1	1	1	0	First "1" to "0" transition of clock
1	0	—	—	—	255 "1" to "0" transitions are clocked in the counter
—	1	1	1	—	
0	1	1	1	1	The 255 "1" to "0" transition
0	0	0	0	1	Counter converted back to 24 stages in series mode
—	—	—	—	—	Set and Reset must be connected together and simultaneously go from "1" to "0"
1	0	0	0	1	In <sub>1</sub> Switches to a "1"
0	0	0	0	0	Counter Ripples from an all "1" state to an all "0" state

## FUNCTIONAL TEST SEQUENCE

Test Function (Figure 23) has been included for the reduction of test time required to exercise all 24 counter stages. This test function divides the counter into three 8-stage sections and 255 counts are

loaded in each of the 8-stage sections in parallel. All flip-flops are now at a "1". The counter is now returned to the normal 24-steps in series configuration. One more pulse is entered into In<sub>1</sub> which will cause the counter to ripple from an all "1" state to an all "0" state.

# CD4536B Types

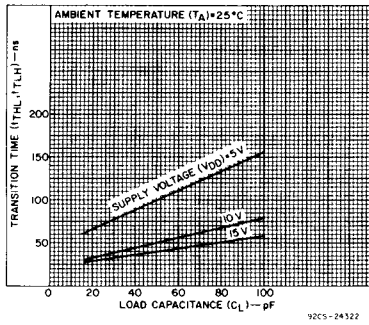


Fig. 18—Typical transition time as a function of load capacitance.

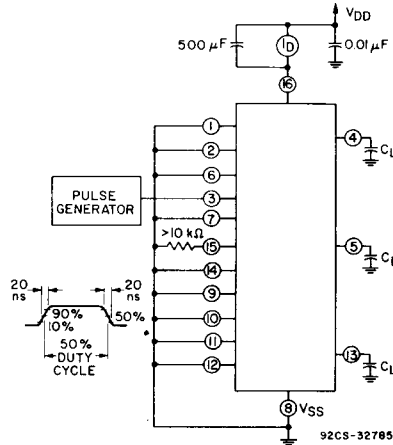


Fig. 20—Dynamic power dissipation test circuit and waveform.

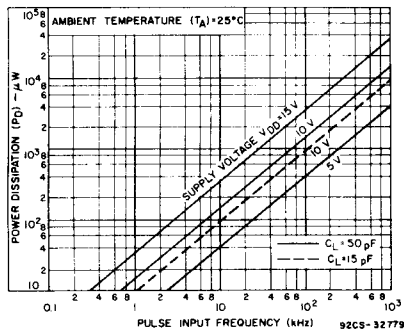


Fig. 19—Typical dynamic power dissipation as a function of input pulse frequency.

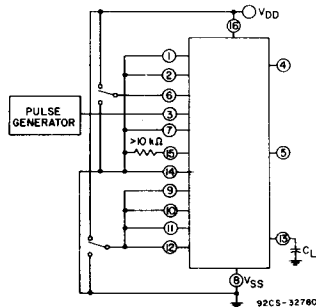


Fig. 21—Switching time test circuit.

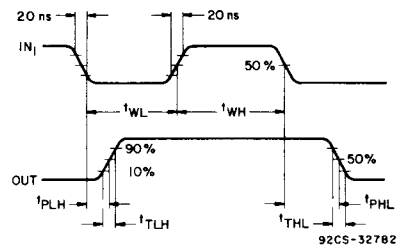


Fig. 22—Input waveforms for switching-time test circuit.

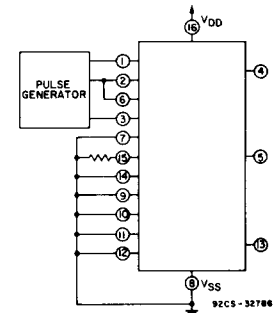


Fig. 23—Functional test circuit.

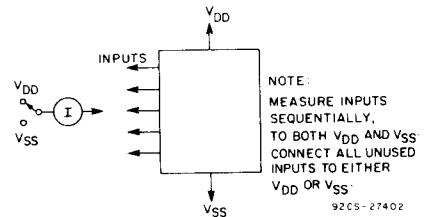


Fig. 24—Input-current test circuit.

## TRUTH TABLE

IN1	SET	RESET	CLOCK INH	OSC INH	OUT1	OUT2	DECODE OUT
	0	0	0	0			No Change
	0	0	0	0			Advance to Next State
X	1	0	0	0	0	1	1
X	0	1	0	0	0	1	0
X	0	0	1	0			No Change
0	0	0	0	X	0	1	No Change
1	0	0	0				Advance to Next State

0 = Low Level    1 = High Level    X = Don't Care

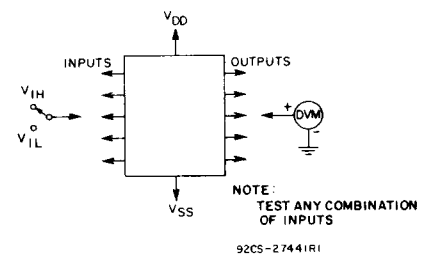


Fig. 25—Input-voltage test circuit.

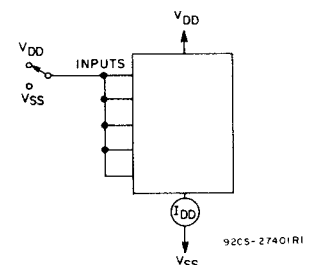


Fig. 26—Quiescent-device current test circuit.

3  
COMMERCIAL CMOS  
HIGH VOLTAGE ICs

# CD4536B Types

## APPLICATIONS

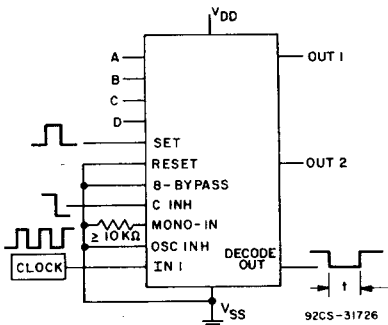


Fig. 27—Time interval configuration using external clock; set and clock inhibit functions.

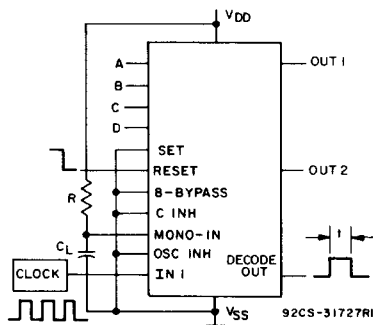


Fig. 28—Time interval configuration using external clock; reset and output monostable to achieve a pulse output.

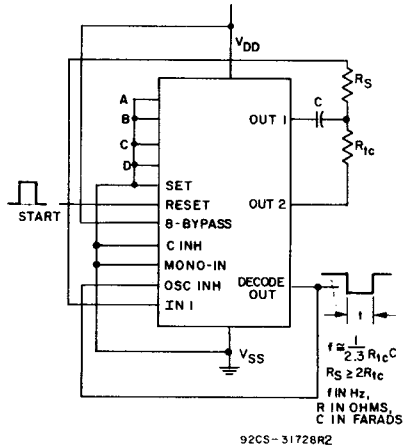


Fig. 29—Time interval configuration using on-chip RC oscillator and reset input to initiate time interval.

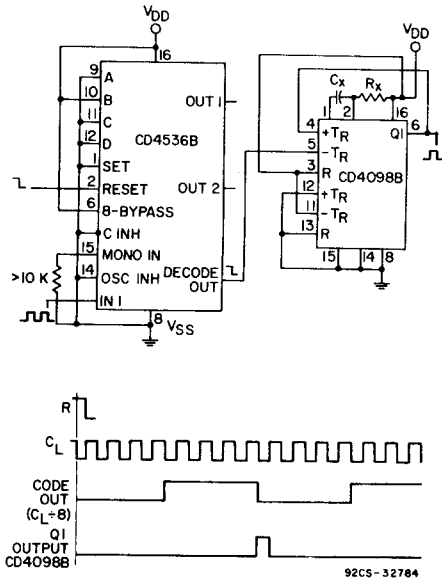
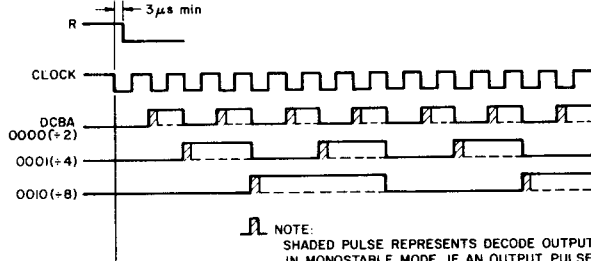


Fig. 30—Application showing use of CD4098B and CD4536B to get decode pulse 8 clock pulses after Reset pulse.



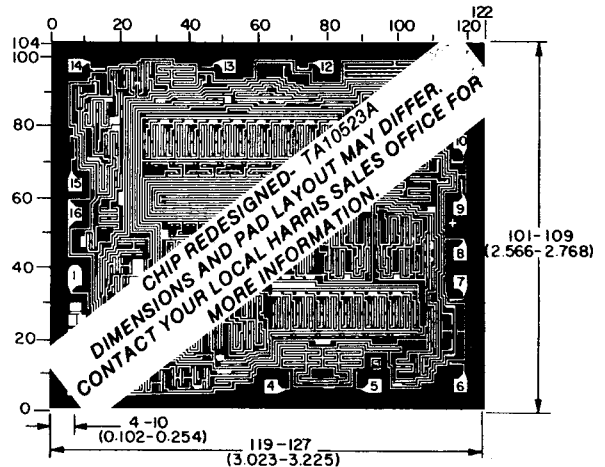
NOTE:  
SHADED PULSE REPRESENTS DECODE OUTPUT IN MONOSTABLE MODE. IF AN OUTPUT PULSE IS REQUIRED 1 FULL-COUNT-DOWN AFTER REMOVAL OF RESET PULSE, SEE FIG. 31 FOR USE OF CD4098B.

92CS-32783

Fig. 31—CD4536B Timing Diagram.

Dimensions and pad layout for CD4536BH.

Dimensions in parentheses are in millimeters and are derived from the basic inch dimensions as indicated. Grid graduations are in mils ( $10^{-3}$  inch).



92CM-32787