

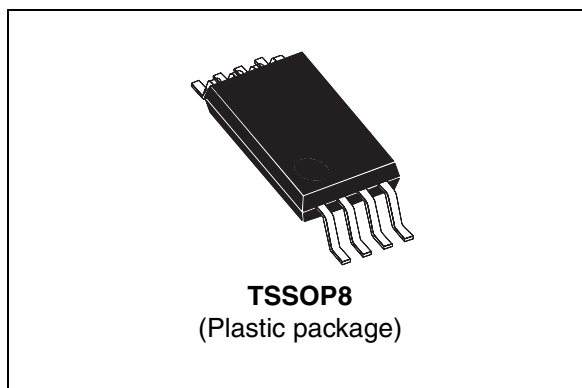
High-side current sense amplifier

Features

- Wide common-mode operating range independent of supply: 2.8 to 30 V
- Wide common-mode surviving range: -32 to 60 V (reversed battery and load-dump conditions)
- Maximum input offset voltage:
 - ± 1.5 mV for $T_{amb} = 25^{\circ}\text{C}$
 - ± 2.3 mV for $-40^{\circ}\text{C} < T_{amb} < 125^{\circ}\text{C}$
- Maximum total output voltage error:
 - $\pm 1.5\%$ for $T_{amb} = 25^{\circ}\text{C}$
 - $\pm 2.5\%$ for $-40^{\circ}\text{C} < T_{amb} < 125^{\circ}\text{C}$
- Maximum variation over temperature:
 - $dV_{os}/dT = 8 \mu\text{V}/^{\circ}\text{C}$
 - $dV_{out}/dT = 100 \text{ ppm}/^{\circ}\text{C}$
- Low current consumption: $I_{CC} \text{ max} = 300 \mu\text{A}$
- -40 to 125°C operating temperature range
- Internally fixed gain: 20 V/V, 50 V/V
- EMI filtering

Applications

- Automotive current monitoring
- Notebook computers
- Server power supplies
- Telecom equipment
- Industrial SMPS
- Current sharing
- LED current measurement



Description

The TSC1021 measures a small differential voltage on a high-side shunt resistor and translates it into a ground-referenced output voltage.

The TSC1021 has been specifically designed to deal with automotive conditions: load-dump protection up to 60 V, reverse-battery protection up to -32 V, ESD protection up to 4 kV and internal filtering for EMI performance.

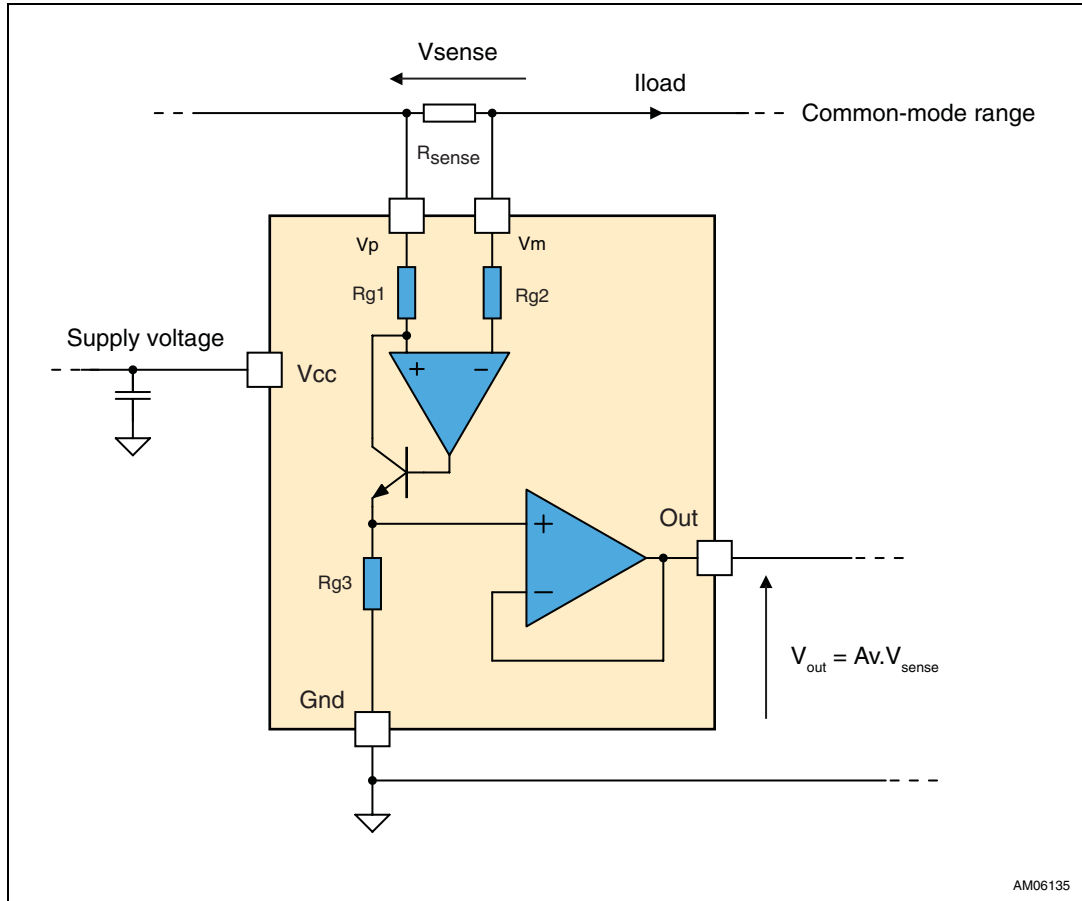
Input common-mode and power supply voltages are independent: the common-mode voltage can range from 2.8 to 30 V in operating conditions and up to 60 V in absolute maximum ratings while the TSC1021 can be supplied by a 5 V independent supply line.

The TSC1021 is housed in a tiny TSSOP8 package and integrates a buffer that provides low impedance output to ease interfacing and avoid accuracy losses. The overall device current consumption is lower than 300 μA .

1 Application diagram

The TSC1021 high-side current-sense amplifier features a 2.8 to 30 V input common-mode range that is independent of the supply voltage. The main advantage of this feature is that it allows high-side current sensing at voltages much greater than the supply voltage (V_{CC}).

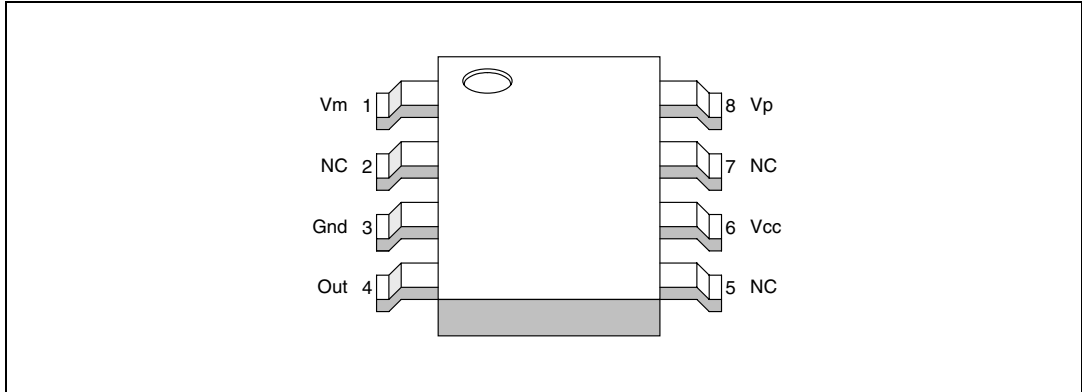
Figure 1. Application schematic: high-line current sensing



AM06135

2 Pin configuration

Figure 2. Pin connections (top view)



[Table 1](#) describes the function of each pin. Their position is shown in the illustration on the cover page and in [Figure 1](#) above.

Table 1. Pin description

Pin number	Symbol	Type	Function
1	V_m	Analog input	Connection for the external sense resistor. The measured current exits the shunt on the V_m side.
3	Gnd	Power supply	Ground line
4	Out	Analog output	Buffered output of the current sensing amplifier
6	V_{CC}	Power supply	Positive power supply line
8	V_p	Analog input	Connection for the external sense resistor. The measured current enters the shunt on the V_p side.

3 Absolute maximum ratings and operating conditions

Table 2. Absolute maximum ratings

Symbol	Parameter	Value	Unit
V_{id}	Input pins differential voltage ($V_p - V_m$)	± 20	V
V_i	Current sensing input pin voltages (V_p and V_m) ⁽¹⁾	-32 to 60	V
V_1	Voltage for Vcc, Out pins ⁽¹⁾	-0.3 to 7	V
T_{stg}	Storage temperature	-65 to 150	°C
T_j	Maximum junction temperature	150	°C
R_{thja}	TSSOP8 thermal resistance junction to ambient	120	°C/W
ESD	HBM: human body model for V_p and V_m pins ⁽²⁾	4	kV
	HBM: human body model ⁽²⁾	2	kV
	MM: machine model ⁽³⁾	250	V
	CDM: charged device model ⁽⁴⁾	1.5	kV

1. Voltage values are measured with respect to the GND pin.
2. Human body model: a 100 pF capacitor is charged to the specified voltage, then discharged through a 1.5k Ω resistor between two pins of the device. This is done for all couples of connected pin combinations while the other pins are floating.
3. Machine model: a 200 pF capacitor is charged to the specified voltage, then discharged directly between two pins of the device with no external series resistor (internal resistor < 5 Ω). This is done for all couples of connected pin combinations while the other pins are floating.
4. Charged device model: all pins and package are charged together to the specified voltage and then discharged directly to ground.

Table 3. Operating conditions

Symbol	Parameter	Value	Unit
V_{CC}	DC supply voltage from T_{min} to T_{max}	3.5 to 5.5	V
T_{oper}	Operational temperature range (T_{min} to T_{max})	-40 to 125	°C
V_{icm}	Common mode voltage range (V_m and V_p pins voltages)	2.8 to 30	V

4 Electrical characteristics

The electrical characteristics given in the following tables are measured under the following test conditions unless otherwise specified: $T_{amb} = 25^{\circ}\text{C}$, $V_{CC} = 5\text{ V}$, $V_{sense} = V_p - V_m = 50\text{ mV}$, $V_m = 12\text{ V}$, no load on Out, all gain configurations.

Table 4. Supply

Symbol	Parameter	Test conditions	Min.	Typ.	Max.	Unit
I_{CC}	Total supply current	$V_{sense} = 0\text{ V}$ $-40^{\circ}\text{C} < T_{amb} < 125^{\circ}\text{C}$			300	μA
I_{CC1}	Total supply current	$V_{sense} = 50\text{ mV}$ $-40^{\circ}\text{C} < T_{amb} < 125^{\circ}\text{C}$			450	μA

Table 5. Electrical performances

Symbol	Parameter	Test conditions	Min.	Typ.	Max.	Unit
DC CMR	DC common-mode rejection Variation of V_{out} versus V_m referred to input ⁽¹⁾	$2.8\text{ V} < V_m < 30\text{ V}$ $-40^{\circ}\text{C} < T_{amb} < 125^{\circ}\text{C}$	90	105		dB
AC CMR	AC common mode rejection Variation of V_{out} versus V_m referred to input (peak-to-peak voltage variation)	$2.8\text{ V} < V_m < 30\text{ V}$ DC to 1 kHz sine wave		75		dB
SVR	Supply voltage rejection Variation of V_{out} versus V_{CC} ⁽¹⁾	$3.5\text{ V} < V_{CC} < 5.5\text{ V}$ $-40^{\circ}\text{C} < T_{amb} < 125^{\circ}\text{C}$	80	95		dB
V_{os}	Input offset voltage ⁽¹⁾	$2.8\text{ V} < V_m < 30\text{ V}$ $T_{amb} = 25^{\circ}\text{C}$ $-40^{\circ}\text{C} < T_{amb} < 125^{\circ}\text{C}$			± 1.5 ± 2.3	mV
dV_{os}/dT	Input offset drift vs. T	$-40^{\circ}\text{C} < T_{amb} < 125^{\circ}\text{C}$			8	$\mu\text{V}/^{\circ}\text{C}$
dV_{out}/dT	Output voltage drift vs. T	$-40^{\circ}\text{C} < T_{amb} < 125^{\circ}\text{C}$			100	ppm/ $^{\circ}\text{C}$
I_{lk}	Input leakage current	$V_{CC} = 0\text{ V}$ $-40^{\circ}\text{C} < T_{amb} < 125^{\circ}\text{C}$			1	μA
I_{ib}	Input bias current	$V_{sense} = 0\text{ V}$ $-40^{\circ}\text{C} < T_{amb} < 125^{\circ}\text{C}$			7	μA
A_v	Gain (variation of V_{out} versus V_{sense})	TSC1021A TSC1021B		20 50		V/V
ΔV_{out}	Total output voltage accuracy ⁽²⁾	$V_{sense} = 50\text{ mV}$ $T_{amb} = 25^{\circ}\text{C}$ $T_{min} < T_{amb} < T_{max}$			± 1.5 ± 2.5	%
ΔV_{out}	Total output voltage accuracy ⁽²⁾	$V_{sense} = 100\text{ mV}$ $T_{amb} = 25^{\circ}\text{C}$ $T_{min} < T_{amb} < T_{max}$			± 1.5 ± 2.5	%
ΔV_{out}	Total output voltage accuracy ⁽²⁾	$V_{sense} = 20\text{ mV}$ $T_{amb} = 25^{\circ}\text{C}$ $T_{min} < T_{amb} < T_{max}$			± 7 ± 9	%

Table 5. Electrical performances

Symbol	Parameter	Test conditions	Min.	Typ.	Max.	Unit
ΔV_{out}	Total output voltage accuracy ⁽²⁾	$V_{sense} = 10 \text{ mV}$ $T_{amb} = 25^\circ \text{C}$ $T_{min} < T_{amb} < T_{max}$			± 12 ± 15	%
$\Delta V_{out}/\Delta I_{out}$	Output stage load regulation	$-5 \text{ mA} < I_{out} < 5 \text{ mA}$ I_{out} sink or source current		± 0.4	± 2	mV/mA
V_{oh}	Out high level saturation voltage $V_{oh} = V_{cc} - V_{out}$	$V_{sense} = 1 \text{ V}$, $I_{out} = 1 \text{ mA}$ $T_{amb} = 25^\circ \text{C}$ $-40^\circ \text{C} < T_{amb} < 125^\circ \text{C}$		90	135 185	mV
V_{ol}	Out low level saturation voltage	$V_{sense} = -1 \text{ V}$, $I_{out} = 1 \text{ mA}$ $T_{amb} = 25^\circ \text{C}$ $-40^\circ \text{C} < T_{amb} < 125^\circ \text{C}$		80	125 165	mV

1. See [Chapter 5: Parameter definitions](#).

2. Output voltage accuracy is the difference with the expected theoretical output voltage $V_{out-th} = A_v \times V_{sense}$.
See [Chapter 5: Parameter definitions](#) for a more detailed definition.

Table 6. Dynamic performances

Symbol	Parameter	Test conditions	Min.	Typ.	Max.	Unit
t_s	V_{out} settling to 1% final value	$V_{sense} = 10 \text{ mV}$ to 100 mV , $C_{load} = 47 \text{ pF}$		7		μs
SR	Slew rate	$V_{sense} = 10 \text{ mV}$ to 100 mV	0.3	0.45		V/ μs
BW	3 dB bandwidth	$C_{load} = 47 \text{ pF}$		800		kHz
e_N	Equivalent input noise voltage	$f = 1 \text{ kHz}$		50		$\text{nV}/\sqrt{\text{Hz}}$

5 Parameter definitions

5.1 Common mode rejection ratio (CMR)

The common-mode rejection ratio (CMR) measures the ability of the current-sensing amplifier to reject any DC voltage applied on both inputs V_p and V_m . The CMR is referred back to the input so that its effect can be compared with the applied differential signal. The CMR is defined by the formula:

$$\text{CMR} = -20 \cdot \log \frac{\Delta V_{\text{out}}}{\Delta V_{\text{icm}} \cdot A_v}$$

5.2 Supply voltage rejection ratio (SVR)

The supply-voltage rejection ratio (SVR) measures the ability of the current-sensing amplifier to reject any variation of the supply voltage V_{CC} . The SVR is referred back to the input so that its effect can be compared with the applied differential signal. The SVR is defined by the formula:

$$\text{SVR} = -20 \cdot \log \frac{\Delta V_{\text{out}}}{\Delta V_{\text{cc}} \cdot A_v}$$

5.3 Gain (A_v) and input offset voltage (V_{os})

The input offset voltage is defined as the intersection between the linear regression of the V_{out} vs. the V_{sense} curve with the X-axis. If V_{out1} is the output voltage with $V_{\text{sense}} = V_{\text{sense1}} = 50 \text{ mV}$ and V_{out2} is the output voltage with $V_{\text{sense}} = V_{\text{sense2}} = 5 \text{ mV}$, then V_{os} can be calculated with the following formula.

$$V_{os} = V_{\text{sense1}} - \left(\frac{V_{\text{sense1}} - V_{\text{sense2}}}{V_{\text{out1}} - V_{\text{out2}}} \cdot V_{\text{out1}} \right)$$

5.4 Output voltage drift versus temperature

The output voltage drift versus temperature is defined as the maximum variation of V_{out} with respect to its value at 25°C , over the temperature range. It is calculated as follows:

$$\frac{\Delta V_{\text{out}}}{\Delta T} = \max \left| \frac{V_{\text{out}}(T_{\text{amb}}) - V_{\text{out}}(25^\circ\text{C})}{T_{\text{amb}} - 25^\circ\text{C}} \right|$$

with $T_{\text{min}} < T_{\text{amb}} < T_{\text{max}}$.

5.5 Output voltage accuracy

The output voltage accuracy is the difference between the actual output voltage and the theoretical output voltage. Ideally, the current sensing output voltage should be equal to the input differential voltage multiplied by the theoretical gain, as in the following formula.

$$V_{\text{out-th}} = A_v \cdot V_{\text{sense}}$$

The actual value is very slightly different, mainly due to the effects of:

- the input offset voltage V_{OS} ,
- the non-linearity,
- the voltage saturation of V_{OL} and V_{OH} .

The output voltage accuracy, expressed as a percentage, can be calculated with the following formula.

$$\Delta V_{\text{out}} = \frac{\text{abs}(V_{\text{out}} - (A_v \cdot V_{\text{sense}}))}{A_v \cdot V_{\text{sense}}}$$

with $A_v = 20 \text{ V/V}$ for TSC1021A and $A_v = 50 \text{ V/V}$ for TSC1021B.

6 Package information

In order to meet environmental requirements, ST offers these devices in different grades of ECOPACK® packages, depending on their level of environmental compliance. ECOPACK® specifications, grade definitions and product status are available at: www.st.com. ECOPACK® is an ST trademark.

Figure 3. TSSOP8 package mechanical drawing

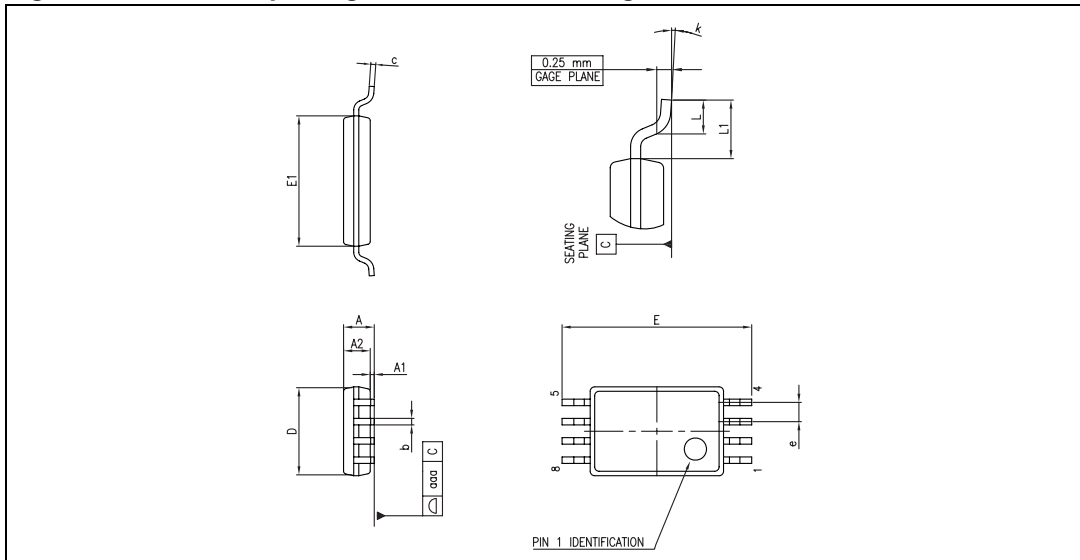


Table 7. TSSOP8 package mechanical data

Ref.	Dimensions					
	Millimeters			Inches		
	Min.	Typ.	Max.	Min.	Typ.	Max.
A			1.20			0.047
A1	0.05		0.15	0.002		0.006
A2	0.80	1.00	1.05	0.031	0.039	0.041
b	0.19		0.30	0.007		0.012
c	0.09		0.20	0.004		0.008
D	2.90	3.00	3.10	0.114	0.118	0.122
E	6.20	6.40	6.60	0.244	0.252	0.260
E1	4.30	4.40	4.50	0.169	0.173	0.177
e		0.65			0.0256	
k	0°		8°	0°		8°
L	0.45	0.60	0.75	0.018	0.024	0.030
L1		1			0.039	
aaa			0.10			0.004

7 Ordering information

Table 8. Order codes

Part number	Temperature range	Package	Packaging	Marking	Gain
TSC1021AIPT	-40°C, +125°C	TSSOP8	Tape & reel	O21AI	20
TSC1021BIPT				O21BI	50
TSC1021AIYPT	-40°C, +125°C Automotive grade ⁽¹⁾			O21AY	20
TSC1021BIYPT				O21BY	50

1. Qualification and characterization according to AEC Q100 and Q003 or equivalent, advanced screening according to AEC Q001 & Q 002 or equivalent are ongoing.

8 Revision history

Table 9. Document revision history

Date	Revision	Changes
23-Sep-2010	1	Initial release.

Please Read Carefully:

Information in this document is provided solely in connection with ST products. STMicroelectronics NV and its subsidiaries ("ST") reserve the right to make changes, corrections, modifications or improvements, to this document, and the products and services described herein at any time, without notice.

All ST products are sold pursuant to ST's terms and conditions of sale.

Purchasers are solely responsible for the choice, selection and use of the ST products and services described herein, and ST assumes no liability whatsoever relating to the choice, selection or use of the ST products and services described herein.

No license, express or implied, by estoppel or otherwise, to any intellectual property rights is granted under this document. If any part of this document refers to any third party products or services it shall not be deemed a license grant by ST for the use of such third party products or services, or any intellectual property contained therein or considered as a warranty covering the use in any manner whatsoever of such third party products or services or any intellectual property contained therein.

UNLESS OTHERWISE SET FORTH IN ST'S TERMS AND CONDITIONS OF SALE ST DISCLAIMS ANY EXPRESS OR IMPLIED WARRANTY WITH RESPECT TO THE USE AND/OR SALE OF ST PRODUCTS INCLUDING WITHOUT LIMITATION IMPLIED WARRANTIES OF MERCHANTABILITY, FITNESS FOR A PARTICULAR PURPOSE (AND THEIR EQUIVALENTS UNDER THE LAWS OF ANY JURISDICTION), OR INFRINGEMENT OF ANY PATENT, COPYRIGHT OR OTHER INTELLECTUAL PROPERTY RIGHT.

UNLESS EXPRESSLY APPROVED IN WRITING BY AN AUTHORIZED ST REPRESENTATIVE, ST PRODUCTS ARE NOT RECOMMENDED, AUTHORIZED OR WARRANTED FOR USE IN MILITARY, AIR CRAFT, SPACE, LIFE SAVING, OR LIFE SUSTAINING APPLICATIONS, NOR IN PRODUCTS OR SYSTEMS WHERE FAILURE OR MALFUNCTION MAY RESULT IN PERSONAL INJURY, DEATH, OR SEVERE PROPERTY OR ENVIRONMENTAL DAMAGE. ST PRODUCTS WHICH ARE NOT SPECIFIED AS "AUTOMOTIVE GRADE" MAY ONLY BE USED IN AUTOMOTIVE APPLICATIONS AT USER'S OWN RISK.

Resale of ST products with provisions different from the statements and/or technical features set forth in this document shall immediately void any warranty granted by ST for the ST product or service described herein and shall not create or extend in any manner whatsoever, any liability of ST.

ST and the ST logo are trademarks or registered trademarks of ST in various countries.

Information in this document supersedes and replaces all information previously supplied.

The ST logo is a registered trademark of STMicroelectronics. All other names are the property of their respective owners.

© 2010 STMicroelectronics - All rights reserved

STMicroelectronics group of companies

Australia - Belgium - Brazil - Canada - China - Czech Republic - Finland - France - Germany - Hong Kong - India - Israel - Italy - Japan - Malaysia - Malta - Morocco - Philippines - Singapore - Spain - Sweden - Switzerland - United Kingdom - United States of America

www.st.com