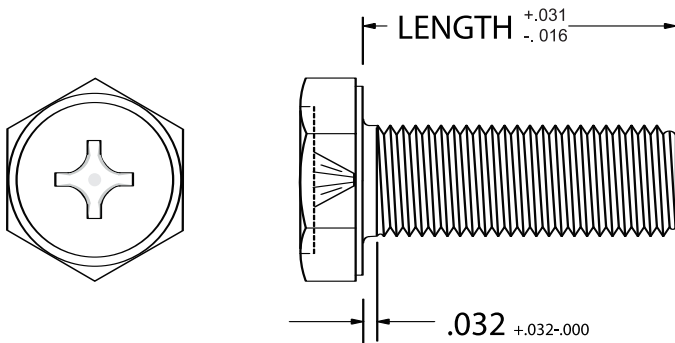


Genuine Aircraft Hardware Co.

NAS1801 and NAS 1802

Screw, Hex Head, Cruciform Recess, Full Thread, 160,000 PSI Tensile Minimum Alloy Steel and A286 Corrosion Resistant Steel

These replace NAS1096 of same sizes.



FIRST DASH NO.	THREAD SIZE	HEX SIZE	DRIVER #
04	4 - 40	3/16	1
06	6 - 32	1/4	2
08	8 - 32	1/4	
3	10 - 32	5/16	3
4	1/4 - 28	3/8	
5	5/16 - 24	7/16	4
6	3/8 - 24	1/2	



Part # GAH-2139
4 way Screwdriver
Small & Handy

MATERIAL:

NAS1801 -- ALLOY STEEL, 160-180 KSI TENSILE STRENGTH
 NAS1802 -- CRES-A286, PRECIPITATION HARDENED TO 160-190 KSI

FINISH: CADMIUM PLATE PER QQ-P-416, TYPE II, CLOSE 2, ALL NAS1801, NAS1802 WITH (P) CODE AT END.
 PASSIVATE PER QQ-P-35, NAS1802 WITH NO (P) CODE AT END.

CODE: FIRST DASH NUMBER INDICATES DIAMETER; SECOND DASH NUMBER INDICATES LENGTH IN 1/16 INCH INCREMENTS.
 NO LETTER AFTER FIRST DASH NUMBER INDICATES UNDRILLED HEAD.
 LETTER "D" AFTER FIRST DASH NUMBER INDICATES DRILLED HEAD (-3 THRU -6 SIZES ONLY).
 LETTER "P" FOLLOWING SECOND DASH NUMBER INDICATES CADMIUM PLATE (NAS1802 ONLY).

EXAMPLE OF PART NUMBERS:

NAS1801-4-16 = 1/4 - 28, SCREW, ONE INCH LONG, ALLOY STEEL
 NAS1801-04-12 = 4 - 40, SCREW, .750 INCH LONG, ALLOY STEEL
 NAS1802-4-16 = 1/4 - 28 UNJF-3A SCREW, 1.000 LONG, PASSIVATED, STEEL
 NAS1802-4D16P = 1/4 - 28 UNJF-3A SCREW, DRILLED HEAD, 1.000 LONG, CADMIUM PLATED, A286 MATERIAL