

Features

- Master and Slave Operation Possible
- Supply Voltage up to 40V
- Operating voltage $V_S = 5V$ to 27V
- Typically 10 μA Supply Current During Sleep Mode
- Typically 57 μA Supply Current in Silent Mode
- Linear Low-drop Voltage Regulator:
 - Normal, Fail-safe, and Silent Mode
 - ATA6622 $V_{CC} = 3.3V \pm 2\%$
 - ATA6624 $V_{CC} = 5.0V \pm 2\%$
 - ATA6626 $V_{CC} = 5.0V \pm 2\%$, TXD Time-out Timer Disabled
 - In Sleep Mode V_{CC} is Switched Off
- VCC- Undervoltage Detection (4 ms Reset Time) and Watchdog Reset Logical Combined at Open Drain Output NRES
- Negative Trigger Input for Watchdog
- Boosting the Voltage Regulator Possible with an External NPN Transistor
- LIN Physical Layer According to LIN 2.0 Specification and SAEJ2602-2
- Wake-up Capability via LIN-bus, Wake Pin, or KI_15 Pin
- INH Output to Control an External Voltage Regulator or to Switch off the Master Pull Up Resistor
- TXD Time-out Timer; ATA6626 TXD Time-out Timer Is Disabled
- Bus Pin is Overtemperature and Short Circuit Protected versus GND and Battery
- Adjustable Watchdog Time via External Resistor
- Advanced EMC and ESD Performance
- ESD HBM 8 kV at Pins LIN and VS According to STM5.1
- Package: QFN 5 mm \times 5 mm with 20 Pins

1. Description

The ATA6622 is a fully integrated LIN transceiver, which complies with the LIN 2.0 and SAEJ2602-2 specifications. It has a low-drop voltage regulator for 3.3V/50 mA output and a window watchdog. The ATA6624 has the same functionality as the ATA6622; however, it uses a 5V/50 mA regulator. The ATA6626 has the same functionality as ATA6624 without a TXD time-out timer. The voltage regulator is able to source 50 mA up to $V_S = 18V$. The output current of the regulator can be boosted by using an external NPN transistor. This chip combination makes it possible to develop inexpensive, simple, yet powerful slave and master nodes for LIN-bus systems. ATA6622/ATA6624/ATA6626 are designed to handle the low-speed data communication in vehicles, e.g., in convenience electronics. Improved slope control at the LIN-driver ensures secure data communication up to 20 kBaud. Sleep Mode and Silent Mode guarantee very low current consumption. The ATA6626 is able to switch the LIN unlimited to dominant level via TXD for low data rates.



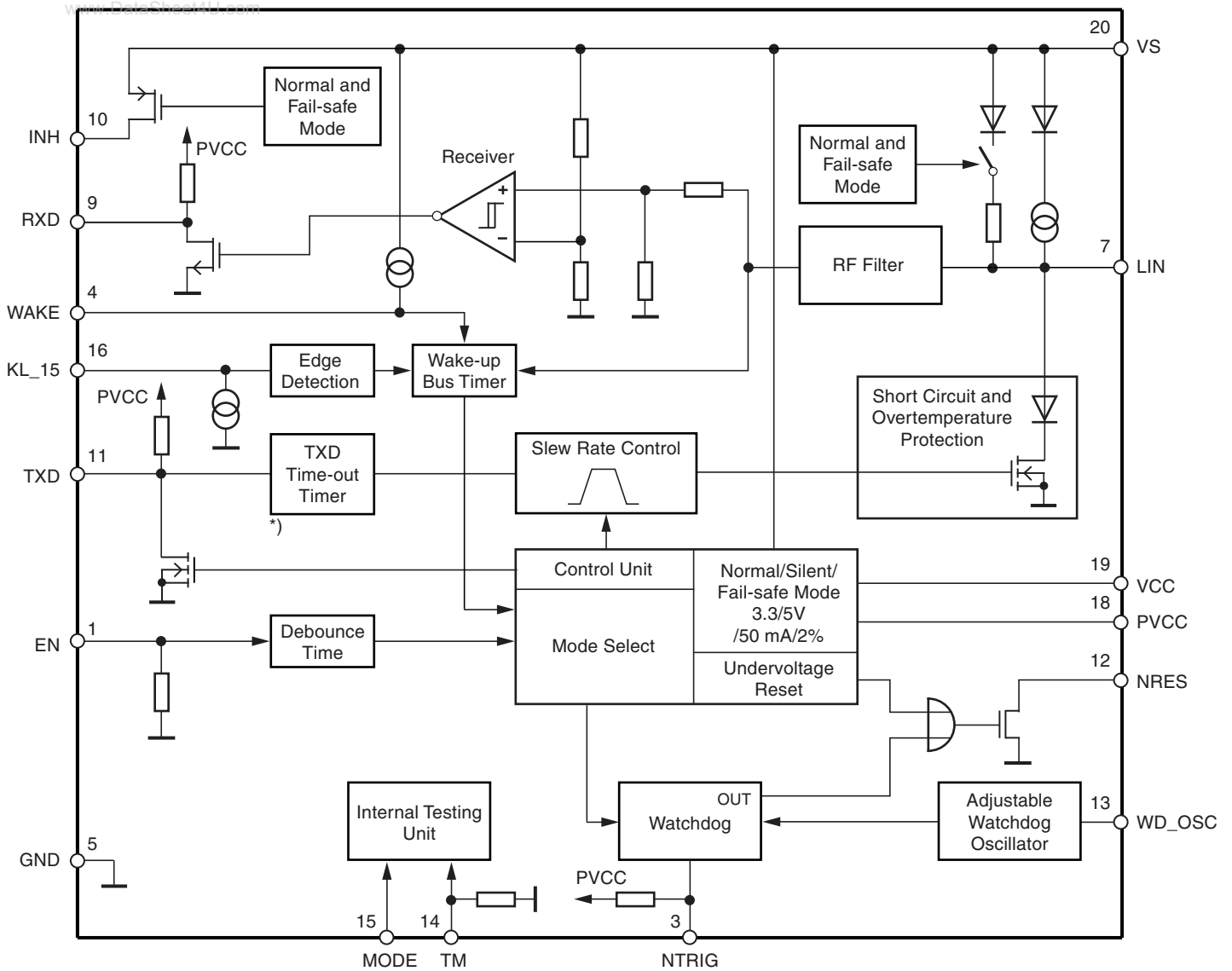
LIN Bus Transceiver with 3.3V (5V) Regulator and Watchdog

ATA6622
ATA6624
ATA6626

4986F-AUTO-07/08



Figure 1-1. Block Diagram



*) Not in ATA6626

2. Pin Configuration

www.DataSheet4U.com

Figure 2-1. Pinning QFN20

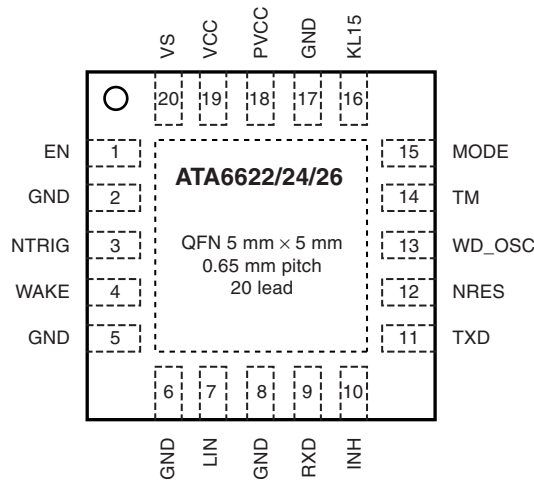


Table 2-1. Pin Description

Pin	Symbol	Function
1	EN	Enables the device in Normal Mode
2	GND	System ground (optional)
3	NTRIG	Low-level watchdog trigger input from microcontroller
4	WAKE	High-voltage input for local wake-up request; if not needed, connect to VS
5	GND	System ground (mandatory)
6	GND	System ground (optional)
7	LIN	LIN-bus line input/output
8	GND	System ground (optional)
9	RXD	Receive data output
10	INH	Battery related output for controlling an external voltage regulator
11	TXD	Transmit data input; active low output (strong pull down) after a local wake-up request
12	NRES	Output undervoltage and watchdog reset (open drain)
13	WD_OSC	External resistor for adjustable watchdog timing
14	TM	For factory testing only (tie to ground)
15	MODE	For debug mode: low, watchdog is on; high, watchdog is off
16	KL_15	Ignition detection (edge sensitive)
17	GND	System ground (optional)
18	PVCC	3.3V/5V regulator sense input pin
19	VCC	3.3V/5V regulator output/driver pin
20	VS	Battery supply
Backside		Heat slug is connected to all GND pins

3. Functional Description

www.DataSheet4U.com

3.1 Physical Layer Compatibility

Since the LIN physical layer is independent from higher LIN layers (e.g., the LIN protocol layer), all nodes with a LIN physical layer according to revision 2.0 can be mixed with LIN physical layer nodes, which, according to older versions (i.e., LIN 1.0, LIN 1.1, LIN 1.2, LIN 1.3), are without any restrictions.

3.2 Supply Pin (VS)

The LIN operating voltage is $V_S = 5V$ to $27V$. An undervoltage detection is implemented to disable data transmission if V_S falls below $V_{S_{th}} < 4V$ in order to avoid false bus messages. After switching on VS, the IC starts in Fail-safe Mode, and the voltage regulator is switched on (i.e., 3.3V/5V/50 mA output capability).

The supply current is typically 10 μA in Sleep Mode and 57 μA in Silent Mode.

3.3 Ground Pin (GND)

The IC is neutral on the LIN pin in the event of GND disconnection. It is able to handle a ground shift up to 11.5% of VS. The mandatory system ground is pin 5.

3.4 Voltage Regulator Output Pin (VCC)

The internal 3.3V/5V voltage regulator is capable of driving loads with up to 50 mA. It is able to supply the microcontroller and other ICs on the PCB and is protected against overloads by means of current limitation and overtemperature shut-down. Furthermore, the output voltage is monitored and will cause a reset signal at the NRES output pin if it drops below a defined threshold V_{thun} . To boost up the maximum load current, an external NPN transistor may be used, with its base connected to the VCC pin and its emitter connected to PVCC.

3.5 Voltage Regulator Sense Pin (PVCC)

The PVCC is the sense input pin of the 3.3V/5V voltage regulator. For normal applications (i.e., when only using the internal output transistor), this pin is connected to the VCC pin. If an external boosting transistor is used, the PVCC pin must be connected to the output of this transistor, i.e., its emitter terminal.

3.6 Bus Pin (LIN)

A low-side driver with internal current limitation and thermal shutdown and an internal pull-up resistor compliant with the LIN 2.0 specification are implemented. The allowed voltage range is between $-27V$ and $+40V$. Reverse currents from the LIN bus to VS are suppressed, even in the event of GND shifts or battery disconnection. LIN receiver thresholds are compatible with the LIN protocol specification. The fall time from recessive to dominant bus state and the rise time from dominant to recessive bus state are slope controlled.

3.7 Input/Output Pin (TXD)

www.DataSheet4U.com In Normal Mode the TXD pin is the microcontroller interface used to control the state of the LIN output. TXD must be pulled to ground in order to have a low LIN-bus. If TXD is high or unconnected (internal pull-up resistor), the LIN output transistor is turned off, and the bus is in recessive state. During Fail-safe Mode, this pin is used as output. It is current-limited to < 8 mA, and is latched to low if the last wake-up event was from pin WAKE or KL_15.

3.8 TXD Dominant Time-out Function

The TXD input has an internal pull-up resistor. An internal timer prevents the bus line from being driven permanently in dominant state. If TXD is forced to low for longer than $t_{DOM} > 6$ ms, the LIN-bus driver is switched to recessive state. Nevertheless, when switching to Sleep Mode, the actual level at the TXD pin is relevant.

To reactivate the LIN bus driver, switch TXD to high (> 10 μ s).

The time-out function is disabled in the ATA6626. Switching to dominant level on the LIN bus occurs without any time limitations.

3.9 Output Pin (RXD)

The Output pin reports the state of the LIN-bus to the microcontroller. LIN high (recessive state) is reported by a high level at RXD; LIN low (dominant state) is reported by a low level at RXD. The output has an internal pull-up structure with typically 5 k Ω to VCC. The AC characteristics can be defined with an external load capacitor of 20 pF.

The output is short-circuit protected. RXD is switched off in Unpowered Mode (i.e., $V_S = 0V$).

3.10 Enable Input Pin (EN)

The Enable Input pin controls the operation mode of the interface. If EN is high, the interface is in Normal Mode, with transmission paths from TXD to LIN and from LIN to RXD both active. The VCC voltage regulator operates with 3.3V/5V/50 mA output capability.

If EN is switched to low while TXD is still high, the device is forced to Silent Mode. No data transmission is then possible, and the current consumption is reduced to I_{VS} typ. 57 μ A. The VCC regulator has its full functionality.

If EN is switched to low while TXD is low, the device is forced to Sleep Mode. No data transmission is possible, and the voltage regulator is switched off.

3.11 Wake Input Pin (WAKE)

The Wake Input pin is a high-voltage input used to wake up the device from Sleep Mode or Silent Mode. It is usually connected to an external switch in the application to generate a local wake-up. A pull-up current source, typically 10 μ A, is implemented.

If a local wake-up is not needed for the application, connect the Wake pin directly to the VS pin.

3.12 Mode Input Pin (MODE)

Connect the MODE pin directly or via an external resistor to GND for normal watchdog operation. To debug the software of the connected microcontroller, connect MODE pin to 3.3V/5V and the watchdog is switched off.

3.13 TM Input Pin

www.DataSheet4U.com The TM pin is used for final production measurements at Atmel®. In normal application, it has to be always connected to GND.

3.14 KL_15 Pin

The KL_15 pin is a high-voltage input used to wake up the device from Sleep or Silent Mode. It is an edge sensitive pin (low-to-high transition). It is usually connected to ignition to generate a local wake-up in the application when the ignition is switched on. Although KL_15 pin is high voltage (V_{Batt}), it is possible to switch the IC into Sleep or Silent Mode. Connect the KL_15 pin directly to GND if you do not need it. A debounce timer with a typical $T_{db_{KL_15}}$ of 160 μs is implemented.

The input voltage threshold can be adjusted by varying the external resistor due to the input current I_{KL_15} . To protect this pin against voltage transients, a serial resistor of 50 k Ω and a ceramic capacitor of 100 nF are recommended. With this RC combination you can increase the wake-up time $T_{w_{KL_15}}$ and, therefore, the sensitivity against transients on the ignition KI.30.

You can also increase the wake-up time using external capacitors with higher values.

3.15 INH Output Pin

The INH Output pin is used to switch an external voltage regulator on during Normal or Fail-safe Mode. The INH pin is switched off in Sleep or Silent Mode. It is possible to switch off the external 1 k Ω master resistor via the INH pin for master node applications. The INH pin is switched off during VCC undervoltage reset.

3.16 Reset Output Pin (NRES)

The Reset Output pin, an open drain output, switches to low during V_{CC} undervoltage or a watchdog failure.

3.17 WD_OSC Output Pin

The WD_OSC Output pin provides a typical voltage of 1.2V, which supplies an external resistor with values between 34 k Ω and 120 k Ω to adjust the watchdog oscillator time.

3.18 NTRIG Input Pin

The NTRIG Input pin is the trigger input for the window watchdog. A pull-up resistor is implemented. A negative edge triggers the watchdog. The trigger signal (low) must exceed a minimum time $t_{trigmin}$ to generate a watchdog trigger.

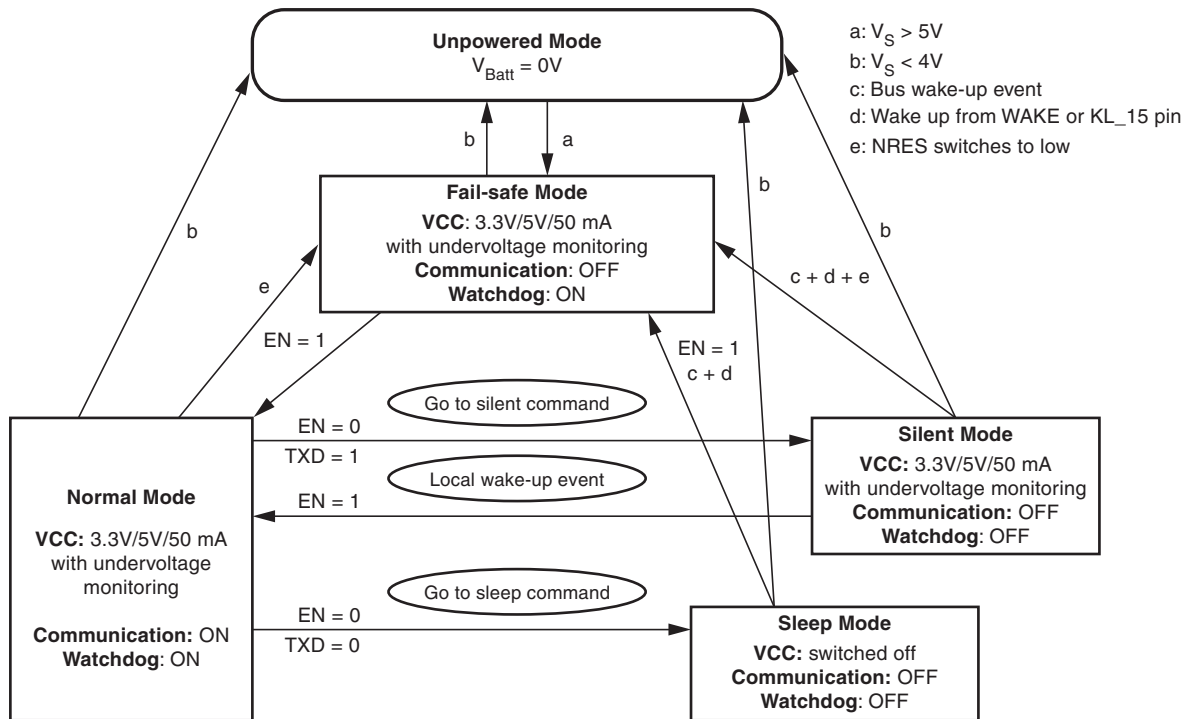
3.19 Wake-up Events from Sleep or Silent Mode

- LIN-bus
- WAKE pin
- EN pin
- KL_15

4. Modes of Operation

www.DataSheet4U.com

Figure 4-1. Modes of Operation



4.1 Normal Mode

This is the normal transmitting and receiving mode. The voltage regulator is in Normal Mode and can source 50 mA. The undervoltage detection is activated. The watchdog needs a trigger signal from NTRIG to avoid resets at NRES. If NRES is switched to low, the IC changes state to Fail-safe Mode.

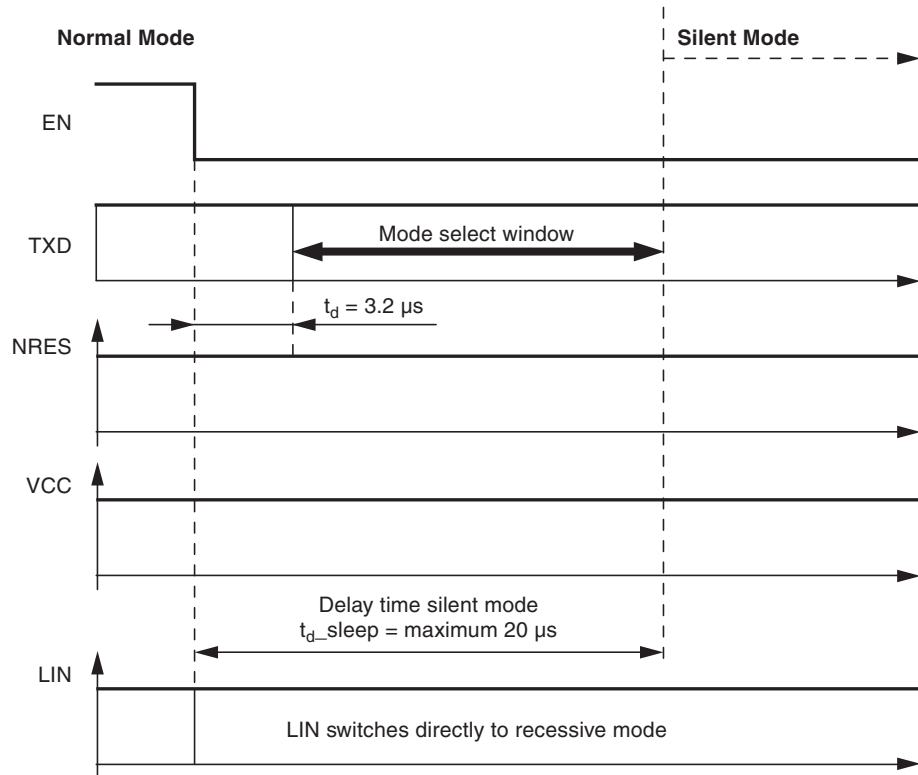
4.2 Silent Mode

A falling edge at EN when TXD is high switches the IC into Silent Mode. The TXD Signal has to be logic high during the Mode Select window (see Figure 4-2 on page 8). The transmission path is disabled in Silent Mode. The overall supply current from V_{Batt} is a combination of the $I_{V_{Ssi}}$ 57 μA plus the VCC regulator output current I_{VCC} .

The 3.3V/5V regulator with a 2% tolerance can source up to 50 mA. The internal slave termination between the LIN pin and the VS pin is disabled in Silent Mode to minimize the power dissipation in the event that the LIN pin is short-circuited to GND. Only a weak pull-up current (typically 10 μA) between the LIN pin and the VS pin is present. Silent Mode can be activated independently from the actual level on the LIN, WAKE, or KL_15 pins. If an undervoltage condition occurs, the NRES is switched to low, and the IC changes its state to Fail-safe Mode.

A voltage less than the LIN Pre_Wake detection VLINL at the LIN pin activates the internal LIN receiver.

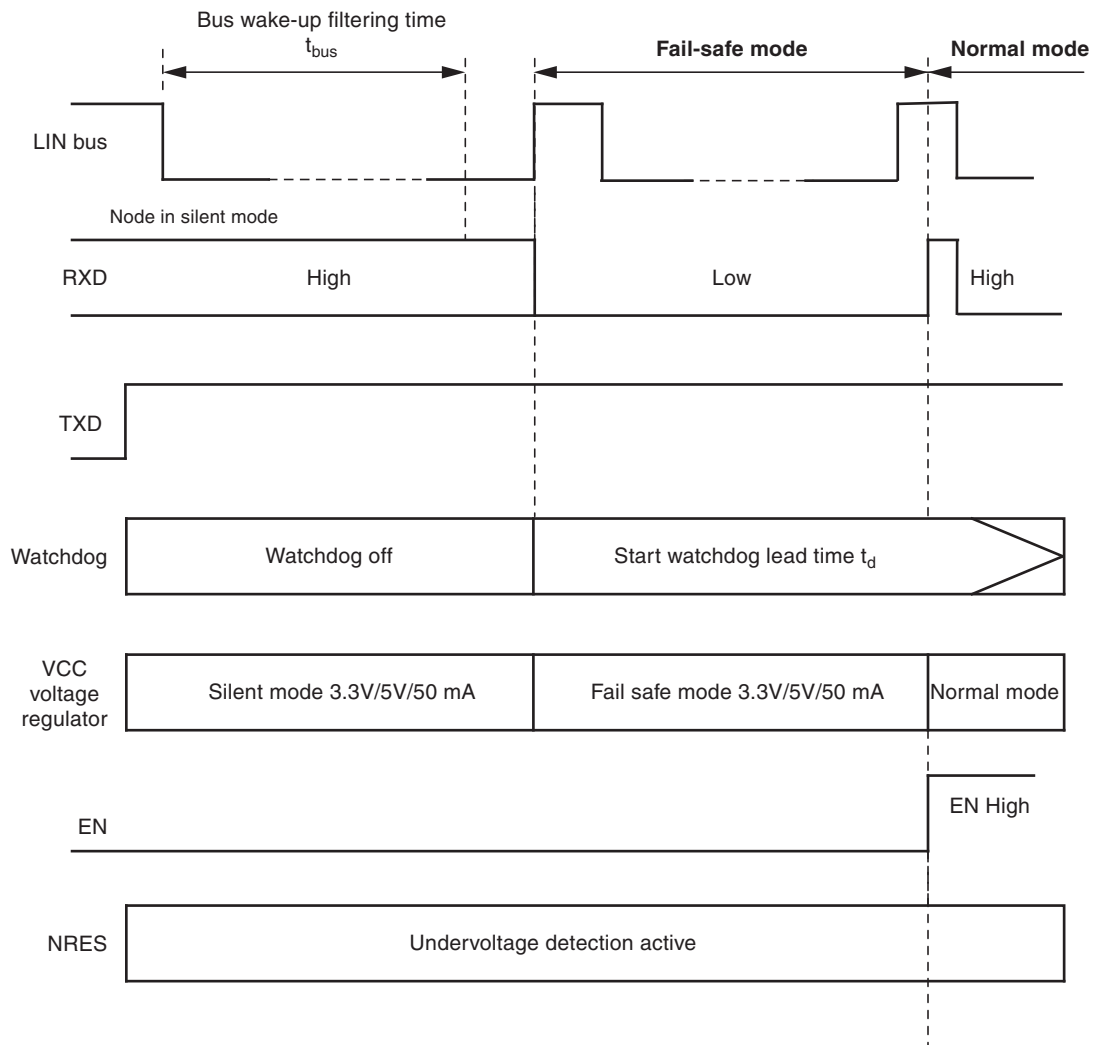
Figure 4-2. Switch to Silent Mode



A falling edge at the LIN pin followed by a dominant bus level maintained for a certain time period (t_{bus}) and the following rising edge at the LIN pin (see [Figure 4-3 on page 9](#)) result in a remote wake-up request. The device switches from Silent Mode to Fail-safe Mode. The internal LIN slave termination resistor is switched on. The remote wake-up request is indicated by a low level at the RXD pin to interrupt the microcontroller (see [Figure 4-3 on page 9](#)). EN high can be used to switch directly to Normal Mode.

Figure 4-3. LIN Wake Up from Silent Mode

www.DataSheet4U.com



4.3 Sleep Mode

A falling edge at EN when TXD is low switches the IC into Sleep Mode. The TXD Signal has to be logic low during the Mode Select window (Figure 4-4 on page 10). The transmission path is disabled in Sleep Mode. The supply current $I_{V_{SS}sleep}$ from V_{Batt} is typically 10 μA .

The VCC regulator is switched off. NRES and RXD are low. The internal slave termination between the LIN pin and VS pin is disabled to minimize the power dissipation in the event that the LIN pin is short-circuited to GND. Only a weak pull-up current (typically 10 μA) between the LIN pin and the VS pin is present. Sleep Mode can be activated independently from the current level on the LIN, WAKE, or KL_15 pin.

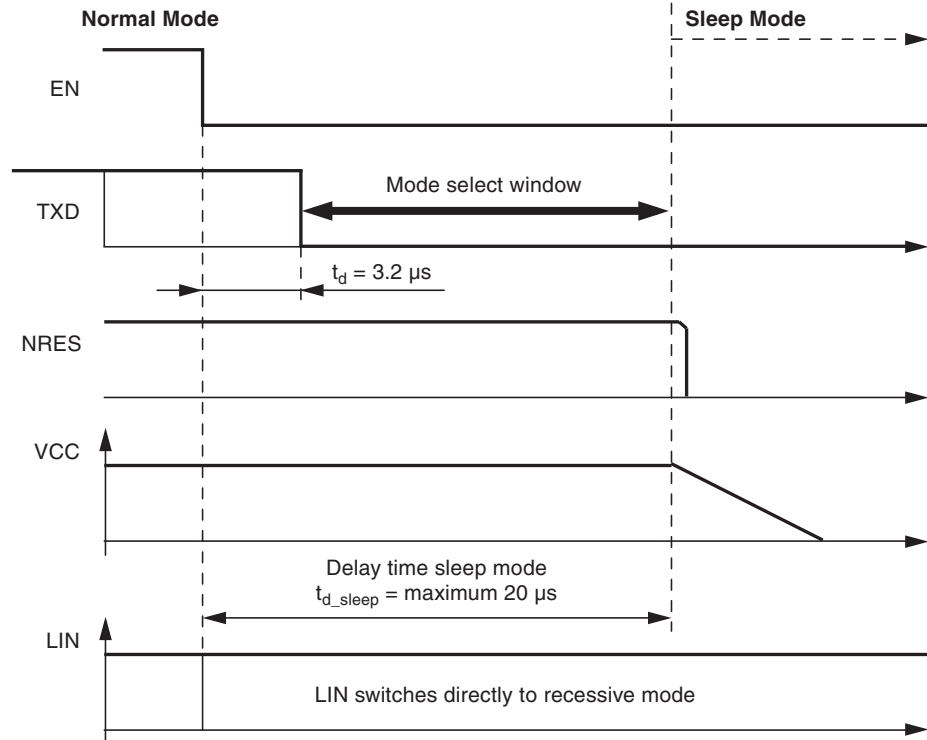
A voltage less than the LIN Pre_Wake detection V_{LINL} at the LIN pin activates the internal LIN receiver.

A falling edge at the LIN pin followed by a dominant bus level maintained for a certain time period (t_{bus}) and a rising edge at pin LIN respectively result in a remote wake-up request. The device switches from Sleep Mode to Fail-safe Mode.

The VCC regulator is activated, and the internal LIN slave termination resistor is switched on. The remote wake-up request is indicated by a low level at the RXD pin to interrupt the microcontroller (see [Figure 4-5 on page 11](#)).

EN high can be used to switch directly from Sleep/Silent to Fail-safe Mode. If EN is still high after VCC ramp up and undervoltage reset time, the IC switches to the Normal Mode.

Figure 4-4. Switch to Sleep Mode



4.4 Fail-safe Mode

The device automatically switches to Fail-safe Mode at system power-up. The voltage regulator is switched on ($V_{CC} = 3.3V/5V/2\%/50\text{ mA}$) (see [Figure 5-1 on page 14](#)). The NRES output switches to low for $t_{res} = 4\text{ ms}$ and gives a reset to the microcontroller. LIN communication is switched off. The IC stays in this mode until EN is switched to high. The IC then changes to Normal Mode. A power down of V_{Batt} ($V_S < 4V$) during Silent or Sleep Mode switches the IC into Fail-safe Mode after power up. A low at NRES switches into Fail-safe Mode directly. During Fail-safe Mode the TXD pin is an output and signals the last wake-up source.

4.5 Unpowered Mode

If you connect battery voltage to the application circuit, the voltage at the VS pin increases according to the block capacitor (see [Figure 5-1 on page 14](#)). After VS is higher than the VS undervoltage threshold $V_{S_{th}}$, the IC mode changes from Unpowered Mode to Fail-safe Mode. The VCC output voltage reaches its nominal value after t_{VCC} . This time, t_{VCC} , depends on the VCC capacitor and the load.

The NRES is low for the reset time delay t_{reset} . During this time, t_{reset} , no mode change is possible.

Figure 4-5. LIN Wake Up from Sleep Mode

www.DataSheet4U.com

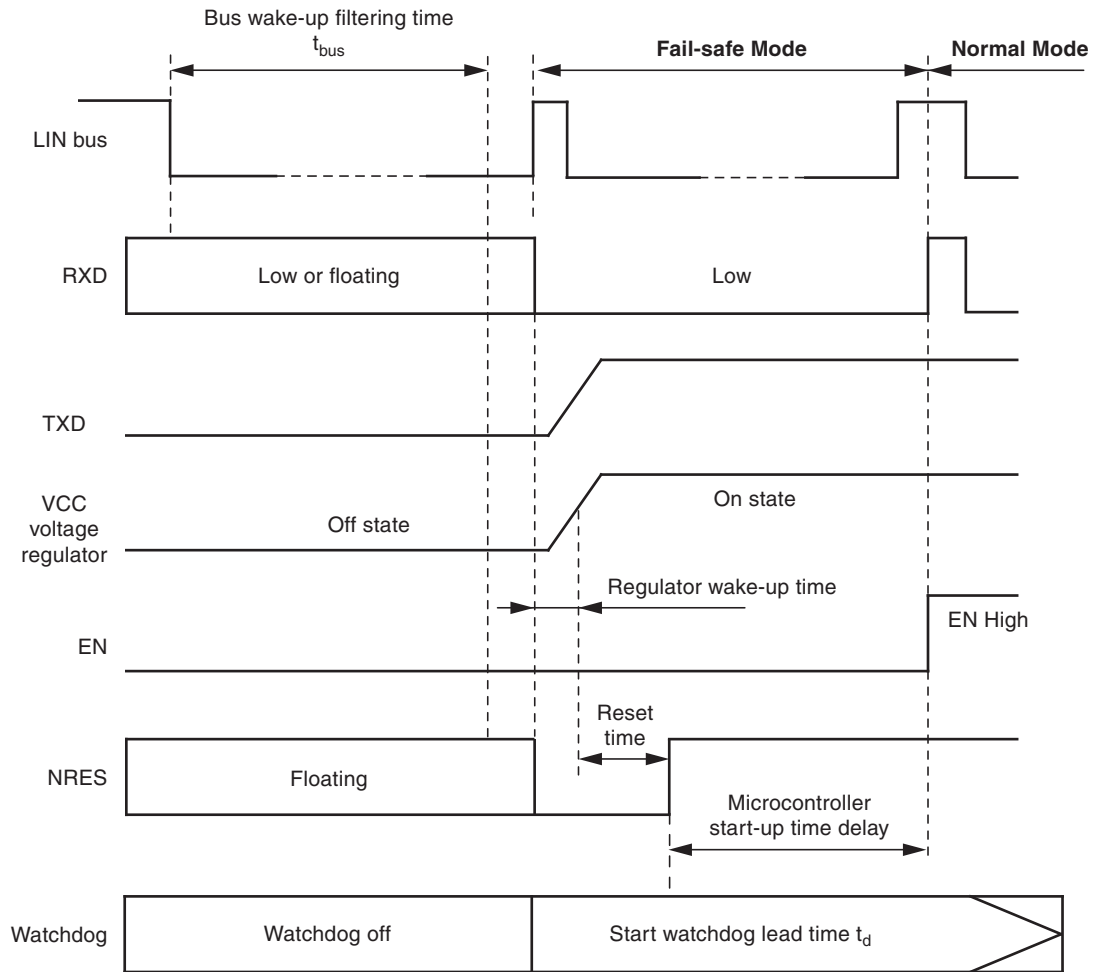


Table 4-1. Table of Modes

Mode of Operation	Transceiver	VCC	Watchdog	WD_OSC	INH	RXD	LIN
Fail-safe	Off	3.3V/5V	On	1.23V	On	High	Recessive
Normal	On	3.3V/5V	On	1.23V	On	High	TXD depending
Silent	Off	3.3V/5V	Off	0V	Off	High	Recessive
Sleep	Off	0V	Off	0V	Off	0V	Recessive

5. Wake-up Scenarios from Silent or Sleep Mode

www.DataSheet4U.com

5.1 Remote Wake-up via Dominant Bus State

A voltage less than the LIN Pre_Wake detection V_{LINL} at the LIN pin activates the internal LIN receiver.

A falling edge at the LIN pin followed by a dominant bus level V_{BUSdom} maintained for a certain time period (t_{BUS}) and a rising edge at pin LIN result in a remote wake-up request. The device switches from Silent or Sleep Mode to Fail-safe Mode. The VCC voltage regulator is/remains activated, the INH pin is switched to high, and the internal slave termination resistor is switched on. The remote wake-up request is indicated by a low level at the RXD pin to generate an interrupt for the microcontroller. A low level at the LIN pin in the Normal Mode starts the bus wake-up filtering time, and if the IC is switched to Silent or Sleep Mode, it will receive a wake-up after a positive edge at the LIN pin.

5.2 Local Wake-up via Pin WAKE

A falling edge at the WAKE pin followed by a low level maintained for a certain time period (t_{WAKE}) results in a local wake-up request. The device switches to Fail-safe Mode. The internal slave termination resistor is switched on. The local wake-up request is indicated by a low level at the RXD pin to generate an interrupt in the microcontroller and a strong pull down at TXD. When the Wake pin is low, it is possible to switch to Silent or Sleep Mode via pin EN. In this case, the wake-up signal has to be switched to high $> 10 \mu s$ before the negative edge at WAKE starts a new local wake-up request.

5.3 Local Wake-up via Pin KL_15

A positive edge at pin KL_15 followed by a high voltage level for a certain time period ($> t_{KL_15}$) results in a local wake-up request. The device switches into the Fail-safe Mode. The internal slave termination resistor is switched on. The extra long wake-up time ensures that no transients at KL_15 create a wake up. The local wake-up request is indicated by a low level at the RXD pin to generate an interrupt for the microcontroller and a strong pull down at TXD. During high-level voltage at pin KL_15, it is possible to switch to Silent or Sleep Mode via pin EN. In this case, the wake-up signal has to be switched to low $> 250 \mu s$ before the positive edge at KL_15 starts a new local wake-up request. With external RC combination, the time is even longer.

5.4 Wake-up Source Recognition

The device can distinguish between a local wake-up request (Wake or KL_15 pins) and a remote wake-up request (dominant LIN bus state). The wake-up source can be read on the TXD pin in Fail-safe Mode. A high level indicates a remote wake-up request (weak pull up at the TXD pin); a low level indicates a local wake-up request (strong pull down at the TXD pin). The wake-up request flag (signalled on the RXD pin), as well as the wake-up source flag (signalled on the TXD pin), is immediately reset if the microcontroller sets the EN pin to high (see [Figure 4-2 on page 8](#) and [Figure 4-3 on page 9](#)) and the IC is in Normal Mode. The last wake-up source flag is stored and signalled in Fail-safe Mode at the TXD pin.

5.5 Fail-safe Features

www.DataSheet4U.com

- During a short-circuit at LIN to V_{Battery} , the output limits the output current to $I_{\text{BUS_LIM}}$. Due to the power dissipation, the chip temperature exceeds T_{LINoff} , and the LIN output is switched off. The chip cools down and after a hysteresis of T_{hys} , switches the output on again. RXD stays on high because LIN is high. During LIN overtemperature switch-off, the VCC regulator works independently.
- During a short-circuit from LIN to GND the IC can be switched into Sleep or Silent Mode. If the short-circuit disappears, the IC starts with a remote wake-up.
- The reverse current is very low $< 15 \mu\text{A}$ at the LIN pin during loss of V_{Batt} or GND. This is optimal behavior for bus systems where some slave nodes are supplied from battery or ignition.
- During a short circuit at VCC, the output limits the output current to I_{VCCn} . Because of undervoltage, NRES switches to low and sends a reset to the microcontroller. The IC switches into Fail-safe Mode. If the chip temperature exceeds the value T_{VCCoff} , the VCC output switches off. The chip cools down and after a hysteresis of T_{hys} , switches the output on again. Because of the Fail-safe Mode, the VCC voltage will switch on again although EN is switched off from the microcontroller. The microcontroller can start with its normal operation.
- EN pin provides a pull-down resistor to force the transceiver into recessive mode if EN is disconnected.
- RXD pin is set floating if V_{Batt} is disconnected.
- TXD pin provides a pull-up resistor to force the transceiver into recessive mode if TXD is disconnected.
- If TXD is short-circuited to GND, it is possible to switch to Sleep Mode via ENABLE after $t_{\text{dom}} > 20 \text{ ms}$ (only for ATA6622/ATA6624).
- If the WD_OSC pin has a short-circuit to GND or the resistor is disconnected, the watchdog runs with an internal oscillator and guarantees a reset after the second NTRIG signal at the latest.

5.6 Voltage Regulator

The voltage regulator needs an external capacitor for compensation and for smoothing the disturbances from the microcontroller. It is recommended to use an electrolytic capacitor with $C > 10 \mu\text{F}$ and a ceramic capacitor with $C = 100 \text{ nF}$. The values of these capacitors can be varied by the customer, depending on the application.

The main power dissipation of the IC is created from the VCC output current I_{VCC} , which is needed for the application. In [Figure 5-2 on page 14](#) the safe operating area of the ATA6622/ATA6624/ATA6626 is shown.

Figure 5-1. VCC Voltage Regulator: Ramp-up and Undervoltage Detection

www.DataSheet4U.com

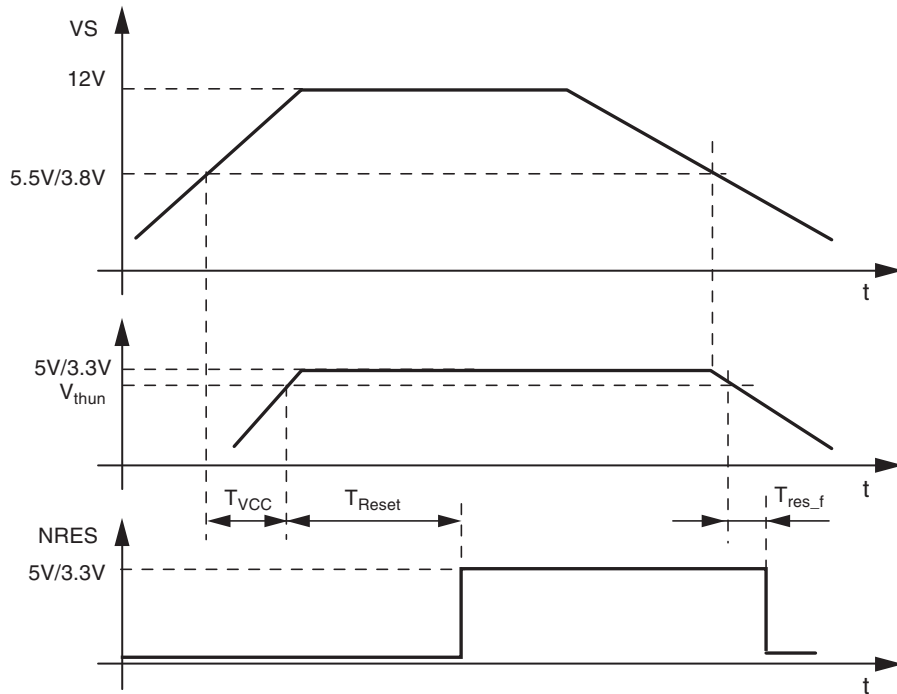
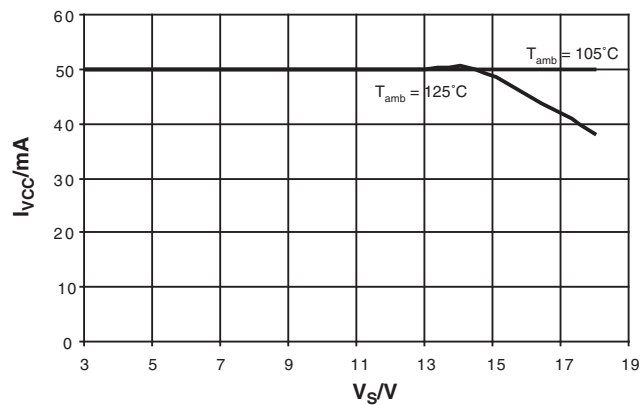


Figure 5-2. Power Dissipation: Safe Operating Area versus VCC Output Current and Supply Voltage V_S at Different Ambient Temperatures Due to $R_{thja} = 35 \text{ K/W}$



For programming purposes of the microcontroller it is potentially necessary to supply the V_{CC} output via an external power supply while the V_S Pin of the system basis chip is disconnected. This behavior is no problem for the system basis chip.

6. Watchdog

www.DataSheet4U.com

The watchdog anticipates a trigger signal from the microcontroller at the NTRIG (negative edge) input within a time window of T_{wd} . The trigger signal must exceed a minimum time $t_{trigmin} > 200$ ns. If a triggering signal is not received, a reset signal will be generated at output NRES. The timing basis of the watchdog is provided by the internal oscillator. Its time period, T_{osc} , is adjustable via the external resistor R_{wd_osc} (34 k Ω to 120 k Ω).

During Silent or Sleep Mode the watchdog is switched off to reduce current consumption.

The minimum time for the first watchdog pulse is required after the undervoltage reset at NRES disappears. It is defined as lead time t_d . After wake up from Sleep or Silent Mode, the lead time t_d starts with the negative edge of the RXD output.

6.1 Typical Timing Sequence with $R_{WD_OSC} = 51$ k Ω

The trigger signal T_{wd} is adjustable between 20 ms and 64 ms using the external resistor R_{WD_OSC} .

For example, with an external resistor of $R_{WD_OSC} = 51$ k $\Omega \pm 1\%$, the typical parameters of the watchdog are as follows:

$$t_{osc} = 0.405 \times R_{WD_OSC} - 0.0004 \times (R_{WD_OSC})^2 \quad (R_{WD_OSC} \text{ in k}\Omega; t_{osc} \text{ in } \mu\text{s})$$

$$t_{OSC} = 19.6 \mu\text{s due to } 51 \text{ k}\Omega$$

$$t_d = 7895 \times 19.6 \mu\text{s} = 155 \text{ ms}$$

$$t_1 = 1053 \times 19.6 \mu\text{s} = 20.6 \text{ ms}$$

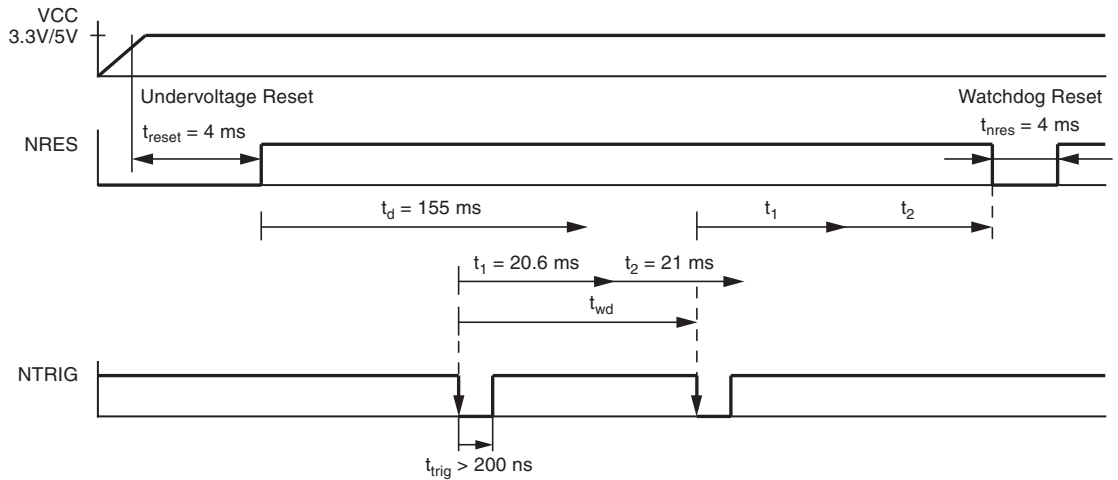
$$t_2 = 1105 \times 19.6 \mu\text{s} = 21.6 \text{ ms}$$

$$t_{nres} = \text{constant} = 4 \text{ ms}$$

After ramping up the battery voltage, the 3.3V/5V regulator is switched on. The reset output NRES stays low for the time t_{reset} (typically 4 ms), then it switches to high, and the watchdog waits for the trigger sequence from the microcontroller. The lead time, t_d , follows the reset and is $t_d = 155$ ms. In this time, the first watchdog pulse from the microcontroller is required. If the trigger pulse NTRIG occurs during this time, the time t_1 starts immediately. If no trigger signal occurs during the time t_d , a watchdog reset with $t_{NRES} = 4$ ms will reset the microcontroller after $t_d = 155$ ms. The times t_1 and t_2 have a fixed relationship between each other. A triggering signal from the microcontroller is anticipated within the time frame of $t_2 = 21.6$ ms. To avoid false triggering from glitches, the trigger pulse must be longer than $t_{TRIG,min} > 200$ ns. This slope serves to restart the watchdog sequence. If the triggering signal fails in this open window t_2 , the NRES output will be drawn to ground. A triggering signal during the closed window t_1 immediately switches NRES to low.

Figure 6-1. Timing Sequence with $R_{WD_OSC} = 51\text{ k}\Omega$

www.DataSheet4U.com



6.2 Worst Case Calculation with $R_{WD_OSC} = 51\text{ k}\Omega$

The internal oscillator has a tolerance of 20%. This means that t_1 and t_2 can also vary by 20%. The worst case calculation for the watchdog period t_{wd} is calculated as follows.

The ideal watchdog time t_{wd} is between the maximum t_1 and the minimum t_1 plus the minimum t_2 .

$$t_{1,\min} = 0.8 \times t_1 = 16.5\text{ ms}, t_{1,\max} = 1.2 \times t_1 = 24.8\text{ ms}$$

$$t_{2,\min} = 0.8 \times t_2 = 17.3\text{ ms}, t_{2,\max} = 1.2 \times t_2 = 26\text{ ms}$$

$$t_{wd\max} = t_{1\min} + t_{2\min} = 16.5\text{ ms} + 17.3\text{ ms} = 33.8\text{ ms}$$

$$t_{wd\min} = t_{1\max} = 24.8\text{ ms}$$

$$t_{wd} = 29.3\text{ ms} \pm 4.5\text{ ms} (\pm 15\%)$$

A microcontroller with an oscillator tolerance of $\pm 15\%$ is sufficient to supply the trigger inputs correctly.

Table 6-1. Typical Watchdog Timings

R_{WD_OSC} k Ω	Oscillator Period $t_{osc}/\mu\text{s}$	Lead Time t_d/ms	Closed Window t_1/ms	Open Window t_2/ms	Trigger Period from Microcontroller t_{wd}/ms	Reset Time t_{nres}/ms
34	13.3	105	14.0	14.7	19.9	4
51	19.61	154.8	20.64	21.67	29.32	4
91	33.54	264.80	35.32	37.06	50.14	4
120	42.84	338.22	45.11	47.34	64.05	4

7. Absolute Maximum Ratings

Stresses beyond those listed under “Absolute Maximum Ratings” may cause permanent damage to the device. This is a stress rating only and functional operation of the device at these or any other conditions beyond those indicated in the operational sections of this specification is not implied. Exposure to absolute maximum rating conditions for extended periods may affect device reliability.

Parameters	Symbol	Min.	Typ.	Max.	Unit
Supply voltage V_S	V_S	-0.3		+40	V
Pulse time ≤ 500 ms $T_a = 25^\circ\text{C}$ Output current $I_{VCC} \leq 50$ mA	V_S			+40	V
Pulse time ≤ 2 min $T_a = 25^\circ\text{C}$ Output current $I_{VCC} \leq 50$ mA	V_S			27	V
WAKE (with 33 k Ω serial resistor) KL_15 (with 50 k Ω /100 nF) DC voltage		-1		+40	V
Transient voltage due to ISO7637 (coupling 1 nF)		-150		+100	V
INH - DC voltage		-0.3		+40	V
LIN - DC voltage		-27		+40	V
Logic pins (Rx D , Tx D , EN, NRES, NTRIG, WD_OSC, MODE, TM)		-0.3		+5.5	V
Output current NRES	I_{NRES}			+2	mA
PVCC DC voltage		-0.3		+5.5	V
VCC DC voltage		-0.3		+6.5	V
According to IBEE LIN EMC Test Spec. 1.0 following IEC 61000-4-2 - Pin VS, LIN to GND		± 6			KV
- Pin WAKE (33 k Ω serial resistor) to GND		± 5			KV
HBM ESD ANSI/ESD-STM5.1 JESD22-A114 AEC-Q100 (002)		± 3			KV
CDM ESD STM 5.3.1		± 750			V
ESD HBM following STM5.1 with 1.5 k Ω 150 pF - Pin VS, LIN, WAKE to GND		± 8			KV
Junction temperature	T_j	-40		+150	$^\circ\text{C}$
Storage temperature	T_s	-55		+150	$^\circ\text{C}$
Thermal resistance junction to heat slug	R_{thjc}			10	K/W
Thermal resistance junction to ambient, where heat slug is soldered to PCB	R_{thja}		35		K/W
Thermal shutdown of VCC regulator		150	165	170	$^\circ\text{C}$
Thermal shutdown of LIN output		150	165	170	$^\circ\text{C}$
Thermal shutdown hysteresis			10		$^\circ\text{C}$

8. Electrical Characteristics

5V < V_S < 27V, -40°C < T_j < 150°C, unless otherwise specified. All values refer to GND pins

No.	Parameters	Test Conditions	Pin	Symbol	Min.	Typ.	Max.	Unit	Type*
1	VS Pin								
1.1	Nominal DC voltage range		VS	V _S	5		27	V	A
1.2	Supply current in Sleep Mode	Sleep Mode V _{LIN} > V _S - 0.5V V _S < 14V (T _j = 25°C)	VS	I _{VSsleep}	3	10	14	μA	A
		Sleep Mode V _{LIN} > V _{St} - 0.5V V _S < 14V (T _j = 125°C)		I _{VSsleep}	5	11	16	μA	A
1.3	Supply current in Silent Mode	Bus recessive V _S < 14V (T _j = 25°C) Without load at VCC		I _{VSSi}	47	57	67	μA	A
		Bus recessive V _S < 14V (T _j = 125°C) Without load at VCC		I _{VSSi}	56	66	76	μA	A
1.4	Supply current in Normal Mode	Bus recessive V _S < 14V Without load at VCC	VS	I _{VSrec}	0.3		0.8	mA	A
1.5	Supply current in Normal Mode	Bus dominant V _S < 14V V _{CC} load current 50 mA	VS	I _{VSdom}	50		53	mA	A
1.6	Supply current in Fail-safe Mode	Bus recessive V _S < 14V Without load at VCC	VS	I _{VStail}	0.35		0.53	mA	A
1.7	V _S undervoltage threshold		VS	V _{Sth}	4.0	4.5	5	V	A
1.8	VS undervoltage threshold hysteresis		VS	V _{Sth_hys}		0.2		V	A
2	RXD Output Pin								
2.1	Low-level input current	Normal Mode V _{LIN} = 0V V _{RXD} = 0.4V	RXD	I _{RXD}	1.3	2.5	8	mA	A
2.2	Low-level output voltage	I _{RXD} = 1 mA	RXD	V _{RXDL}			0.4	V	A
2.3	Internal 5 kΩ resistor to V _{CC}		RXD	R _{RXD}	3	5	7	kΩ	A
3	TXD Input/Output Pin								
3.1	Low-level voltage input		TXD	V _{TXDL}	-0.3		+0.8	V	A
3.2	High-level voltage input		TXD	V _{TXDH}	2		V _{CC} + 0.3V	V	A
3.3	Pull-up resistor	V _{TXD} = 0V	TXD	R _{TXD}	125	250	400	kΩ	A
3.4	High-level leakage current	V _{TXD} = VCC	TXD	I _{TXD}	-3		+3	μA	A

*) Type means: A = 100% tested, B = 100% correlation tested, C = Characterized on samples, D = Design parameter

8. Electrical Characteristics (Continued)

5V < V_S < 27V, -40°C < T_j < 150°C, unless otherwise specified. All values refer to GND pins

No.	Parameters	Test Conditions	Pin	Symbol	Min.	Typ.	Max.	Unit	Type*
3.5	Low-level input current at local wake-up request	Fail-safe Mode V _{LIN} = V _S V _{WAKE} = 0V V _{TXD} = 0.4V	TXD	I _{TXDwake}	2	2.5	8	mA	A
4	EN Input Pin								
4.1	Low-level voltage input		EN	V _{ENL}	-0.3		+0.8	V	A
4.2	High-level voltage input		EN	V _{ENH}	2		V _{CC} + 0.3V	V	A
4.3	Pull-down resistor	V _{EN} = V _{CC}	EN	R _{EN}	50	125	200	kΩ	A
4.4	Low-level input current	V _{EN} = 0V	EN	I _{EN}	-3		+3	μA	A
5	NTRIG Watchdog Input Pin								
5.1	Low-level voltage input			V _{NTRIGL}	-0.3		+0.8	V	A
5.2	High-level voltage input			V _{NTRIGH}	2		V _{CC} + 0.3V	V	A
5.3	Pull-up resistor	V _{NTRIG} = 0V		R _{NTRIG}	125	250	400	kΩ	A
5.4	High-level leakage current	V _{NTRIG} = V _{CC}		I _{NTRIG}	-3		+3	μA	A
6	Mode Input Pin								
6.1	Low-level voltage input			V _{MODEL}	-0.3		+0.8	V	A
6.2	High-level voltage input			V _{MODEH}	2		V _{CC} + 0.3V	V	A
6.3	High-level leakage current	V _{MODE} = V _{CC} or V _{MODE} = 0V		I _{MODE}	-3		+3	μA	A
7	INH Output Pin								
7.1	High-level voltage	I _{INH} = -15 mA		V _{INHH}	V _S - 0.8		V _S	V	A
7.2	Switch-on resistance between VS and INH			R _{INH}		30	50	Ω	A
7.3	High-level leakage current	Sleep Mode V _{INH} = 27V, V _S = 27V		I _{INHL}	-3		+3	μA	A
8	LIN Bus Driver: Bus Load Conditions: Load 1 (Small): 1 nF, 1 kΩ; Load 2 (Large): 10 nF, 500Ω; Internal Pull-up R_{RXD} = 5 kΩ; C_{RXD} = 20 pF 10.5, 10.6 and 10.7 Specifies the Timing Parameters for Proper Operation at 20 Kbps								
8.1	Driver recessive output voltage	Load1/Load2	LIN	V _{BUSrec}	0.9 × V _S		V _S	V	A
8.2	Driver dominant voltage	V _{VS} = 7V R _{load} = 500 Ω	LIN	V _{LoSUP}			1.2	V	A
8.3	Driver dominant voltage	V _{VS} = 18V R _{load} = 500 Ω	LIN	V _{HiSUP}			2	V	A
8.4	Driver dominant voltage	V _{VS} = 7.0V R _{load} = 1000 Ω	LIN	V _{LoSUP_1k}	0.6			V	A
8.5	Driver dominant voltage	V _{VS} = 18V R _{load} = 1000 Ω	LIN	V _{HiSUP_1k}	0.8			V	A
8.6	Pull-up resistor to V _S	The serial diode is mandatory	LIN	R _{LIN}	20	30	60	kΩ	A

*) Type means: A = 100% tested, B = 100% correlation tested, C = Characterized on samples, D = Design parameter

8. Electrical Characteristics (Continued)

5V < V_S < 27V, -40°C < T_j < 150°C, unless otherwise specified. All values refer to GND pins

No.	Parameters	Test Conditions	Pin	Symbol	Min.	Typ.	Max.	Unit	Type*
8.7	LIN current limitation V _{BUS} = V _{Batt_max}		LIN	I _{BUS_LIM}	40	120	200	mA	A
8.8	Input leakage current at the receiver including pull-up resistor as specified	Input leakage current Driver off V _{BUS} = 0V V _{Batt} = 12V	LIN	I _{BUS_PAS_dom}	-1	-0.35		mA	A
8.9	Leakage current LIN recessive	Driver off 8V < V _{Batt} < 18V 8V < V _{BUS} < 18V V _{BUS} ≥ V _{Batt}	LIN	I _{BUS_PAS_rec}		15	20	μA	A
8.10	Leakage current when control unit disconnected from ground. Loss of local ground must not affect communication in the residual network.	GND _{Device} = V _S V _{Batt} = 12V 0V < V _{BUS} < 18V	LIN	I _{BUS_NO_gnd}	-10	+0.5	+10	μA	A
8.11	Node has to sustain the current that can flow under this condition. Bus must remain operational under this condition.	V _{Batt} disconnected V _{SUP_Device} = GND 0V < V _{BUS} < 18V	LIN	I _{BUS}		5	15	μA	A
9	LIN Bus Receiver								
9.1	Center of receiver threshold	V _{BUS_CNT} = (V _{th_dom} + V _{th_rec})/2	LIN	V _{BUS_CNT}	0.475 × V _S	0.5 × V _S	0.525 × V _S	V	A
9.2	Receiver dominant state	V _{EN} = 5V	LIN	V _{BUSdom}			0.4 × V _S	V	A
9.3	Receiver recessive state	V _{EN} = 5V	LIN	V _{BUSrec}	0.6 × V _S			V	A
9.4	Receiver input hysteresis	V _{hys} = V _{th_rec} - V _{th_dom}	LIN	V _{BUShys}	0.028 × V _S	0.1 × V _S	0.175 × V _S	V	A
9.5	Pre_Wake detection LIN High-level input voltage		LIN	V _{LINH}	V _S - 1V		V _S + 0.3V	V	A
9.6	Pre_Wake detection LIN Low-level input voltage	Activates the LIN receiver	LIN	V _{LINL}	-27		V _S - 3.3V	V	A
10	Internal Timers								
10.1	Dominant time for wake-up via LIN bus	V _{LIN} = 0V		t _{bus}	30	90	150	μs	A
10.2	Time delay for mode change from Fail-safe into Normal Mode via EN pin	V _{EN} = 5V		t _{norm}	5	15	20	μs	A
10.3	Time delay for mode change from Normal Mode to Sleep Mode via EN pin	V _{EN} = 0V		t _{sleep}	2	7	12	μs	A
10.4	TXD dominant time-out timer (ATA6626 disabled)	V _{TXD} = 0V		t _{dom}	6	13	20	ms	A

*) Type means: A = 100% tested, B = 100% correlation tested, C = Characterized on samples, D = Design parameter

8. Electrical Characteristics (Continued)

5V < V_S < 27V, -40°C < T_j < 150°C, unless otherwise specified. All values refer to GND pins

No.	Parameters	Test Conditions	Pin	Symbol	Min.	Typ.	Max.	Unit	Type*
10.5	Time delay for mode change from Silent Mode into Normal Mode via EN	V _{EN} = 5V		t _{s_n}	5	15	40	μs	A
10.6	Duty cycle 1	TH _{Rec(max)} = 0.744 × V _S TH _{Dom(max)} = 0.581 × V _S V _S = 7.0V to 18V t _{Bit} = 50 μs D1 = t _{bus_rec(min)} / (2 × t _{Bit})		D1	0.396				A
10.7	Duty cycle 2	TH _{Rec(min)} = 0.422 × V _S TH _{Dom(min)} = 0.284 × V _S V _S = 7.6V to 18V t _{Bit} = 50 μs D2 = t _{bus_rec(max)} / (2 × t _{Bit})		D2			0.581		A
10.8	Duty cycle 3	TH _{Rec(max)} = 0.778 × V _S TH _{Dom(max)} = 0.616 × V _S V _S = 7.0V to 18V t _{Bit} = 96 μs D3 = t _{bus_rec(min)} / (2 × t _{Bit})		D3	0.417				A
10.9	Duty cycle 4	TH _{Rec(min)} = 0.389 × V _S TH _{Dom(min)} = 0.251 × V _S V _S = 7.6V to 18V t _{Bit} = 96 μs D4 = t _{bus_rec(max)} / (2 × t _{Bit})		D4			0.590		A
10.10	Slope time falling and rising edge at LIN	V _S = 7.0V to 18V Slope time dominant and recessive edges		t _{SLOPE_fall} t _{SLOPE_rise}	3.5		22.5	μs	A
11	Receiver Electrical AC Parameters of the LIN Physical Layer LIN Receiver, RXD Load Conditions: Internal Pull-up R_{RXD} = 5 kΩ, C_{RXD} = 20 pF								
11.1	Propagation delay of receiver (Figure 8-1 on page 24)	V _S = 7.0V to 18V t _{rx_pdr} = max(t _{rx_pdr} , t _{rx_pdf})		t _{rx_pdr}			6	μs	A
11.2	Symmetry of receiver propagation delay rising edge minus falling edge	V _S = 7.0V to 18V t _{rx_sym} = t _{rx_pdr} - t _{rx_pdf}		t _{rx_sym}	-2		+2	μs	A
12	NRES Open Drain Output Pin								
12.1	Low-level output voltage	V _S ≥ 5.5V I _{nres} = 1 mA I _{nres} = 250 μA		V _{NRESL}			0.2 0.14	V V	A
12.2	Low-level output low	10 kΩ to V _{CC} V _{CC} = 0V		V _{NRESLL}			0.2	V	A
12.3	Undervoltage reset time	V _{VS} ≥ 5.5V C _{NRES} = 20 pF		T _{reset}	2	4	6	ms	A
12.4	Reset debounce time for falling edge	V _{VS} ≥ 5.5V C _{NRES} = 20 pF		T _{res_f}	1.5		10	μs	A

*) Type means: A = 100% tested, B = 100% correlation tested, C = Characterized on samples, D = Design parameter

8. Electrical Characteristics (Continued)

5V < V_S < 27V, -40°C < T_j < 150°C, unless otherwise specified. All values refer to GND pins

No.	Parameters	Test Conditions	Pin	Symbol	Min.	Typ.	Max.	Unit	Type*
13	Watchdog Oscillator								
13.1	Voltage at WD_OSC in Normal Mode	I _{WD_OSC} = -200 μA V _{VS} ≥ 4V		V _{WD_OSC}	1.13	1.23	1.33	V	A
13.2	Positive values of resistor			R _{OSC}	34		120	kΩ	A
13.3	Oscillator period	R _{OSC} = 34 kΩ		t _{OSC}	10.65	13.3	15.97	μs	A
13.4	Oscillator period	R _{OSC} = 51 kΩ		t _{OSC}	15.68	19.6	23.52	μs	A
13.5	Oscillator period	R _{OSC} = 91 kΩ		t _{OSC}	26.83	33.5	40.24	μs	A
13.6	Oscillator period	R _{OSC} = 120 kΩ		t _{OSC}	34.2	42.8	51.4	μs	A
14	Watchdog Timing Relative to t_{OSC}								
14.1	Watchdog lead time after Reset			t _d		7895		cycles	A
14.2	Watchdog closed window			t ₁		1053		cycles	A
14.3	Watchdog open window			t ₂		1105		cycles	A
14.4	Watchdog reset time NRES			t _{nres}	3.2	4	4.8	ms	A
15	KL_15 Pin								
15.1	High-level input voltage R _V = 50 kΩ	Positive edge initializes a wake-up		V _{KL_15H}	4		V _S + 0.3V	V	A
15.2	Low-level input voltage R _V = 50 kΩ			V _{KL_15L}	-1		+2	V	A
15.3	KL_15 pull-down current	V _S < 27V V _{KL_15} = 27V		I _{KL_15}		50	60	μA	A
15.4	Internal debounce time	Without external capacitor		T _{db_KL_15}	80	160	250	μs	A
15.5	KL_15 wake-up time (R _V = 50 kΩ, C = 100 nF)	R _V = 50 kΩ, C = 100 nF		T _{w_KL_15}	0.4	2	4.5	ms	C
16	WAKE Pin								
16.1	High-level input voltage			V _{WAKEH}	V _S - 1V		V _S + 0.3V	V	A
16.2	Low-level input voltage	Initializes a wake-up signal		V _{WAKEL}	-1		V _S - 3.3V	V	A
16.3	WAKE pull-up current	V _S < 27V V _{WAKE} = 0V		I _{WAKE}	-30	-10		μA	A
16.4	High-level leakage current	V _S = 27V V _{WAKE} = 27V		I _{WAKEL}	-5		+5	μA	A
16.5	Time of low pulse for wake-up via WAKE pin	V _{WAKE} = 0V		I _{WAKEL}	30	70	150	μs	A

*) Type means: A = 100% tested, B = 100% correlation tested, C = Characterized on samples, D = Design parameter

8. Electrical Characteristics (Continued)

5V < V_S < 27V, -40°C < T_j < 150°C, unless otherwise specified. All values refer to GND pins

No.	Parameters	Test Conditions	Pin	Symbol	Min.	Typ.	Max.	Unit	Type*
17	VCC Voltage Regulator ATA6622								
17.1	Output voltage VCC	4V < V _S < 18V (0 mA to 50 mA)		VCC _{nor}	3.234		3.366	V	A
17.2	Output voltage VCC at low VS	3V < V _S < 4V		VCC _{low}	V _S - V _{Drop}		3.366	V	A
17.3	Regulator drop voltage	V _S > 3V I _{VCC} = -15 mA		V _{Drop1}			200	mV	A
17.4	Regulator drop voltage	V _S > 3V I _{VCC} = -50 mA		V _{Drop2}		500	700	mV	A
17.5	Line regulation	4V < V _S < 18V		VCC _{line}			1	%	A
17.6	Load regulation	5 mA < I _{VCC} < 50 mA		VCC _{load}		0.5	2	%	A
17.7	Power supply ripple rejection	10 Hz to 100 kHz C _{VCC} = 10 μF V _S = 14V, I _{VCC} = -15 mA			50			dB	A
17.8	Output current limitation	V _S > 4V		I _{VCCs}	-200	-160		mA	A
17.9	Load capacity	1Ω < ESR < 5Ω @ 100 kHz		C _{load}	1.8	10		μF	D
17.10	VCC undervoltage threshold	Referred to VCC V _S > 4V		V _{thunN}	2.8		3.2	V	A
17.11	Hysteresis of undervoltage threshold	Referred to VCC V _S > 4V		V _{hys_{thun}}		150		mV	A
17.12	Ramp-up time V _S > 4V to V _{CC} = 3.3V	C _{VCC} = 2.2 μF I _{load} = -5 mA at VCC		T _{VCC}		100	250	μs	A
18	VCC Voltage Regulator ATA6624/ATA6626								
18.1	Output voltage VCC	5.5V < V _S < 18V (0 mA to 50 mA)		VCC _{nor}	4.9		5.1	V	A
18.2	Output voltage VCC at low VS	4V < V _S < 5.5V		VCC _{low}	V _S - V _D		5.1	V	A
18.3	Regulator drop voltage	V _S > 4V I _{VCC} = -20 mA		V _{D1}			250	mV	A
18.4	Regulator drop voltage	V _S > 4V I _{VCC} = -50 mA		V _{D2}		400	600	mV	A
18.5	Regulator drop voltage	V _S > 3.3V I _{VCC} = -15 mA		V _{D3}			200	mV	A
18.6	Line regulation	5.5V < V _S < 18V		VCC _{line}			1	%	A
18.7	Load regulation	5 mA < I _{VCC} < 50 mA 100 kHz		VCC _{load}		0.5	2	%	A
18.8	Output current limitation	V _S > 5.5V		I _{VCCs}	-200	-130		mA	A
18.9	Load capacity	1Ω < ESR < 5Ω		V _{thunN}	1.8	10		μF	D
18.10	VCC undervoltage threshold	Referred to VCC V _S > 5.5V		V _{thunN}	4.2		4.8	V	A
18.11	Hysteresis of undervoltage threshold	Referred to VCC V _S > 5.5V		V _{hys_{thun}}		250		mV	A
18.12	Ramp-up time V _S > 5.5V to V _{CC} = 5V	C _{VCC} = 2.2 μF I _{load} = -5 mA at VCC		t _{VCC}		130	300	μs	A

*) Type means: A = 100% tested, B = 100% correlation tested, C = Characterized on samples, D = Design parameter

Figure 8-1. Definition of Bus Timing Characteristics

www.DataSheet4U.com

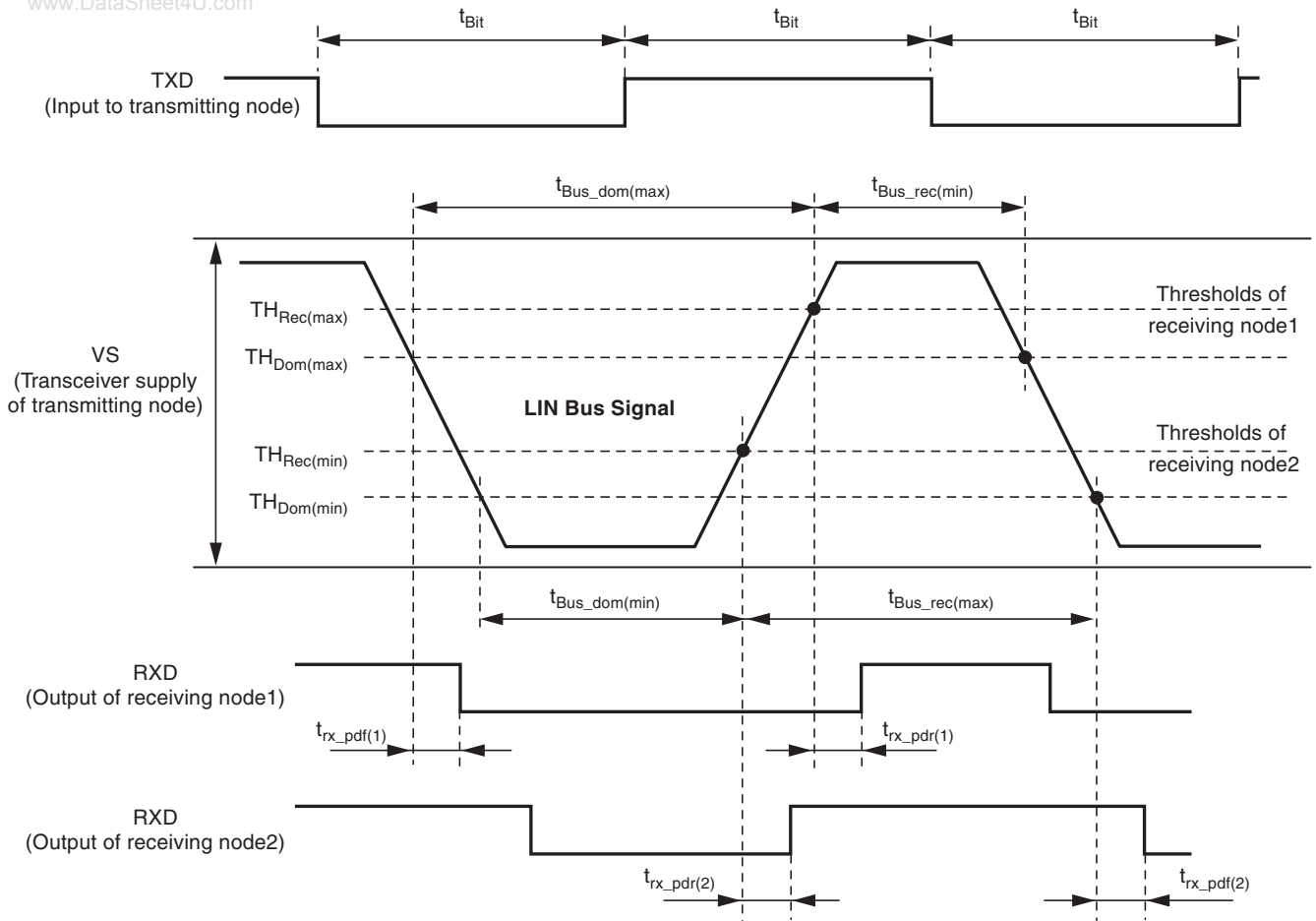


Figure 8-2. Application Circuit

www.DataSheet4U.com

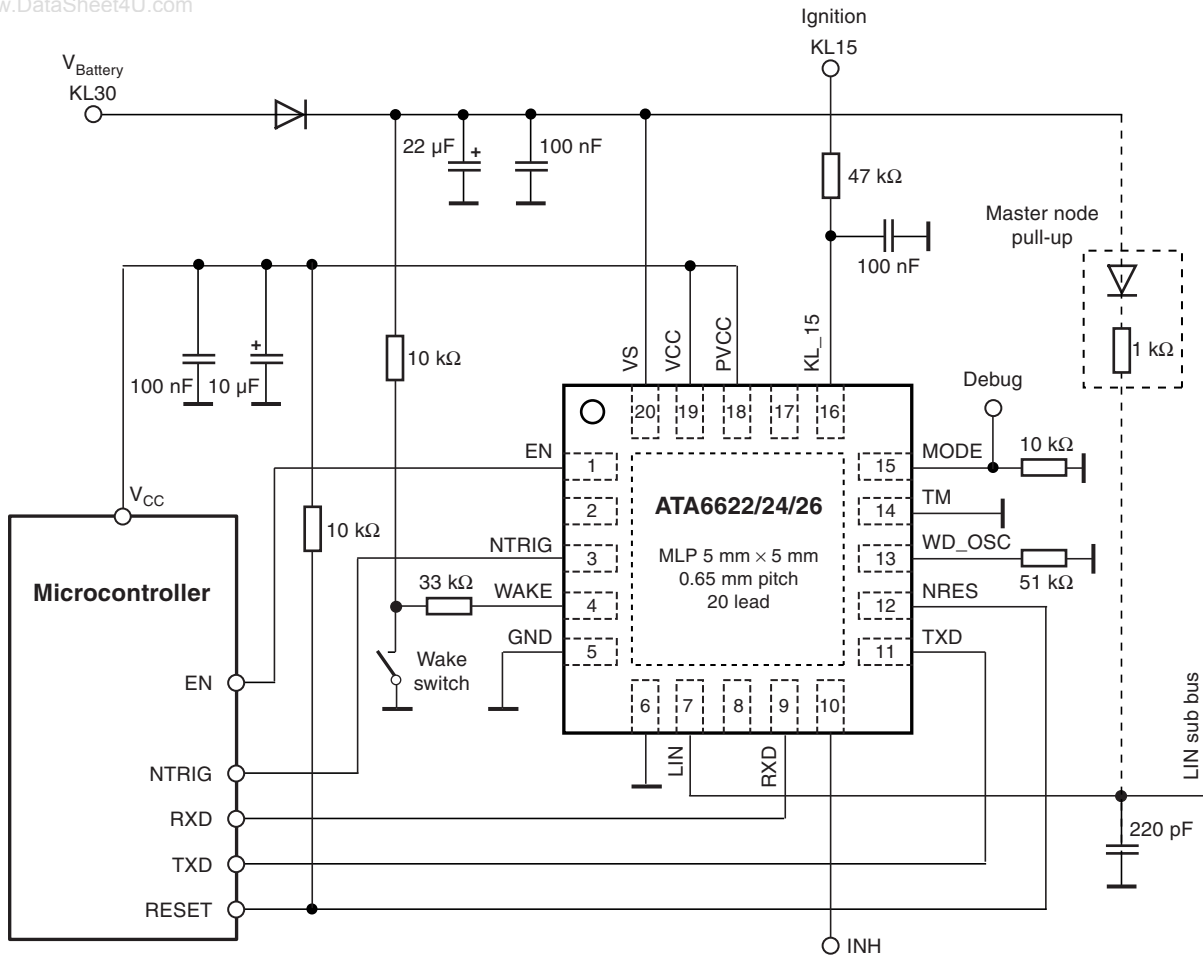
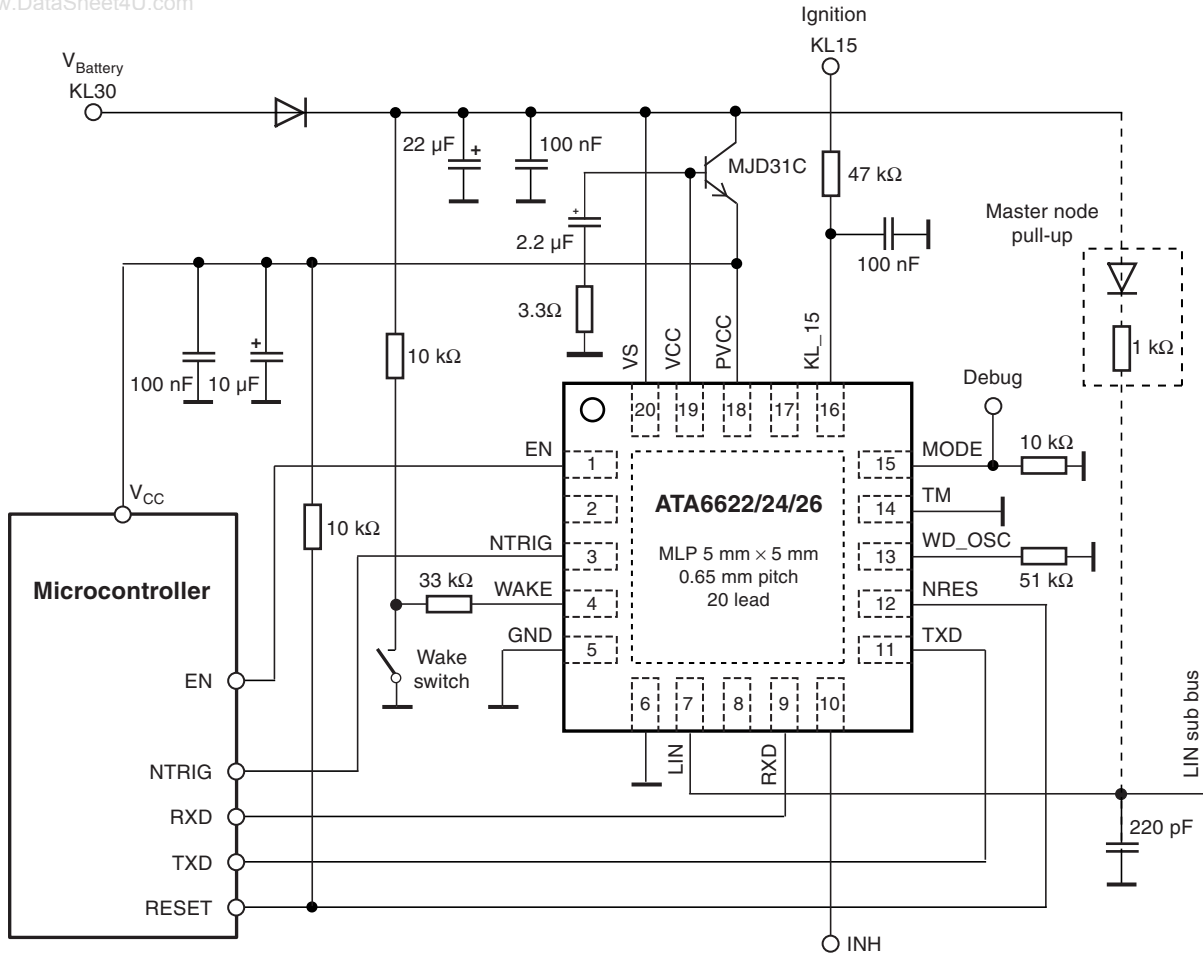


Figure 8-3. Application Circuit with External NPN

www.DataSheet4U.com



9. Ordering Information

Extended Type Number	Package	Remarks
ATA6622-PGPW	QFN20	3.3V LIN system-basis-chip, Pb-free, 1.5k, taped and reeled
ATA6624-PGPW	QFN20	5V LIN system-basis-chip, Pb-free, 1.5k, taped and reeled
ATA6622-PGQW	QFN20	3.3V LIN system-basis-chip, Pb-free, 6k, taped and reeled
ATA6624-PGQW	QFN20	5V LIN system-basis-chip, Pb-free, 6k, taped and reeled
ATA6626-PGQW	QFN20	5V LIN system-basis-chip, Pb-free, 6k, taped and reeled

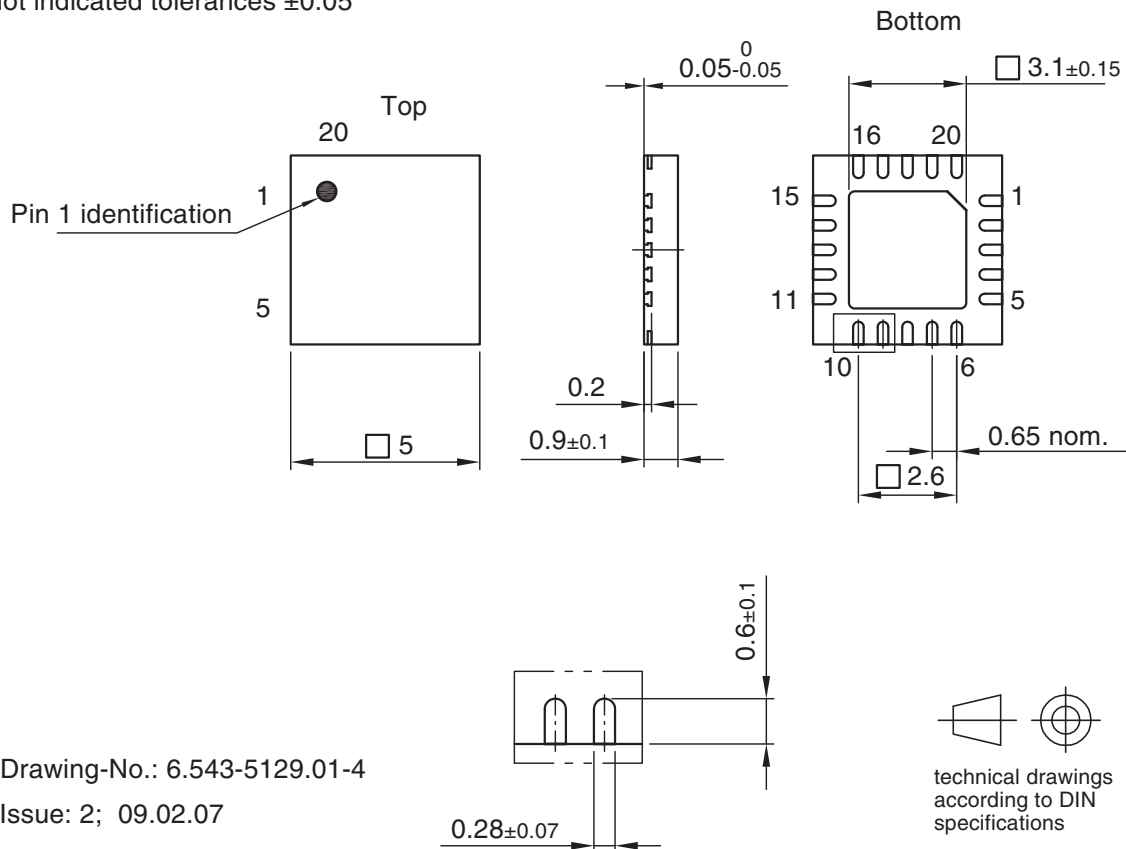
10. Package Information

Package: VQFN_5 x 5_20L

Exposed pad 3.1 x 3.1

Dimensions in mm

Not indicated tolerances ± 0.05



Drawing-No.: 6.543-5129.01-4

Issue: 2; 09.02.07

11. Revision History

www.DataSheet4U.com

Please note that the following page numbers referred to in this section refer to the specific revision mentioned, not to this document.

Revision No.	History
4986F-AUTO-05/08	<ul style="list-style-type: none"> • Section 3.15 “INH Output Pin” on page 6 changed • Section 5.5 “Fail-safe Features” on page 13 changed • Section 6.1 “Typical Timing Sequence with $R_{WD_OSC} = 51\text{ k}\Omega$” on page 15 changed • Section 8 “Electrical Characteristics” numbers 1.6 to 1.8 on page 18 changed
4986E-AUTO-02/08	<ul style="list-style-type: none"> • Figure 2-1 on page 3 renamed • Figure 6-1 “Timing Sequence with $R_{WD_OSC} = 51\text{ k}\Omega$” on page 16 changed • Figure 8-3 “Application Circuit with External NPN” on page 26 added
4986D-AUTO-10/07	<ul style="list-style-type: none"> • Section 9 “Ordering Information” on page 26 changed
4986C-AUTO-09/07	<ul style="list-style-type: none"> • Features changed • Sections 4.2, 4.3, 4.4 and 4.5 changed • Figures 4-2, 4-3, 4-4, 5-1, 5-2, 5-3, 5-6, 6-1 and 6-2 changed • Section 7 “Absolute Maximum Ratings” changed” • Section 8 “Electrical Characteristics”: numbers 17.9 and 18.9 changed
4986B-AUTO-06/07	<ul style="list-style-type: none"> • Put datasheet into a new template • Part number ATA6626 added • Features changed • Description text changed • Figure 1-1 “Block Diagram” changed • Figure 2-1 “Pinning SO8 changed” • Figure 4-3 “LIN Wake Up from Silent Mode” changed • Figure 4-5 “LIN Wake Up from Sleep Mode” changed • Sections 3.2, 3.4, 3.7, 3.8, 3.9, 3.10, 3.11, 3.12, 3.13 and 3.14 changed • Sections 4.2, 4.3, 4.4, 4.5, 5.1, 5.2, 5.3, 5.5, 5.6, 6.1 and 6.2 changed • Section 8 “Electrical Characteristics”: numbers 1.3, 3.5, 8.4, 12.1, 15.5, 17.9, 18 and 18.9 changed • Figure 8-2 “Application Circuit” changed • Section 9 “Ordering Information” changed • Section 10 “Package Information” changed



www.DataSheet4U.com

Headquarters

Atmel Corporation
2325 Orchard Parkway
San Jose, CA 95131
USA
Tel: 1(408) 441-0311
Fax: 1(408) 487-2600

International

Atmel Asia
Room 1219
Chinachem Golden Plaza
77 Mody Road Tsimshatsui
East Kowloon
Hong Kong
Tel: (852) 2721-9778
Fax: (852) 2722-1369

Atmel Europe
Le Krebs
8, Rue Jean-Pierre Timbaud
BP 309
78054
Saint-Quentin-en-Yvelines Cedex
France
Tel: (33) 1-30-60-70-00
Fax: (33) 1-30-60-71-11

Atmel Japan
9F, Tonetsu Shinkawa Bldg.
1-24-8 Shinkawa
Chuo-ku, Tokyo 104-0033
Japan
Tel: (81) 3-3523-3551
Fax: (81) 3-3523-7581

Product Contact

Web Site
www.atmel.com

Technical Support
auto_control@atmel.com

Sales Contact
www.atmel.com/contacts

Literature Requests
www.atmel.com/literature

Disclaimer: The information in this document is provided in connection with Atmel products. No license, express or implied, by estoppel or otherwise, to any intellectual property right is granted by this document or in connection with the sale of Atmel products. **EXCEPT AS SET FORTH IN ATMEL'S TERMS AND CONDITIONS OF SALE LOCATED ON ATMEL'S WEB SITE, ATMEL ASSUMES NO LIABILITY WHATSOEVER AND DISCLAIMS ANY EXPRESS, IMPLIED OR STATUTORY WARRANTY RELATING TO ITS PRODUCTS INCLUDING, BUT NOT LIMITED TO, THE IMPLIED WARRANTY OF MERCHANTABILITY, FITNESS FOR A PARTICULAR PURPOSE, OR NON-INFRINGEMENT. IN NO EVENT SHALL ATMEL BE LIABLE FOR ANY DIRECT, INDIRECT, CONSEQUENTIAL, PUNITIVE, SPECIAL OR INCIDENTAL DAMAGES (INCLUDING, WITHOUT LIMITATION, DAMAGES FOR LOSS OF PROFITS, BUSINESS INTERRUPTION, OR LOSS OF INFORMATION) ARISING OUT OF THE USE OR INABILITY TO USE THIS DOCUMENT, EVEN IF ATMEL HAS BEEN ADVISED OF THE POSSIBILITY OF SUCH DAMAGES.** Atmel makes no representations or warranties with respect to the accuracy or completeness of the contents of this document and reserves the right to make changes to specifications and product descriptions at any time without notice. Atmel does not make any commitment to update the information contained herein. Unless specifically provided otherwise, Atmel products are not suitable for, and shall not be used in, automotive applications. Atmel's products are not intended, authorized, or warranted for use as components in applications intended to support or sustain life.

© 2008 Atmel Corporation. All rights reserved. Atmel®, logo and combinations thereof, and others are registered trademarks or trademarks of Atmel Corporation or its subsidiaries. Other terms and product names may be trademarks of others.