

VI TELEFILTER

Filter specification

TFS 125L

1/5

Measurement condition

Ambient temperature:	23	°C
Input power level:	0	dBm
Terminating impedance: *		
Input:	650 Ω -14,5 pF	
Output:	750 Ω -12,8 pF	

Characteristics

Remark:

The reference level for the relative attenuation a_{rel} of the TFS 125L is the minimum of the pass band attenuation. This value is defined as the insertion loss a_e . The nominal frequency f_N is fixed at 125 MHz without any tolerance. The values of relative attenuation a_{rel} are guaranteed for the whole operating temperature range. The frequency shift of the filter in the operating temperature range is included in the production tolerance scheme.

Data	typ. value		tolerance / limit	
Insertion loss (reference level)	a_e	5,7 dB	min.	7 dB
Nominal frequency	f_N	-		125 MHz
Passband			f_N	± 200 kHz
Pass band ripple		-	max.	1 dB
Relative attenuation	a_{rel}			
f_N	... f_N ± 200 kHz	0,6 dB	max.	1 dB
f_N ± 0,6 MHz	... f_N ± 1,2 MHz	11 dB	min.	8 dB
f_N ± 1,2 MHz	... f_N ± 1,8 MHz	30 dB	min.	20 dB
f_N ± 1,8 MHz	... f_N ± 3,4 MHz	35 dB	min.	25 dB
f_N ± 3,4 MHz	... f_N ± 6,5 MHz	45 dB	min.	34 dB
f_N ± 6,5 MHz	... f_N ± 9,5 MHz	55 dB	min.	40 dB
f_N ± 9,5 MHz	... f_N ± 17 MHz	60 dB	min.	43 dB
f_N - 115 MHz	... f_N - 17 MHz	75 dB	min.	55 dB
f_N + 17 MHz	... f_N + 325 MHz	75 dB	min.	55 dB
Group delay	at f_N	1,1 μs	max.	1,7 μs
			min.	0,7 μs
Group delay ripple within PB		60 ns	max.	120 ns
VSWR		1,5	max.	2,3
Input power level		-	max.	10 dBm
Operating temperature range	OTR	-		- 10 °C ... + 85 °C
Storage temperature range		-		- 40 °C ... + 85 °C
Frequency inversion temperature		37 °C		-
Temperature coefficient of frequency	TC_f **	-0,04 ppm/K ²		-

*) The terminating impedances depend on parasitics and q-values of matching elements and the board used, and are to be understood as reference values only. Should there be additional questions do not hesitate to ask for an application note or contact our design team.

**) $\Delta f_c(\text{Hz}) = TC_f(\text{ppm/K}^2) \times (T_o - T_A)^2 \times f_{CAT}(\text{MHz})$

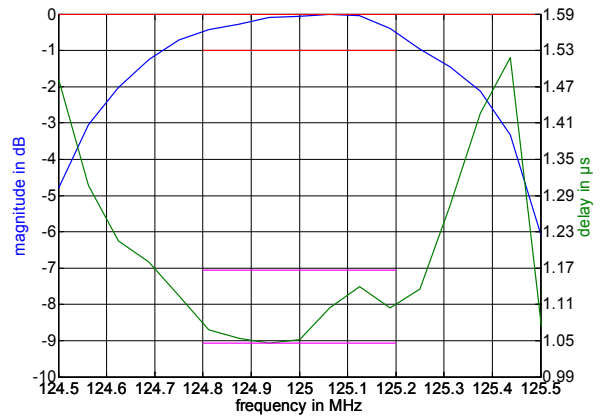
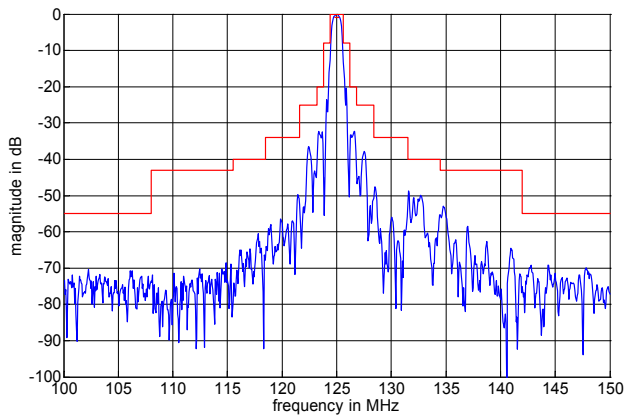
Generated:

Checked / Approved:

Tele Filter GmbH
 Potsdamer Straße 18
 D 14 513 TELTOW / Germany
 Tel: (+49) 3328 4784-0 / Fax: (+49) 3328 4784-30
 E-Mail: tft@telefilter.com

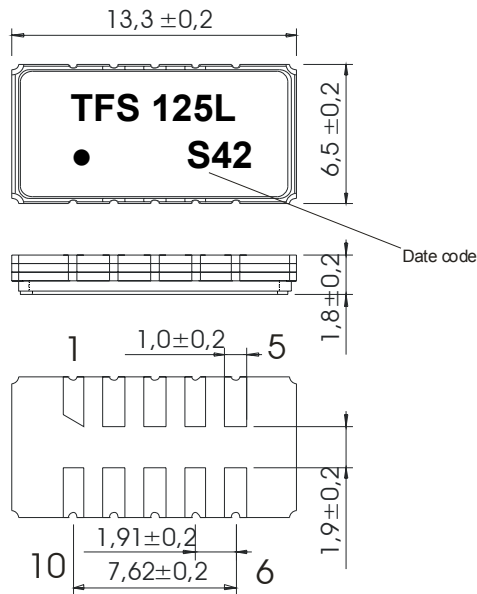
VI TELEFILTER reserves the right to make changes to the product(s) and/or information contained herein without notice. No liability is assumed as a result of their use or application. No rights under any patent accompany the sale of any such product(s) or information.

Filter characteristic



Construction and pin connection

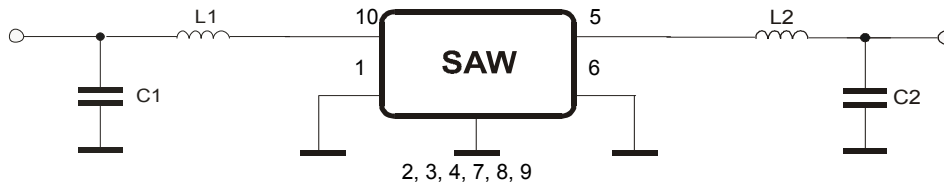
(All dimensions in mm)



- 1 Input RF Return
- 2 Ground
- 3 Ground
- 4 Ground
- 5 Output
- 6 Output RF Return
- 7 Ground
- 8 Ground
- 9 Ground
- 10 Input

Date code: Year + week
 S 2004
 T 2005
 U 2006
 ...

50 Ω Test circuit



Tele Filter GmbH
 Potsdamer Straße 18
 D 14 513 TELTOW / Germany
 Tel: (+49) 3328 4784-0 / Fax: (+49) 3328 4784-30
 E-Mail: tft@telefilter.com

VI TELEFILTER reserves the right to make changes to the product(s) and/or information contained herein without notice. No liability is assumed as a result of their use or application. No rights under any patent accompany the sale of any such product(s) or information.

Stability characteristics

After the following tests the filter shall meet the whole specification:

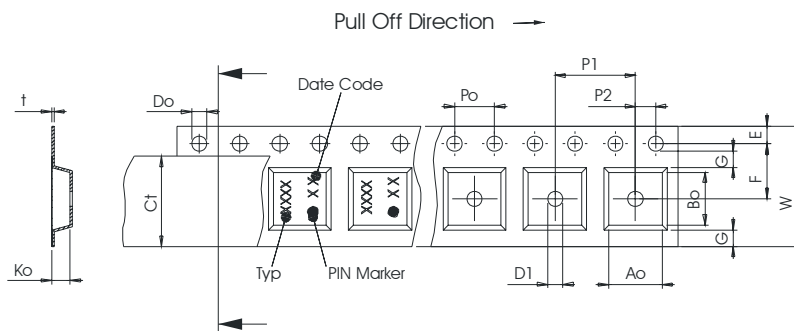
1. Shock: 500g, 18 ms, half sine wave, 3 shocks each plane;
DIN IEC 68 T2 - 27
2. Vibration: 10 Hz to 500 Hz, 0,35 mm or 5 g respectively, 1 octave per min, 10 cycles per plan, 3 plans;
DIN IEC 68 T2 - 6
3. Change of temperature: -55 °C to 125°C / 30 min. each / 10 cycles
DIN IEC 68 part 2 – 14 Test N
4. Resistance to solder heat (reflow): reflow possible: twice max.;
for temperature conditions refer to the attached "Air reflow temperature conditions" on page 4;

Packing

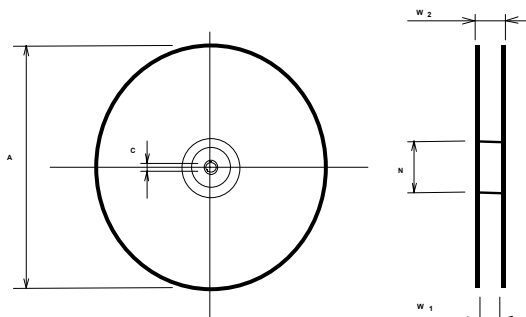
Tape & Reel: IEC 286 – 3, with exception of value for N and minimum bending radius;
tape type II, embossed carrier tape with top cover tape on the upper side;

max. pieces of filters peer reel: 1700
 reel of empty components at start: min. 300 mm
 reel of empty components at start including leader: min. 500 mm
 trailer: min. 300 mm

- Tape (all dimensions in mm)**
- W : 24,00 +0,30/-0,10
 - Po : 4,00 ± 0,1
 - Do : 1,50 +0,1/-0
 - E : 1,75 ± 0,10
 - F : 11,50 ± 0,10
 - G(min) : 0,60
 - P2 : 2,00 ± 0,1
 - P1 : 12,00 ± 0,1
 - D1(min) : 1,50
 - Ao : 7,10 ± 0,10
 - Bo : 13,90 ± 0,10
 - Ct : 21,5 ± 0,1



- Reel (all dimensions in mm)**
- A : 330
 - W1 : 24,4 +2/-0
 - W2(max) : 30,4
 - N(min) : 60
 - C : 13,0 +0,5/-0,2



The minimum bending radius is 45 mm.

Tele Filter GmbH
Potsdamer Straße 18
D 14 513 TELTOW / Germany
Tel: (+49) 3328 4784-0 / Fax: (+49) 3328 4784-30
E-Mail: tft@telefilter.com

VI TELEFILTER reserves the right to make changes to the product(s) and/or information contained herein without notice. No liability is assumed as a result of their use or application. No rights under any patent accompany the sale of any such product(s) or information.

Air reflow temperature conditionsConditions

Average ramp-up rate (30°C to 217°C)
> 100°C
> 150°C
> 217°C
Peak temperature
Time within 5°C of actual peak temperature
Cool-down rate (Peak to 50°C)
Time from 30°C to 255°C

Exposure

less than 3°C/second
between 300 and 600 seconds
between 240 and 500 seconds
between 90 and 150 seconds
255°C
between 10 and 30 seconds
less than 6°C/second
no greater than 300 seconds

All temperatures shown are +5/-0°C.

VI TELEFILTER**Filter specification****TFS 125L****5/5****History**

Version	Reason of Changes	Name	Date
1.0	- generation of specification	Steiner	12.8.04
1.1	- definition and limit for insertion loss changed - pass band bandwidth extended and limit for pass band ripple changed to 1,0 dB - limit for group delay ripple changed to 120ns - limits for relative relative attenuation modified - requirements for intermodulation removed	Pfeiffer	31.08.2004
1.2	- terminating impedance and typical values added - typical filter characteristic added - air reflow temperature conditions modified	Pfeiffer	15.10.2004

Tele Filter GmbH
Potsdamer Straße 18
D 14 513 TELTOW / Germany
Tel: (+49) 3328 4784-0 / Fax: (+49) 3328 4784-30
E-Mail: tft@telefilter.com

VI TELEFILTER reserves the right to make changes to the product(s) and/or information contained herein without notice. No liability is assumed as a result of their use or application. No rights under any patent accompany the sale of any such product(s) or information.